

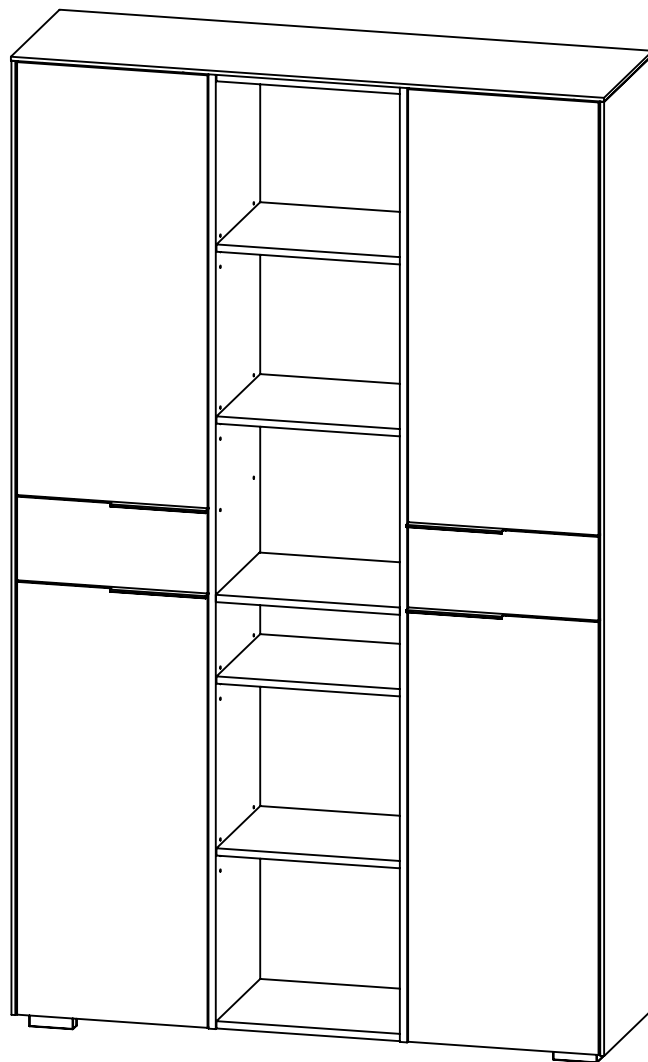
MEDIA

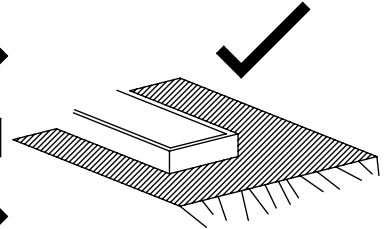
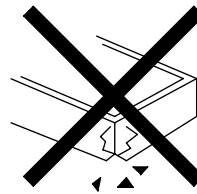
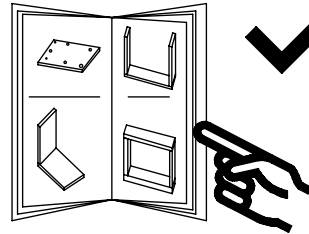
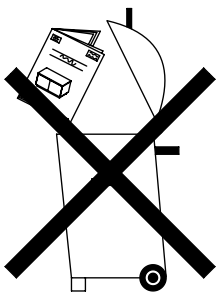
OFFICE

LIVING

MAJA
MÖBEL

K342





10.450

10.449

90343

90544

K518 = 22.209
K543 = 92271
K548 = 92273

K518 = 22.209
K543 = 92271
K548 = 92273

K518 = 21.094
K543 = 92119
K548 = 92120

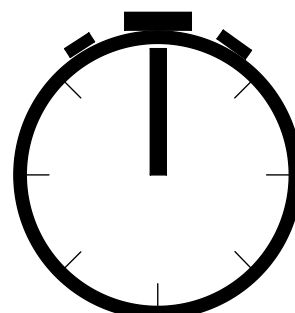
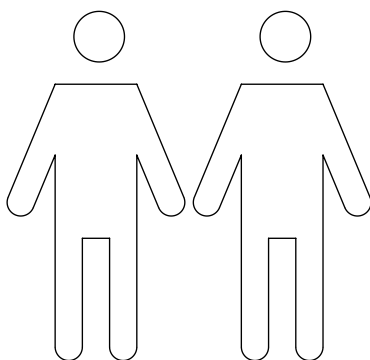
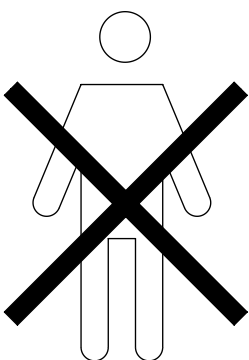
K518 = 21.094
K543 = 92119
K548 = 92120

K518 = 22.209
K543 = 92271
K548 = 92273

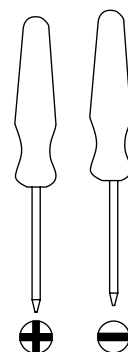
K518 = 22.209
K543 = 92271
K548 = 92273

16.162

10.449



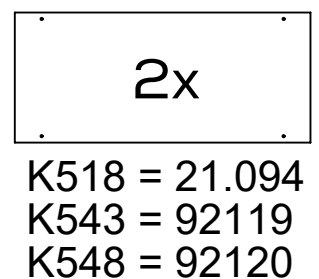
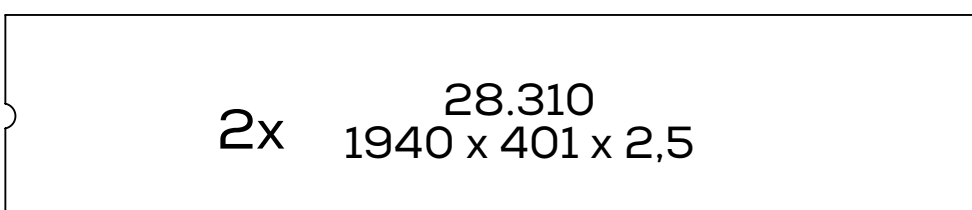
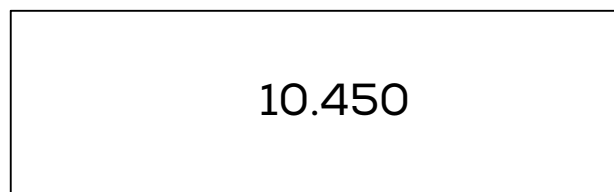
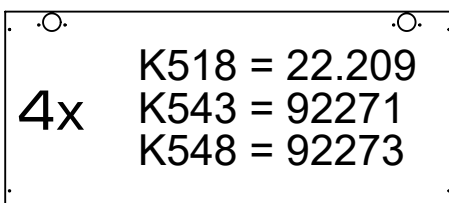
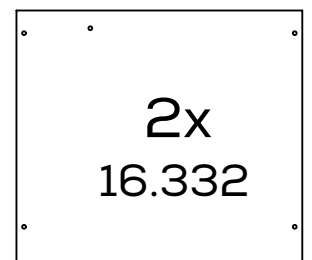
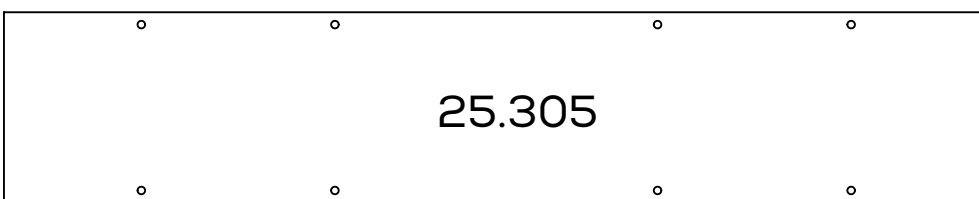
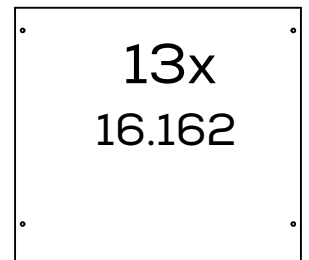
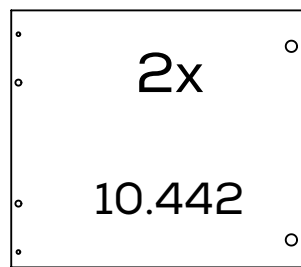
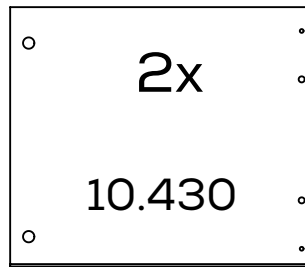
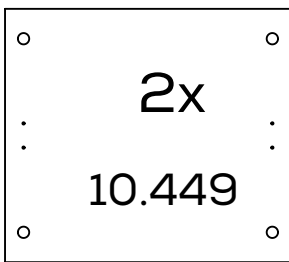
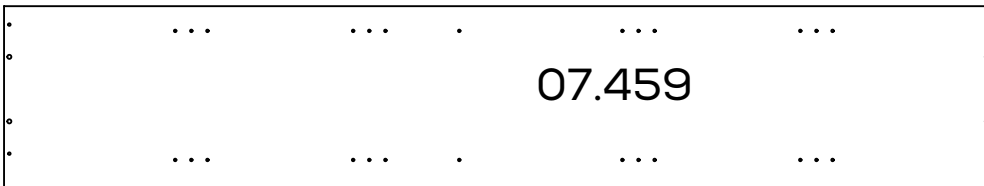
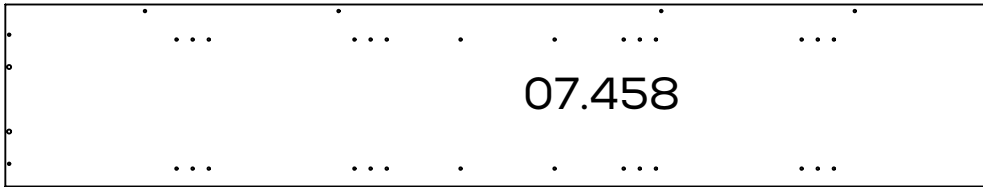
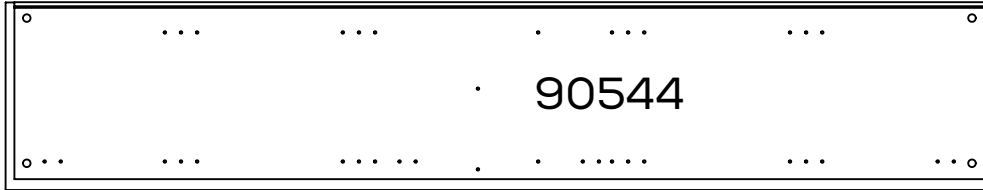
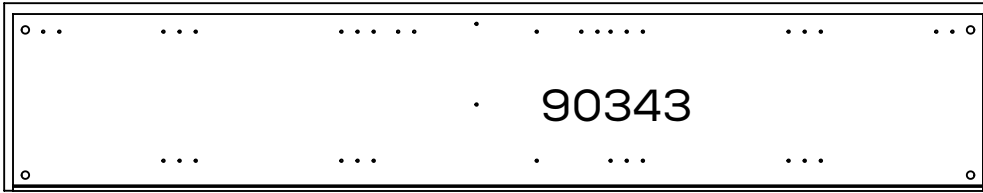
120 min

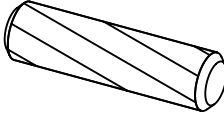

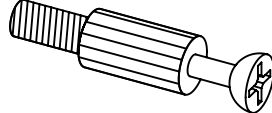
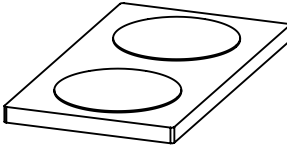




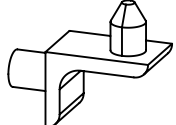
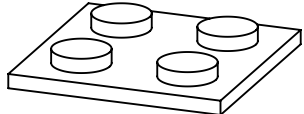
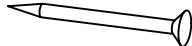
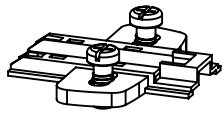
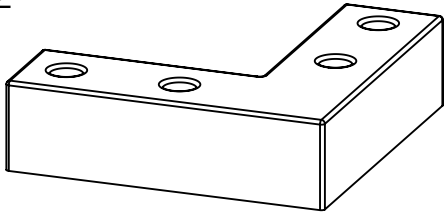
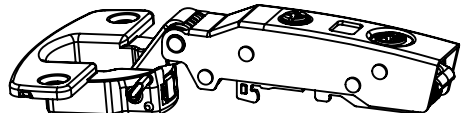
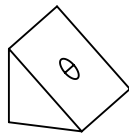

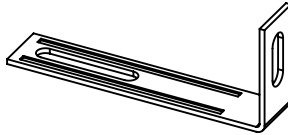



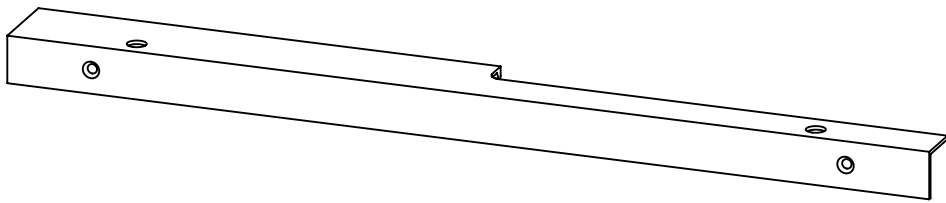
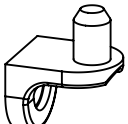
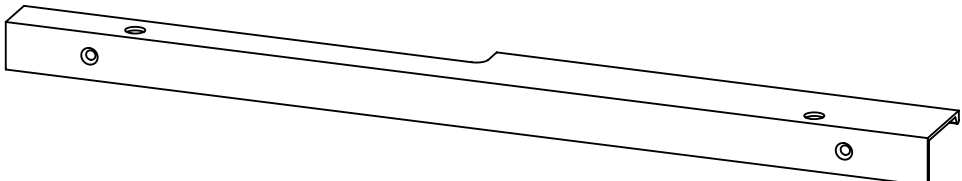


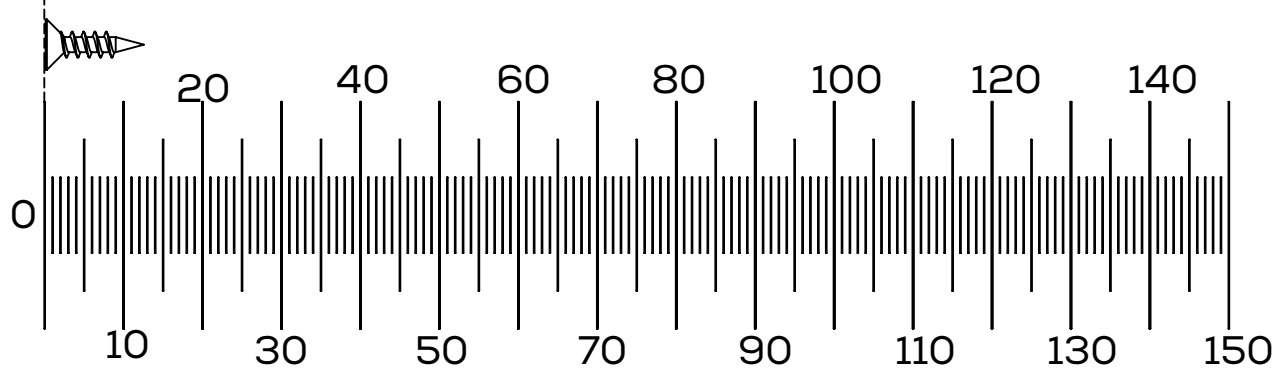
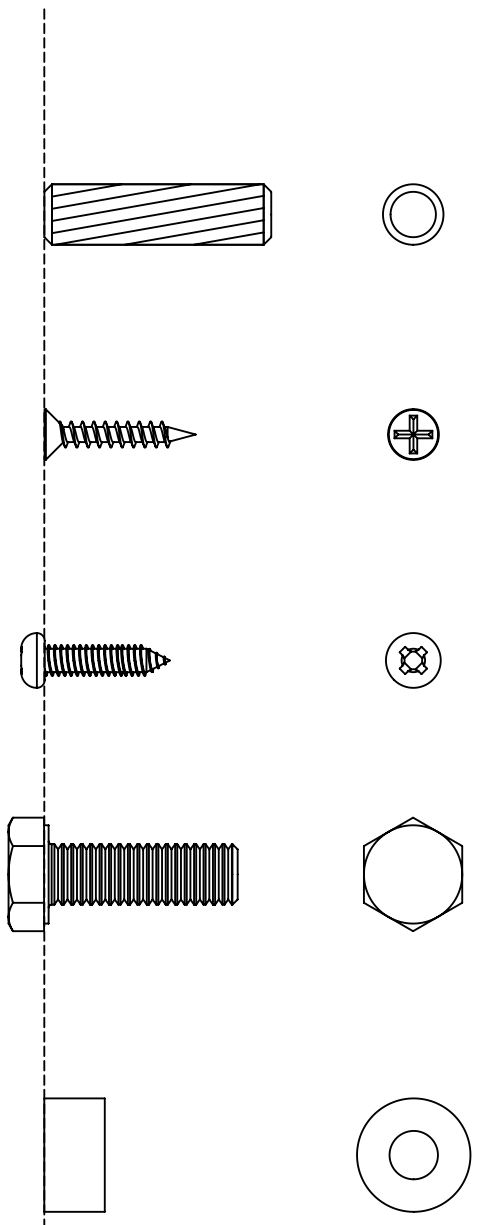
17.05.2022

1

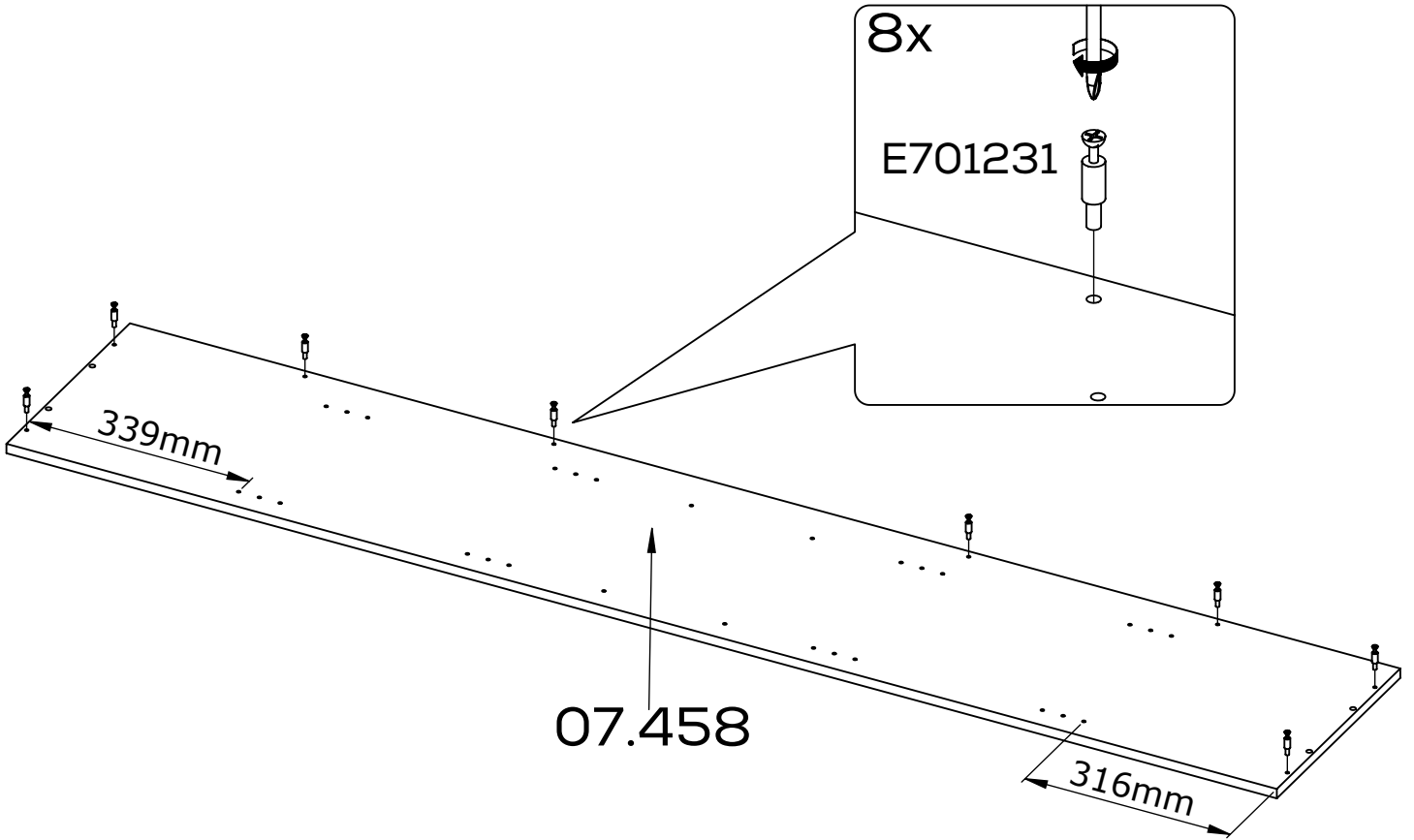
maja-moebel.de



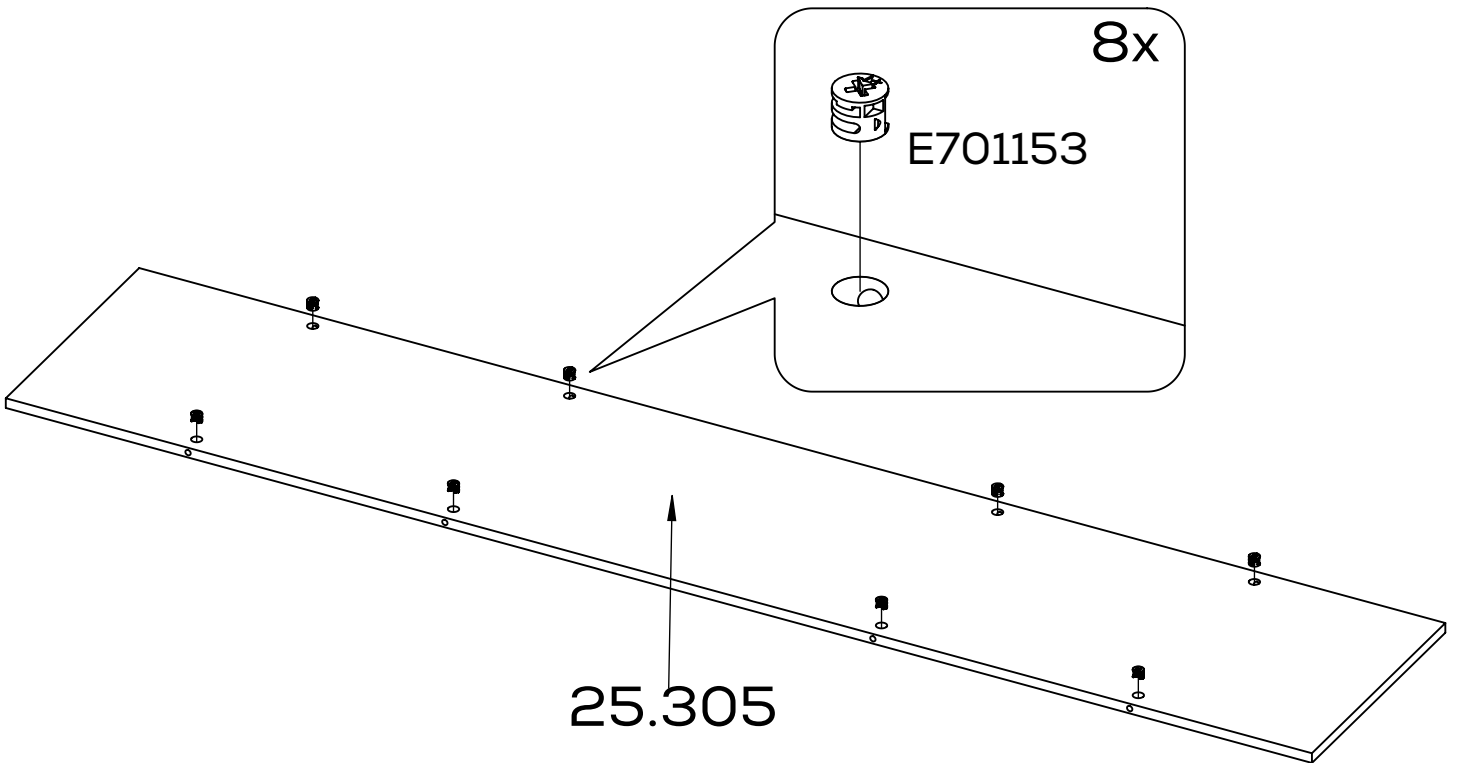
<p>E701000</p>  <p>24x</p>	<p>E701153</p>  <p>32x</p>	<p>E701231</p>  <p>32x</p>	<p>E706300</p>  <p>2x</p>
<p>E700000</p>  <p>24x Ø 4,0 x 25mm</p>	<p>E700000</p>  <p>2x Ø 4,0 x 15mm</p>	<p>E700150</p>  <p>8x Ø 6,2 x 10mm</p>	<p>E700020</p>  <p>24x Ø 3,5 x 13mm</p>
<p>E702016</p>  <p>52x</p>	<p>E709817</p>  <p>1x</p>	<p>E700905</p>  <p>30x Stk.</p>	<p>E705074</p>  <p>8x</p>
<p>E704402</p>  <p>6x</p>	<p>E705044</p>  <p>8x</p>		
<p>E701610</p>   <p>8x Stk.</p>	<p>E709318</p>  <p>2x</p>	<p>E700700</p>  <p>8x DIN 125 M4</p>	<p>E700701</p>  <p>8x 6,4 x 1,6 x 12,5</p>
<p>E700593</p>  <p>8x M6 x 70mm</p>	<p>E710381</p>  <p>2x</p>		
<p>E702018</p>  <p>8x</p>	<p>E710382</p>  <p>2x</p>		



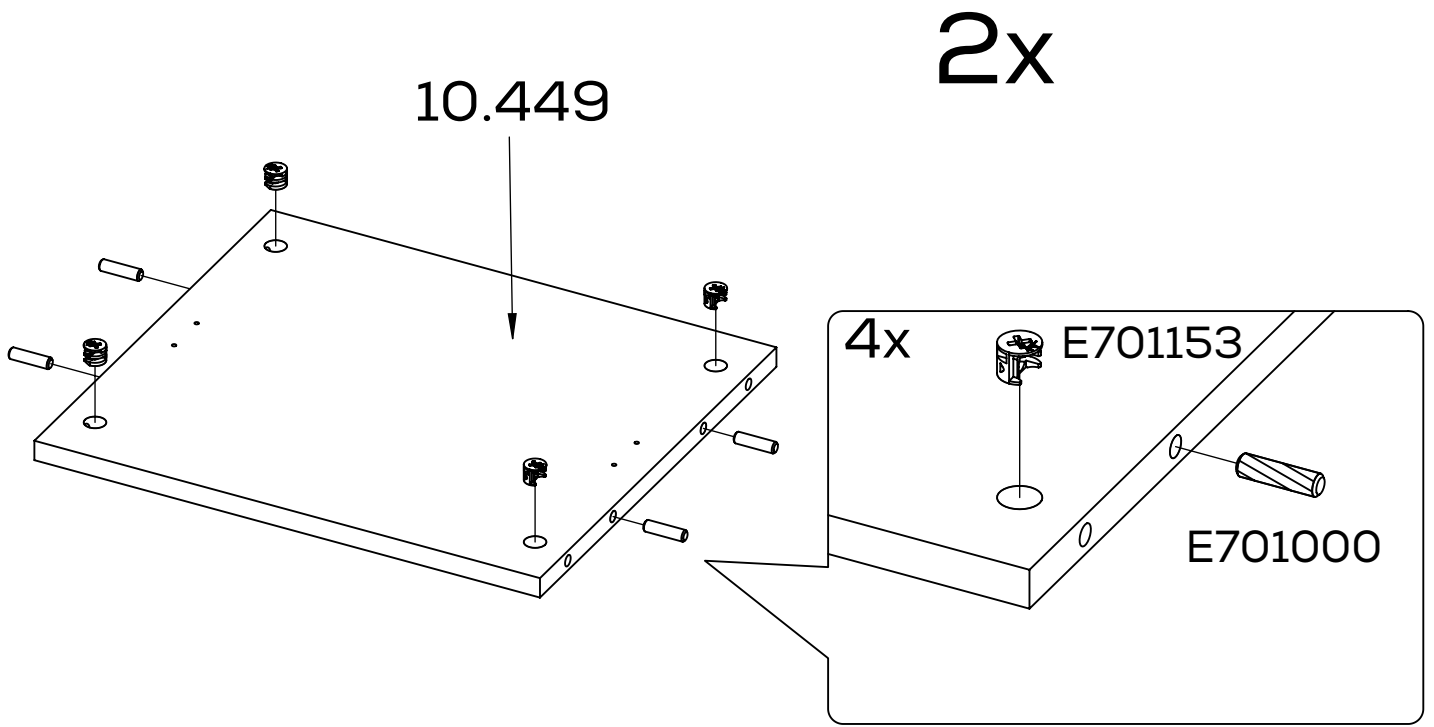
1



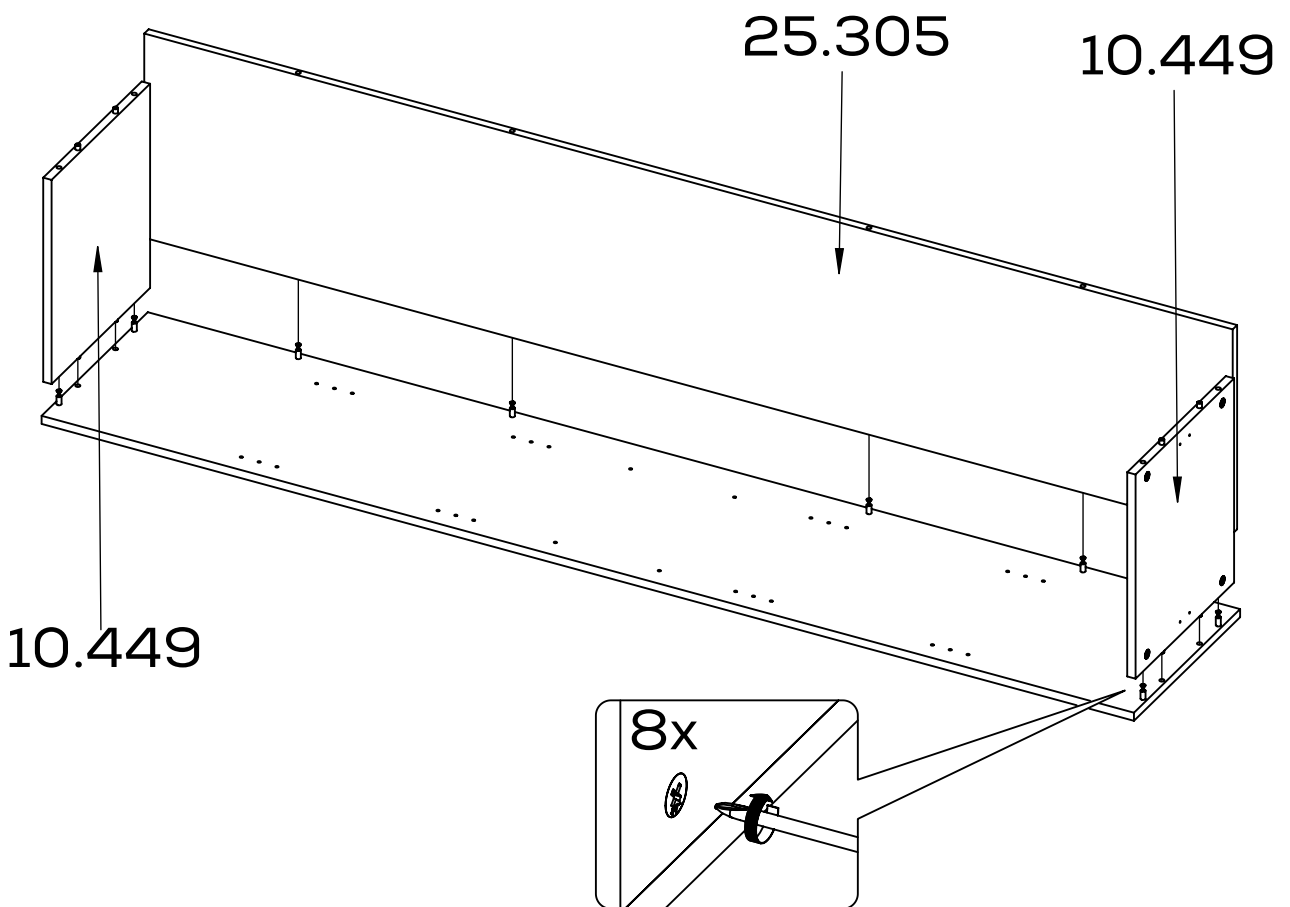
2



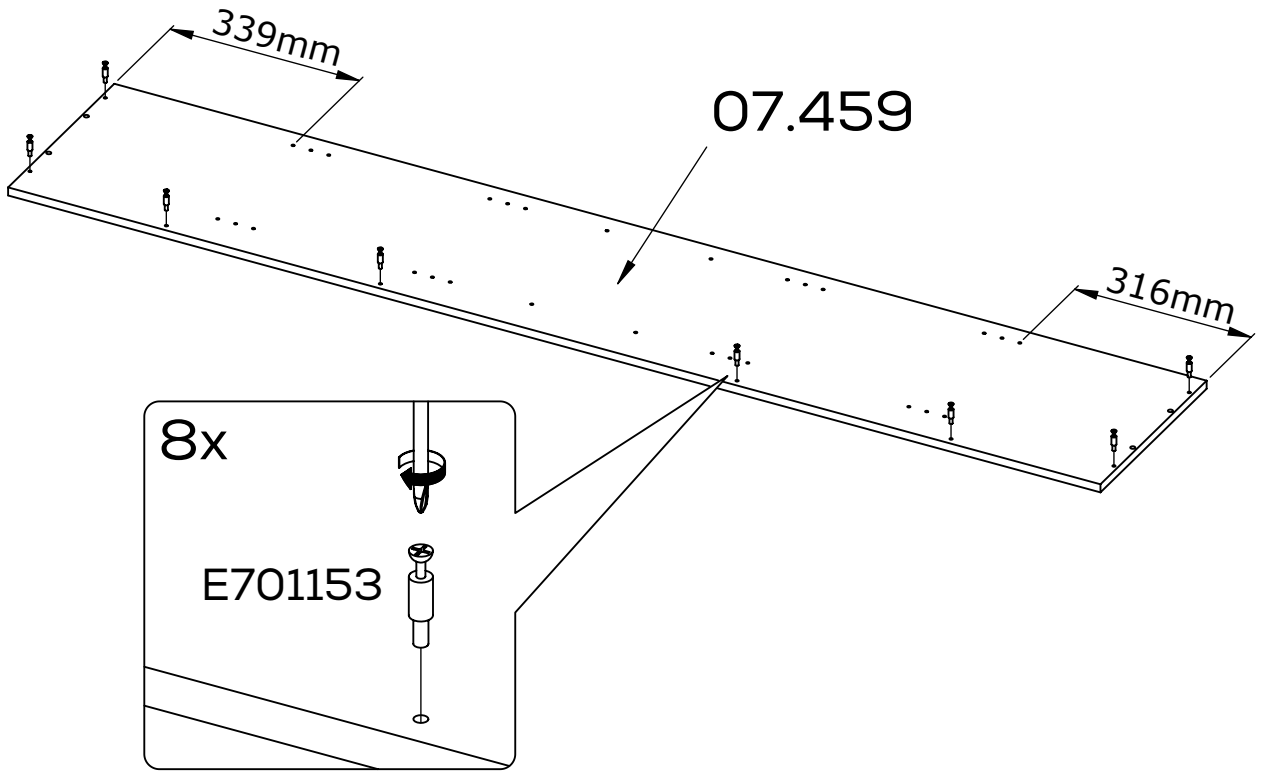
3



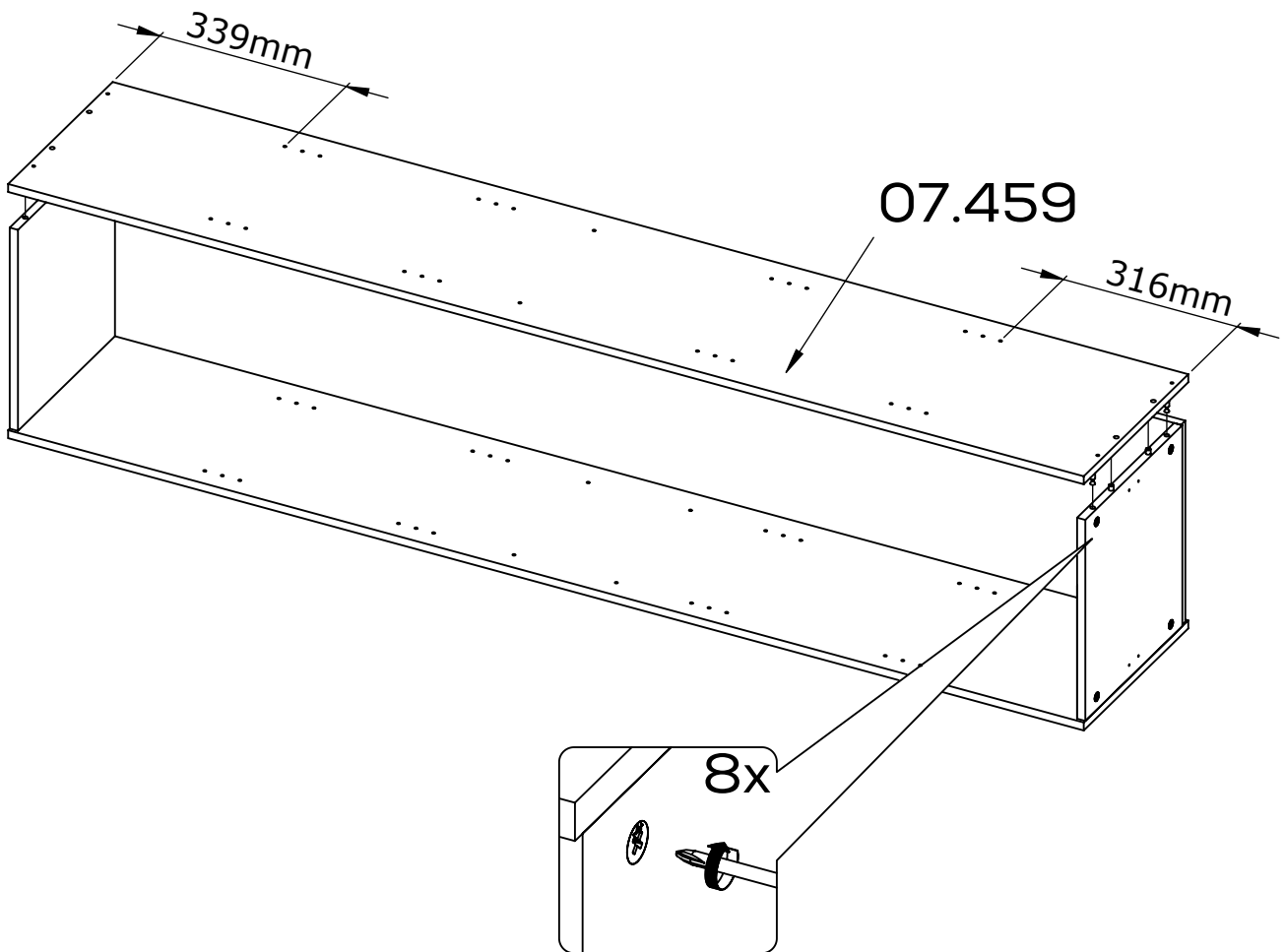
4

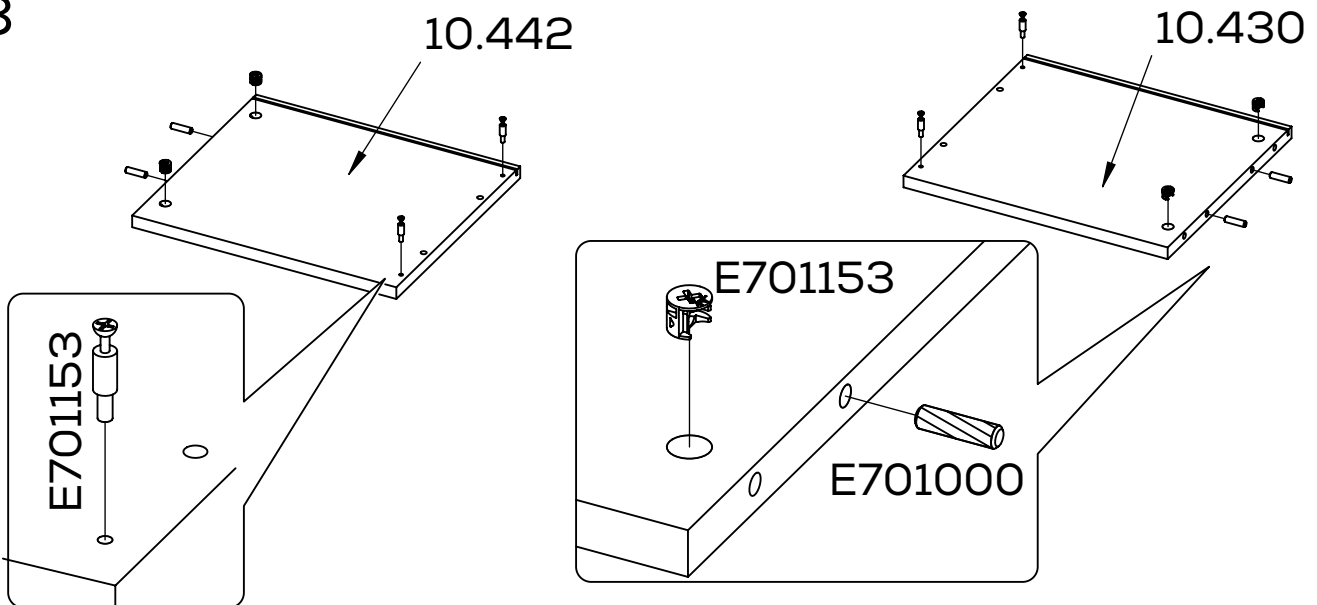
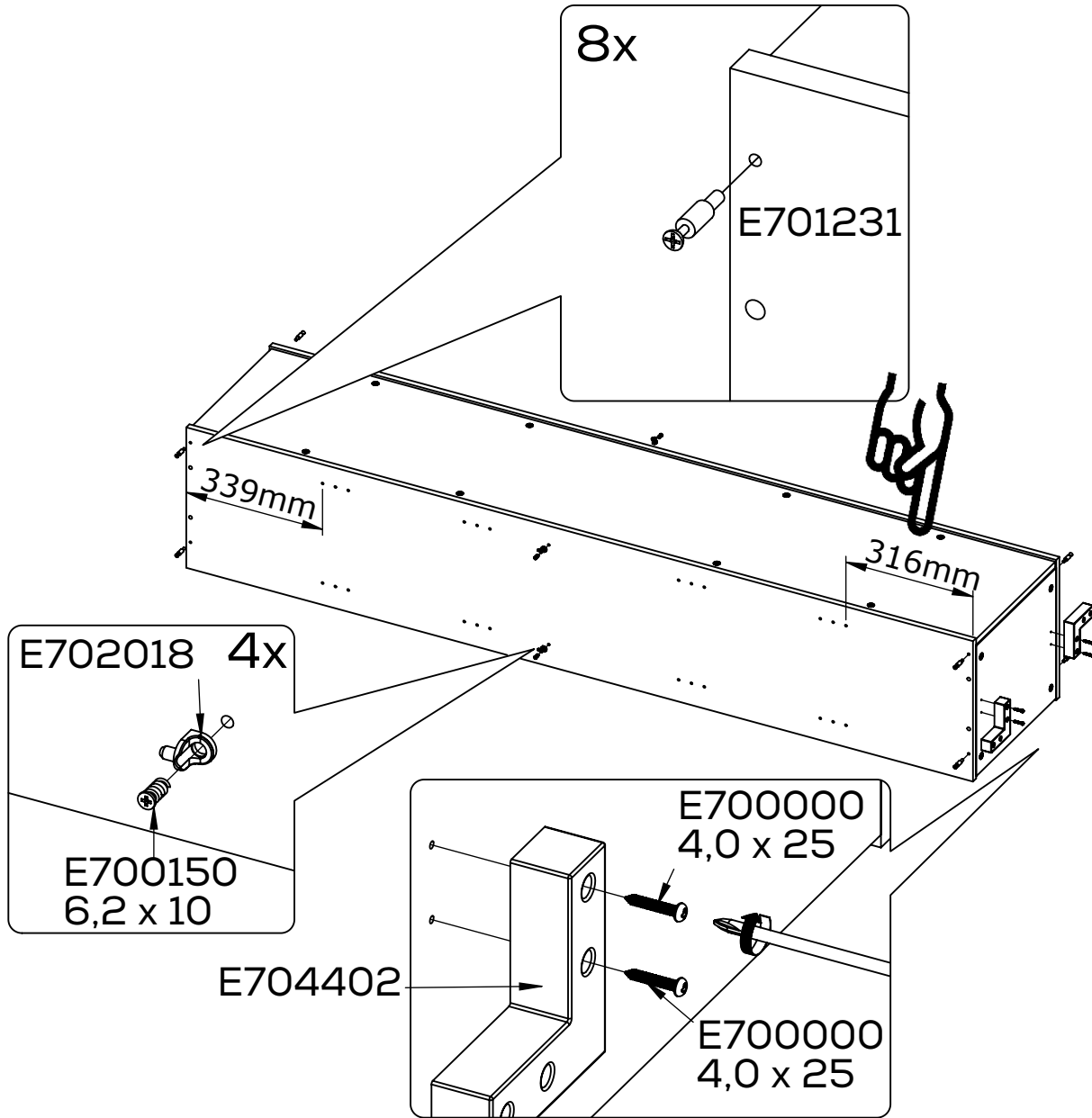


5

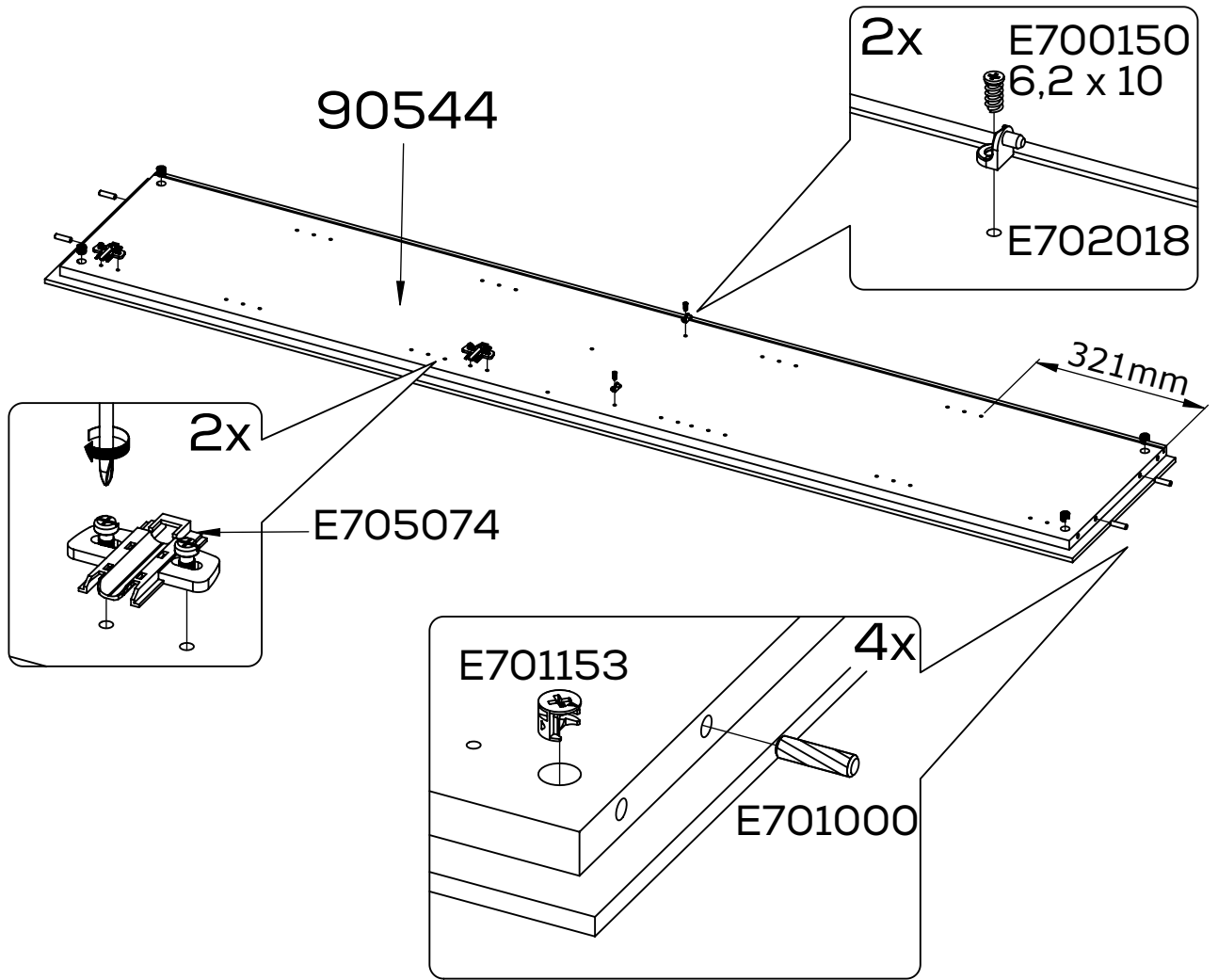


6

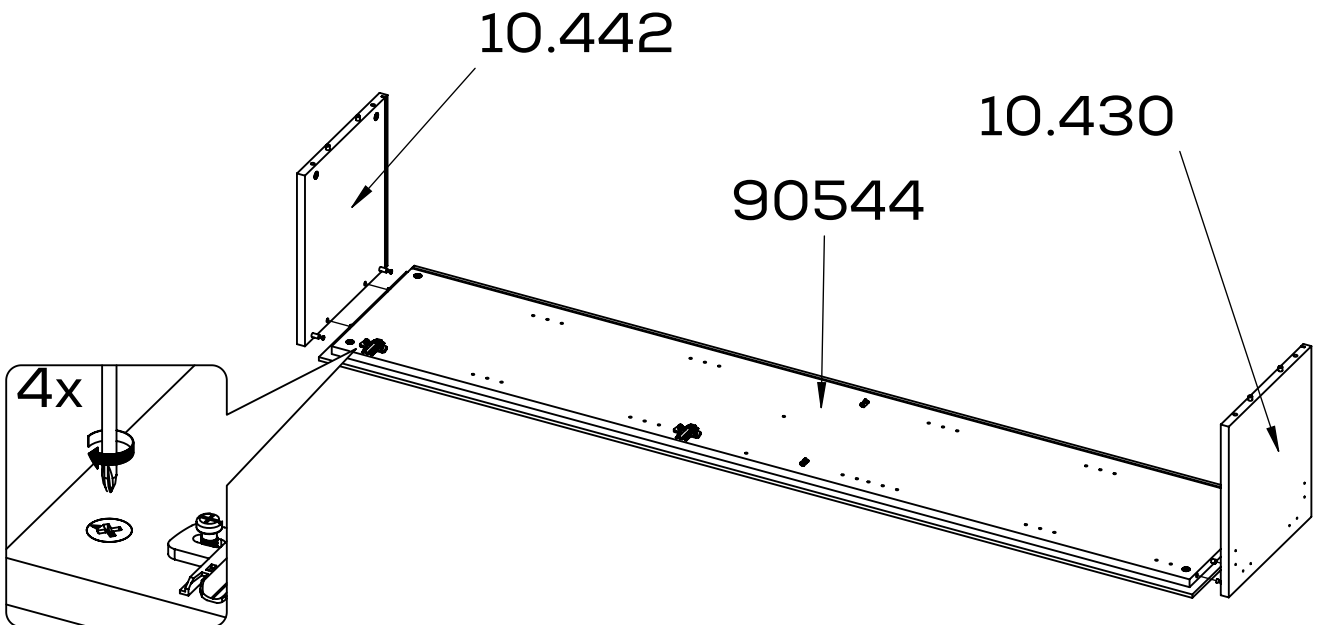


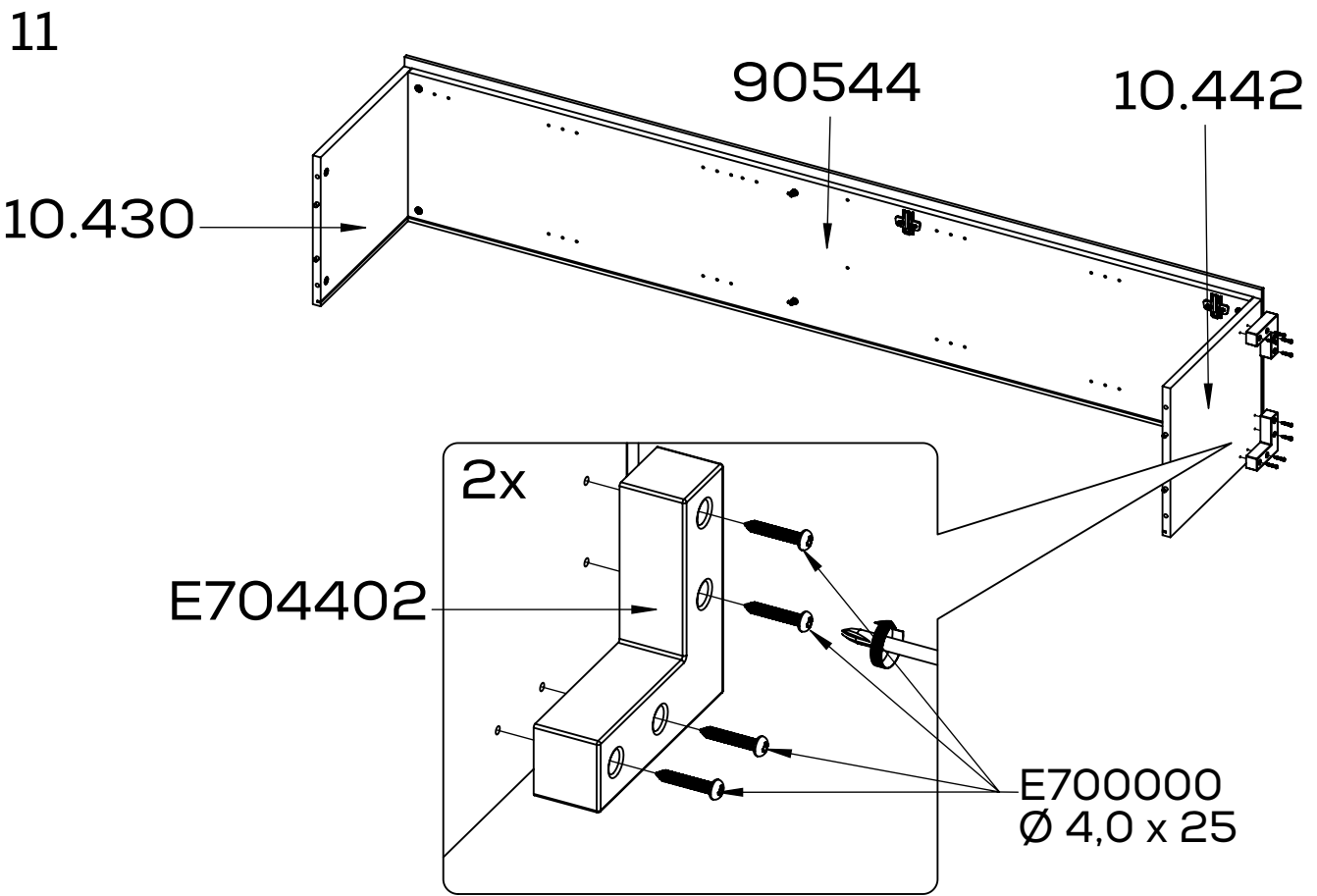


9

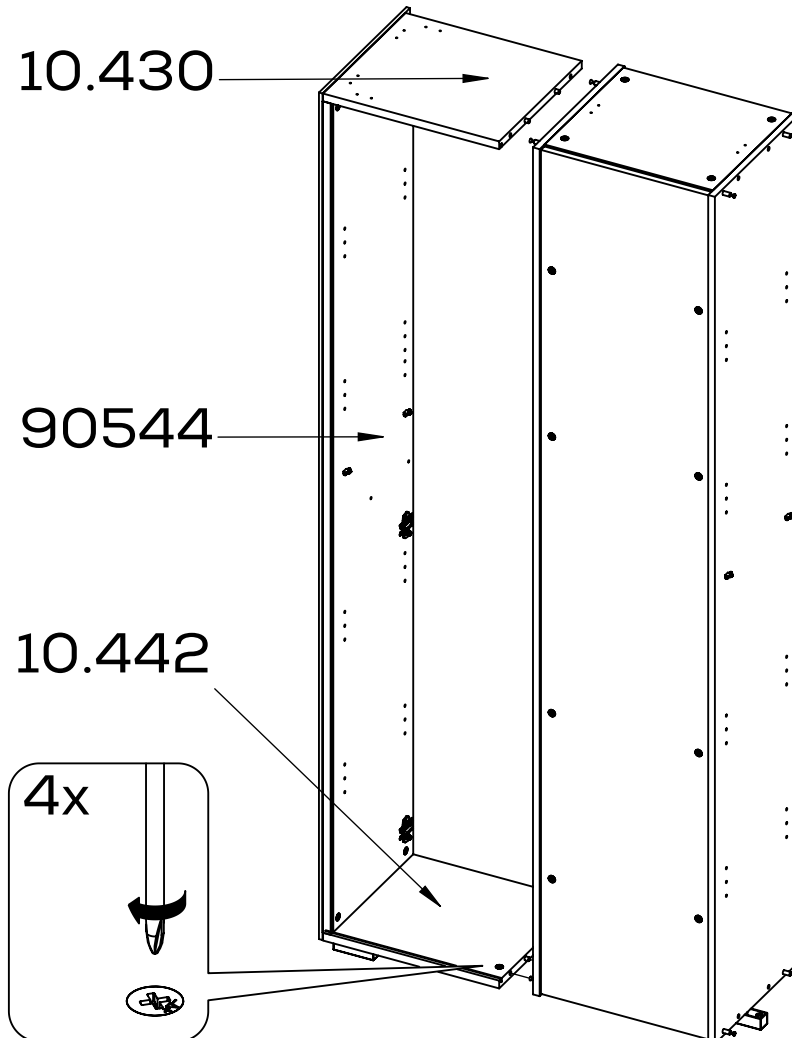


10



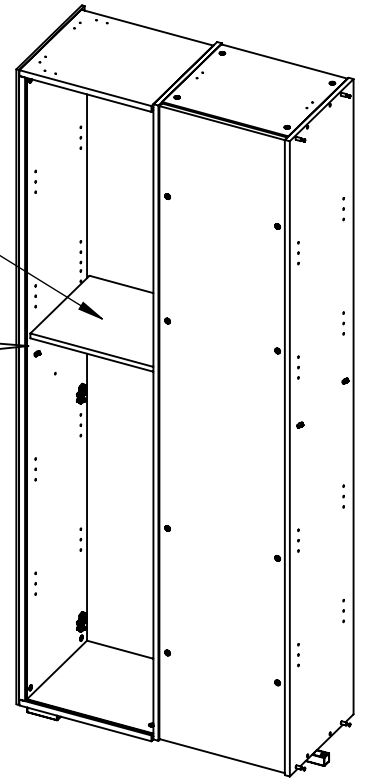
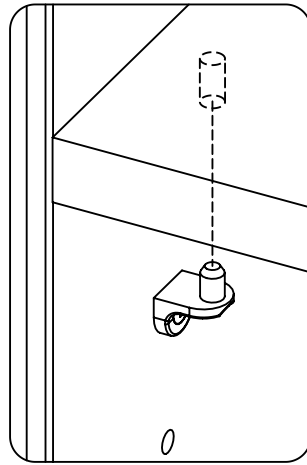
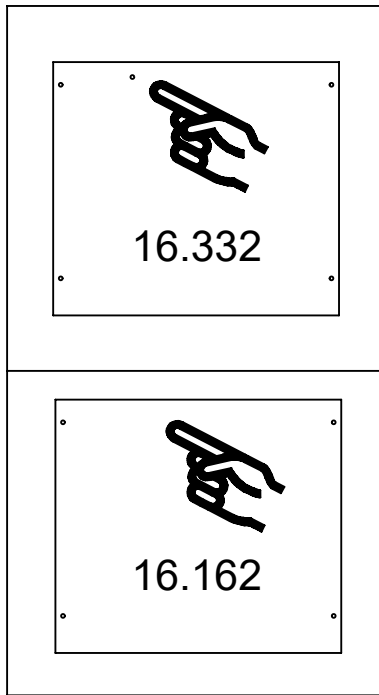


12



13

!16.332!
16.162

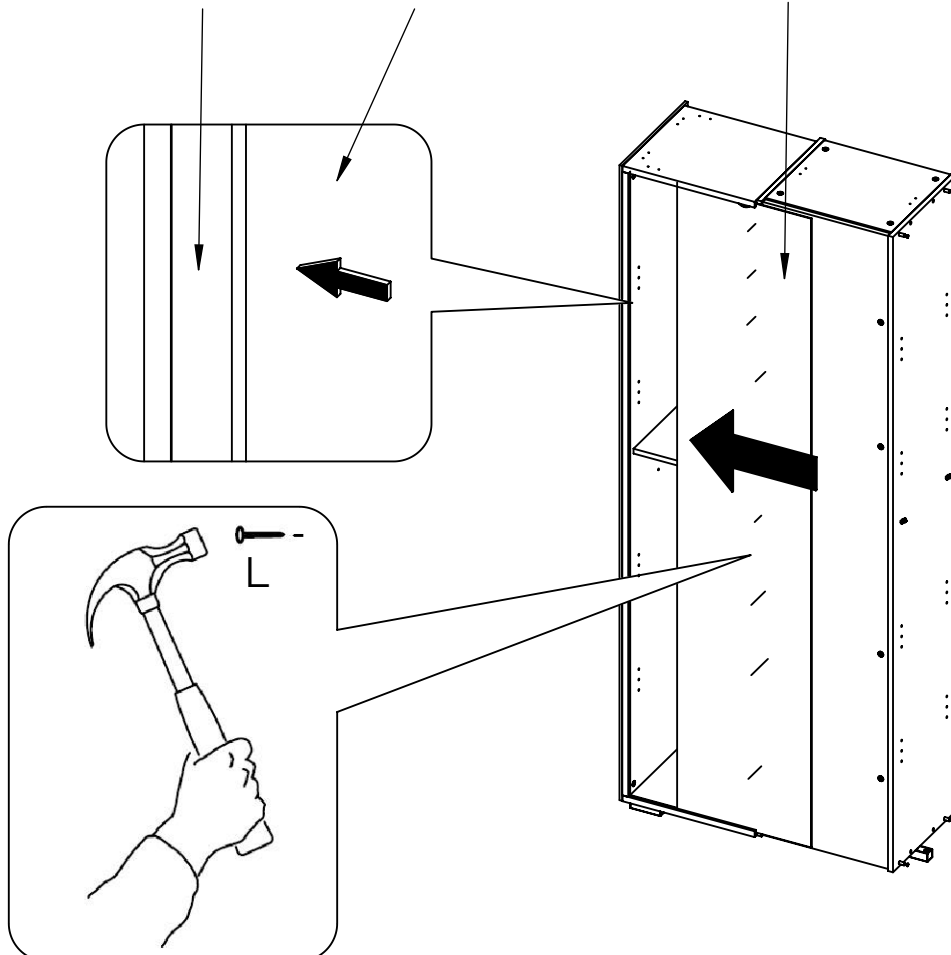


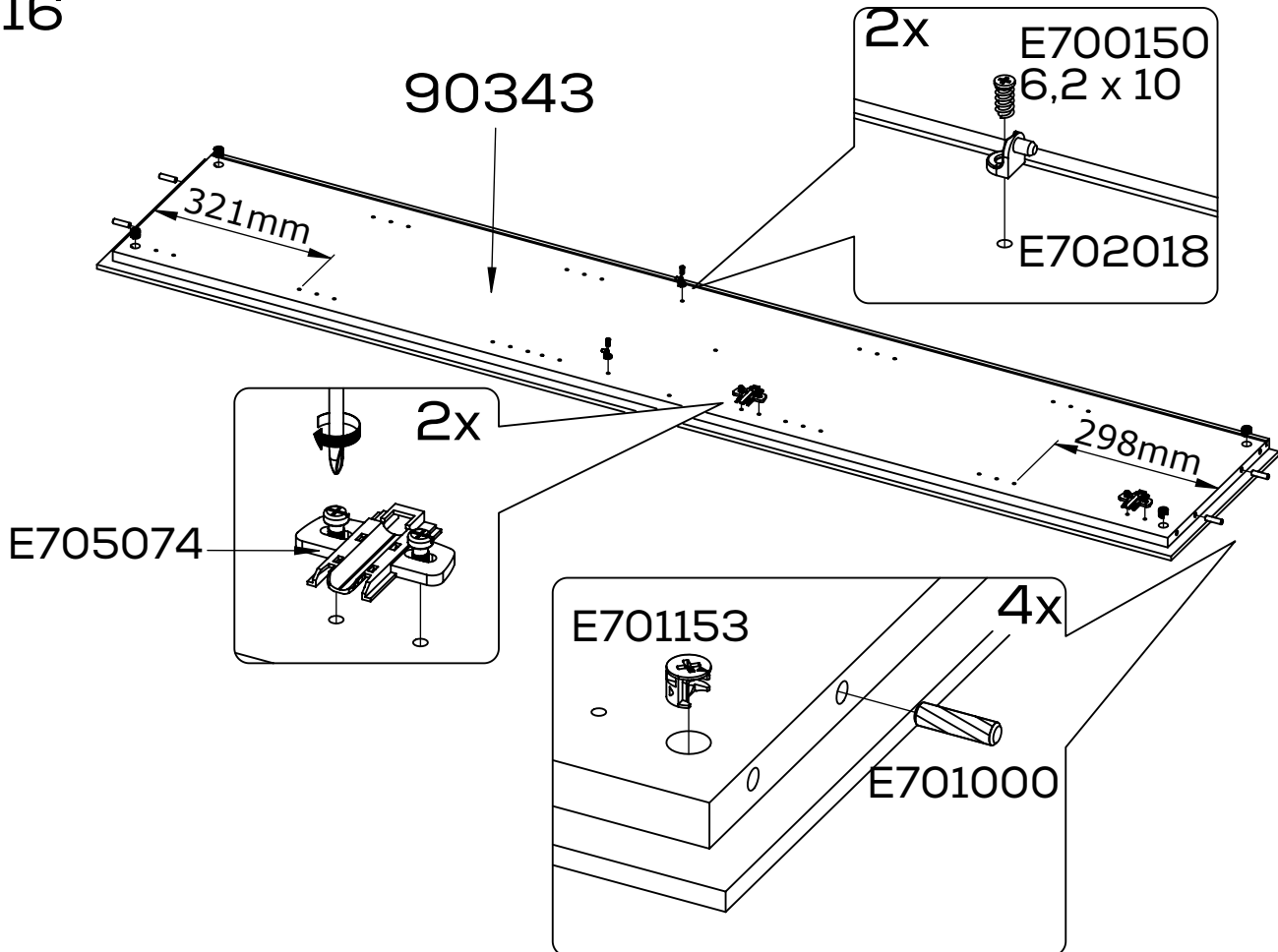
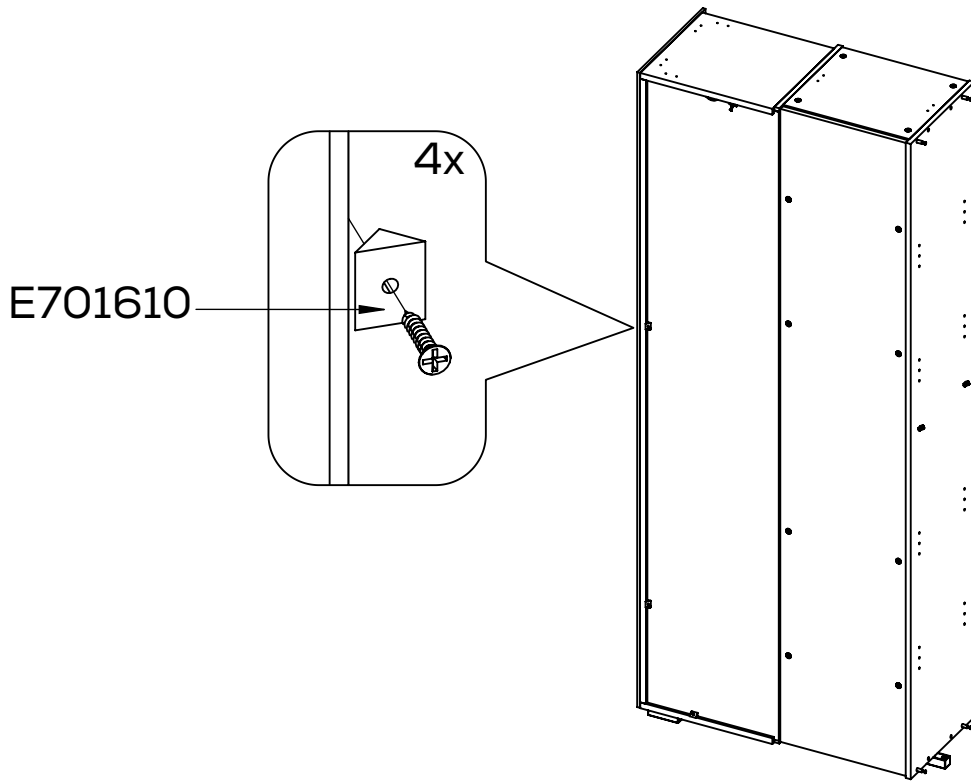
14

90544

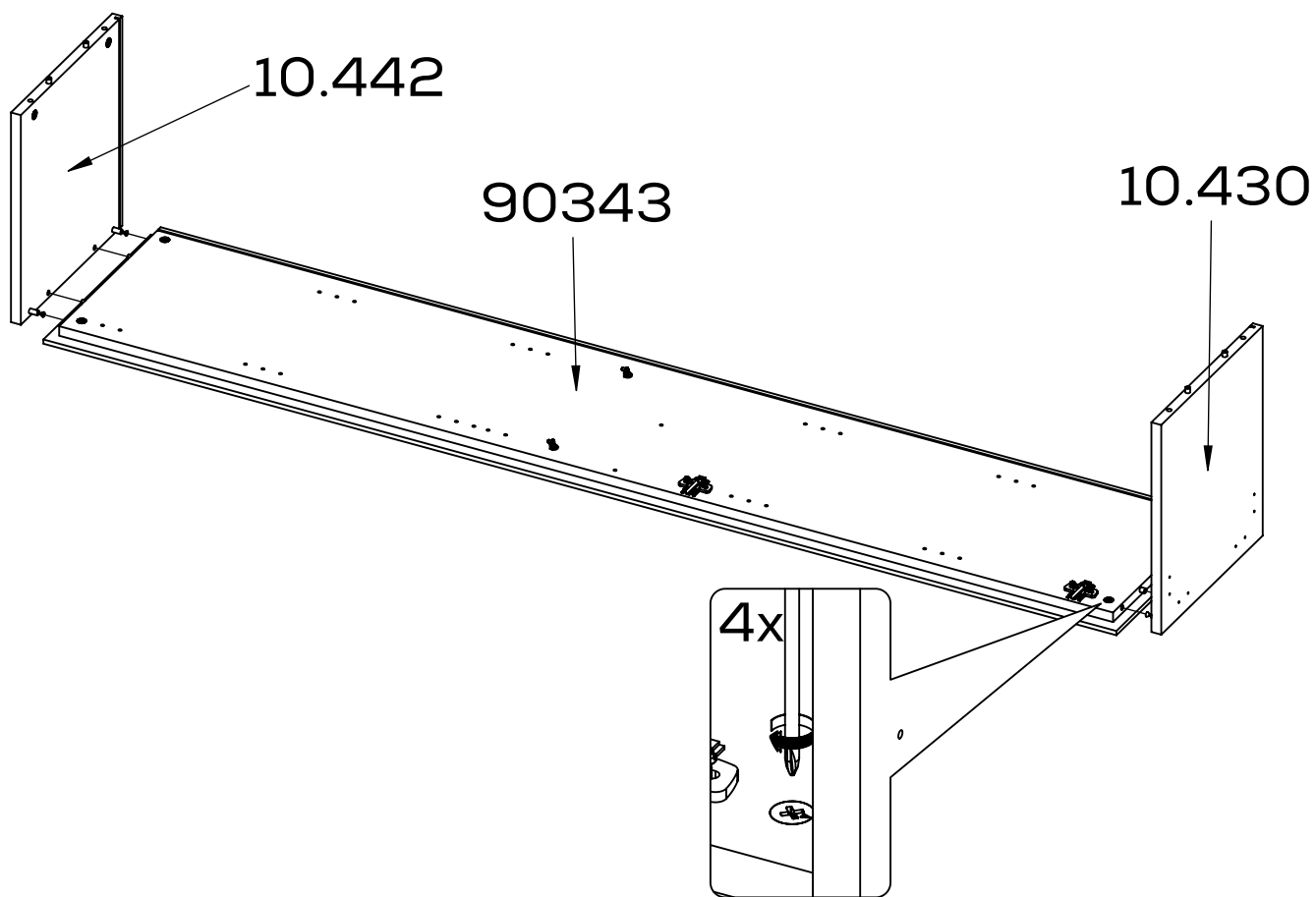
28.310

28.310

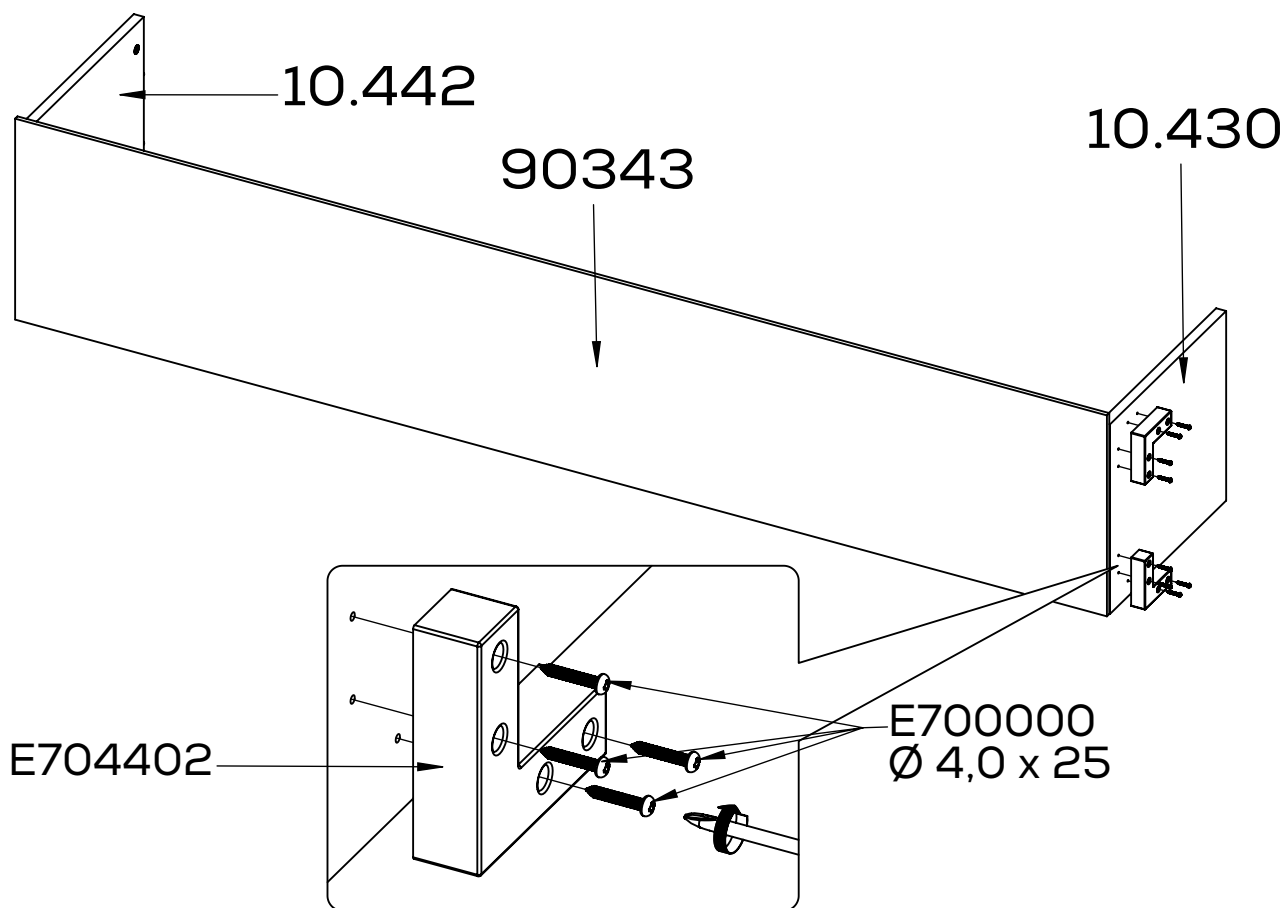


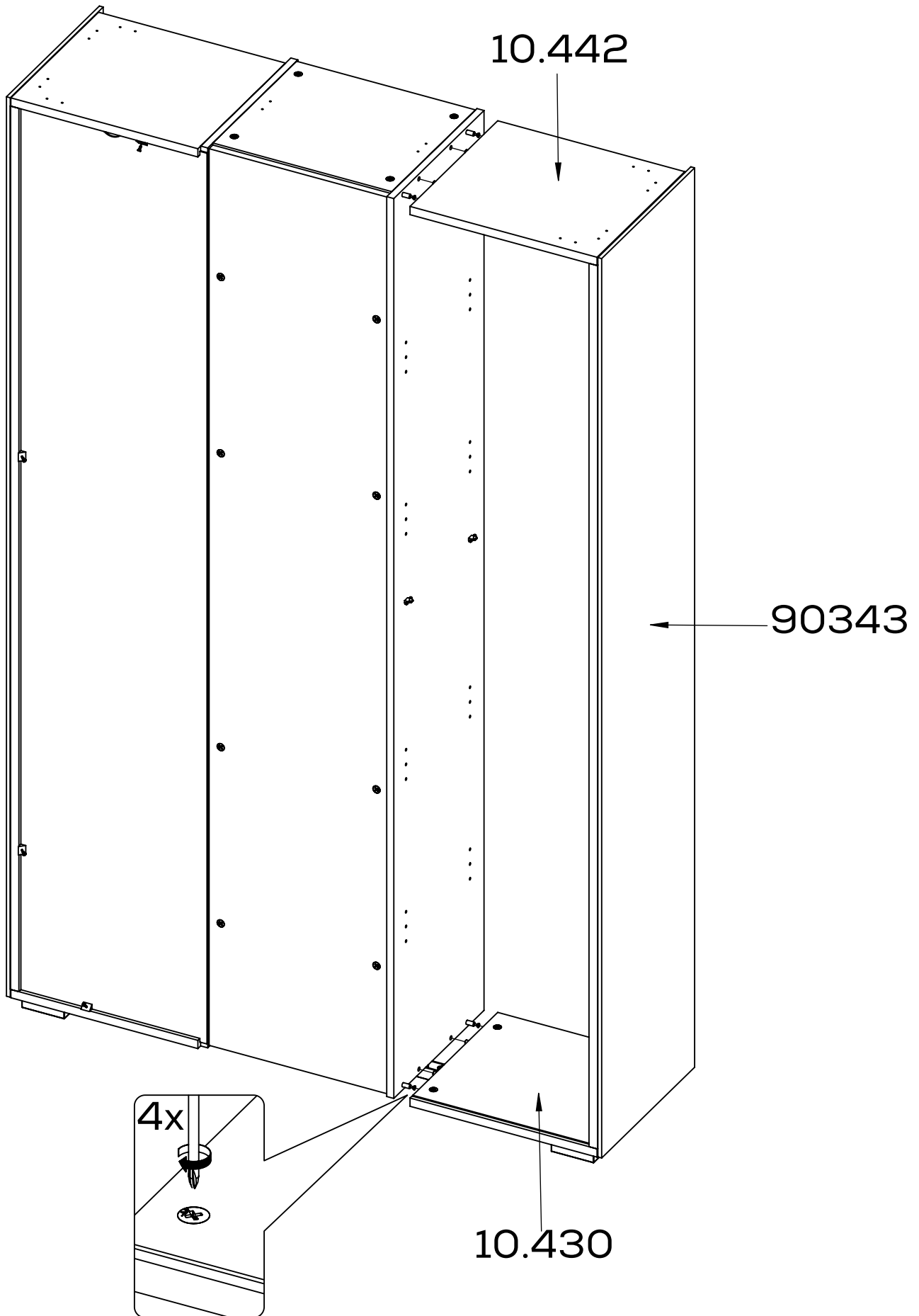


17

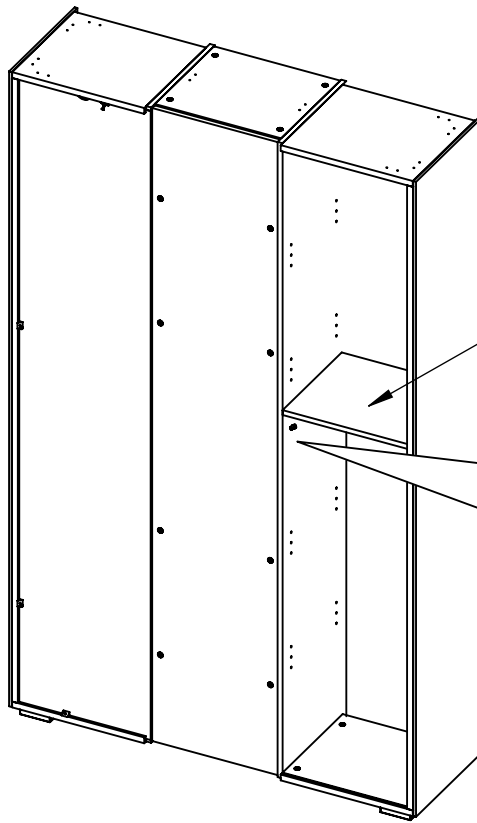
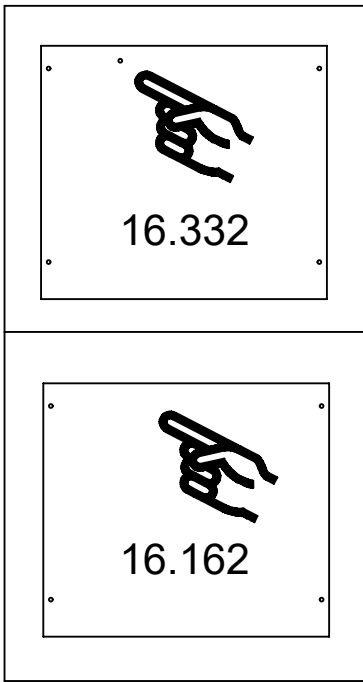


18

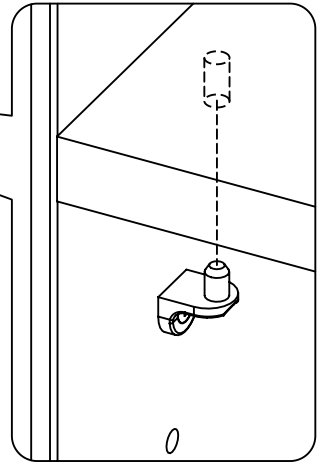




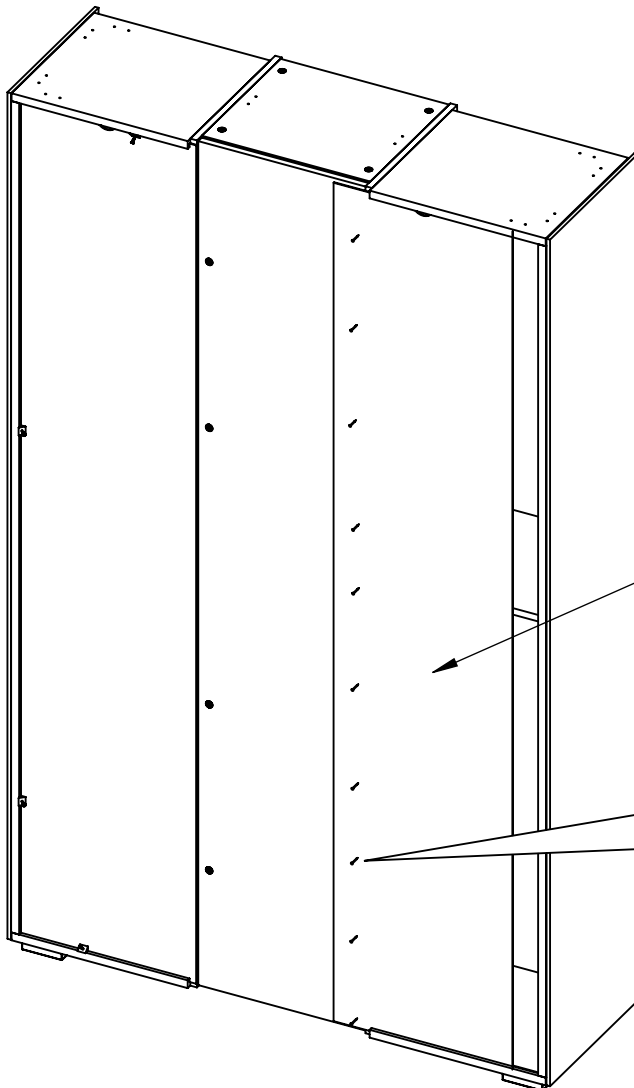
20



!16.332!
16.162

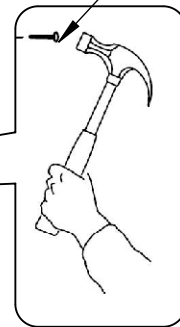


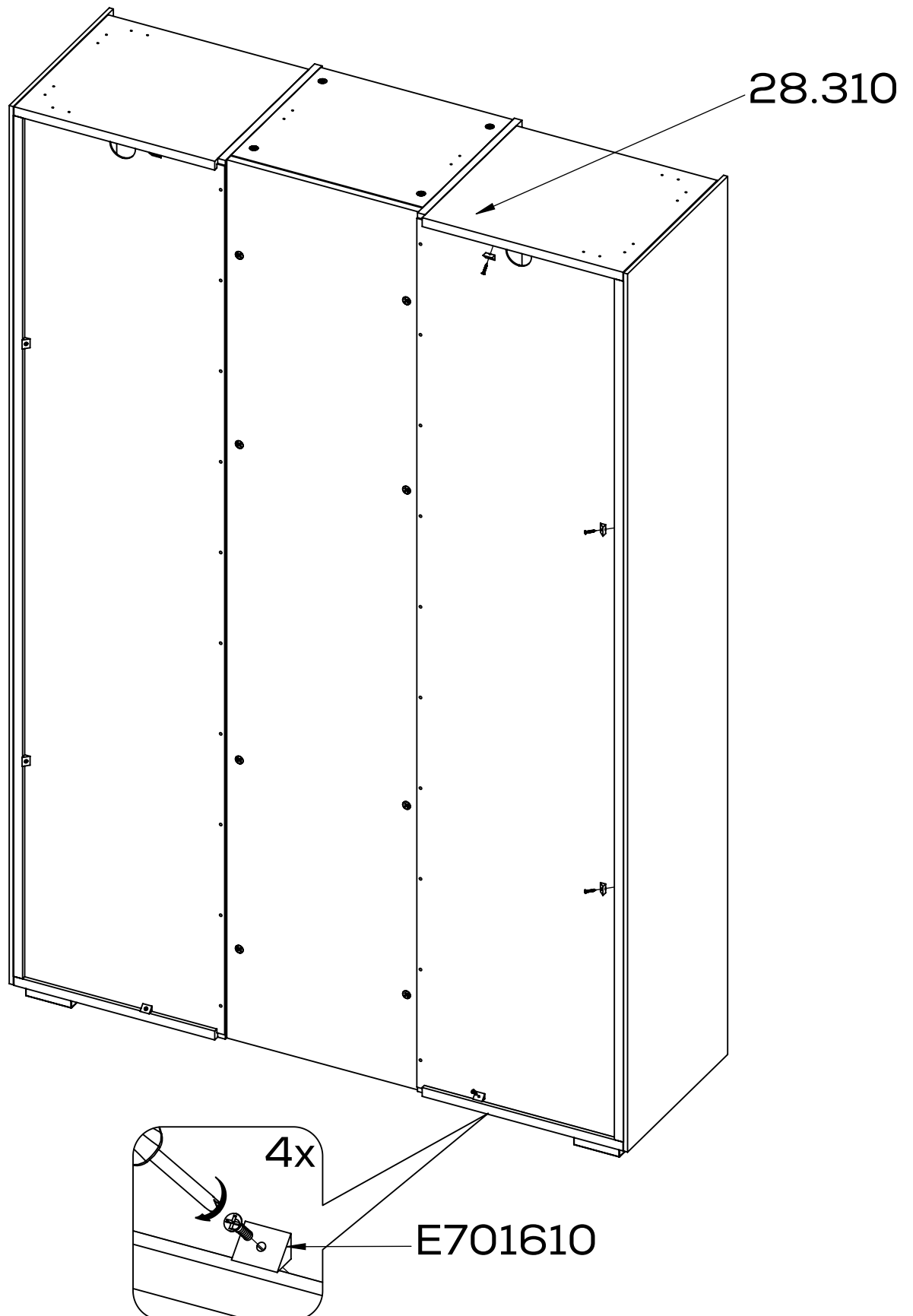
21



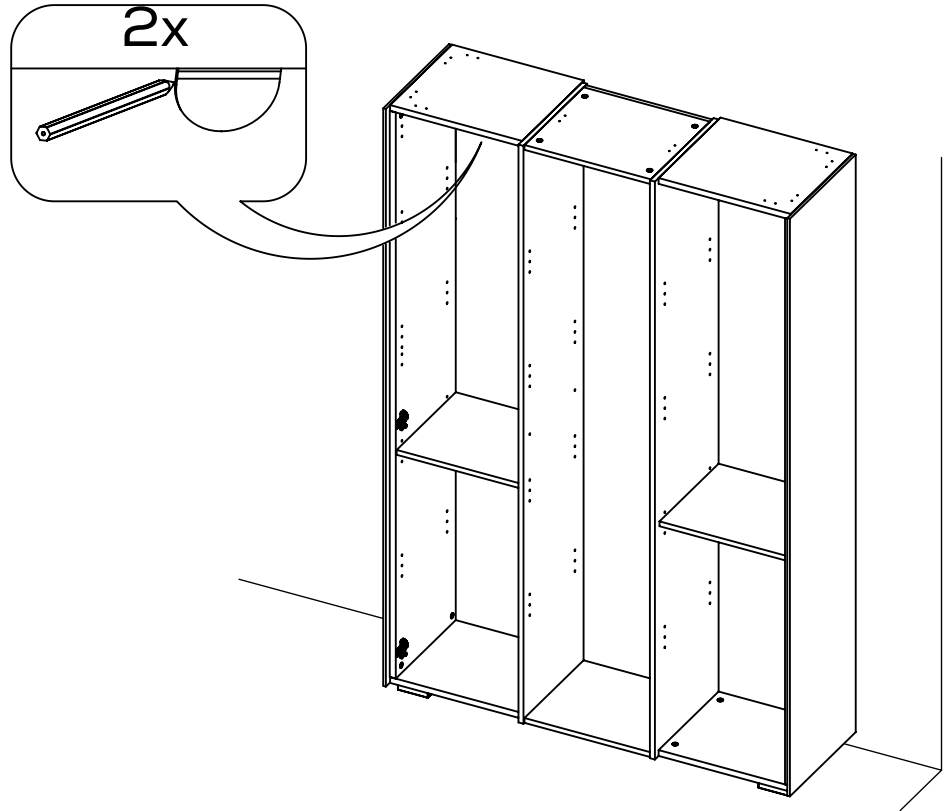
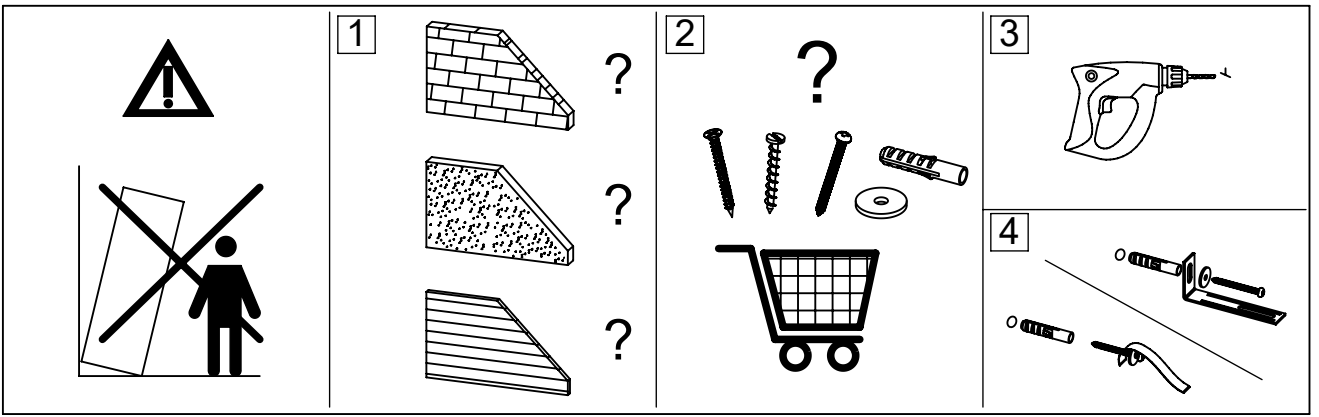
28.310

E700905

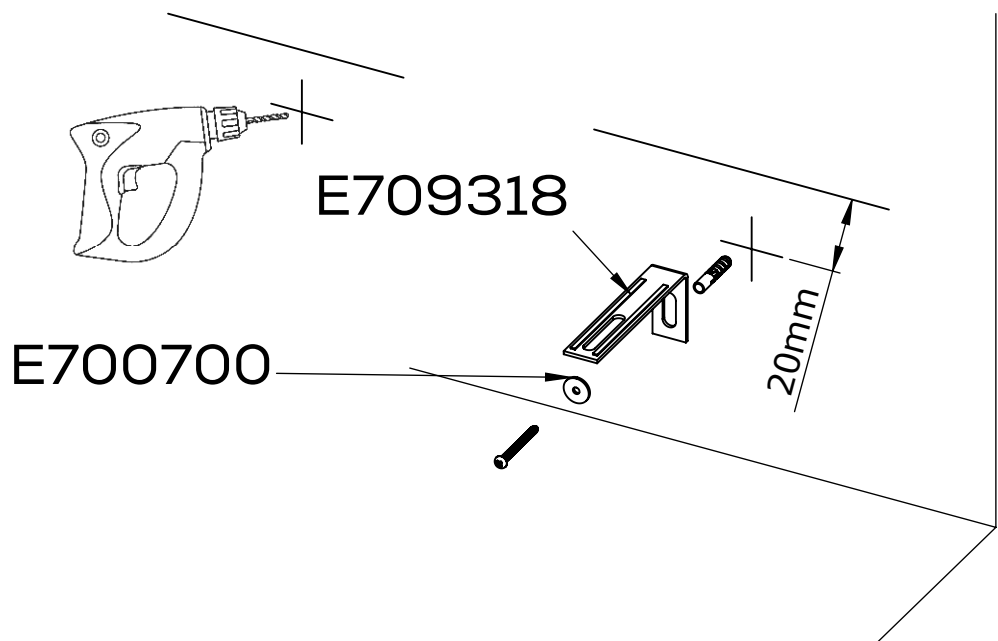




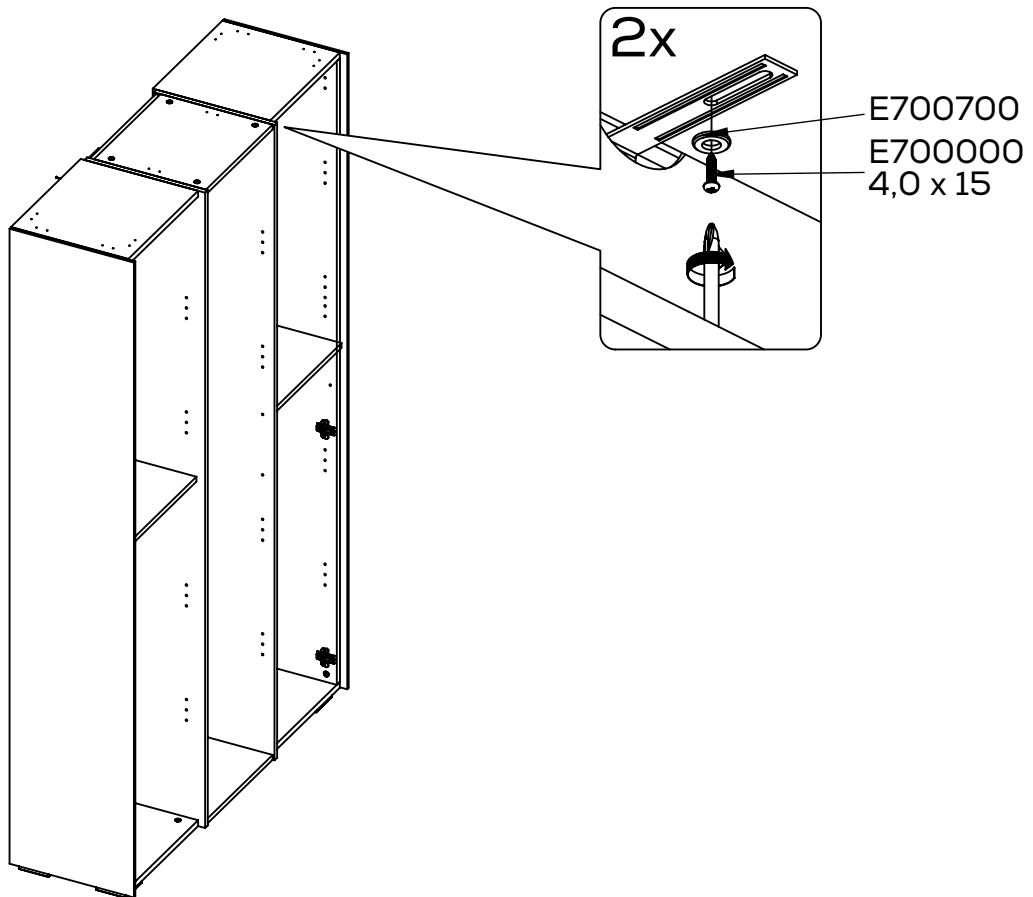
23



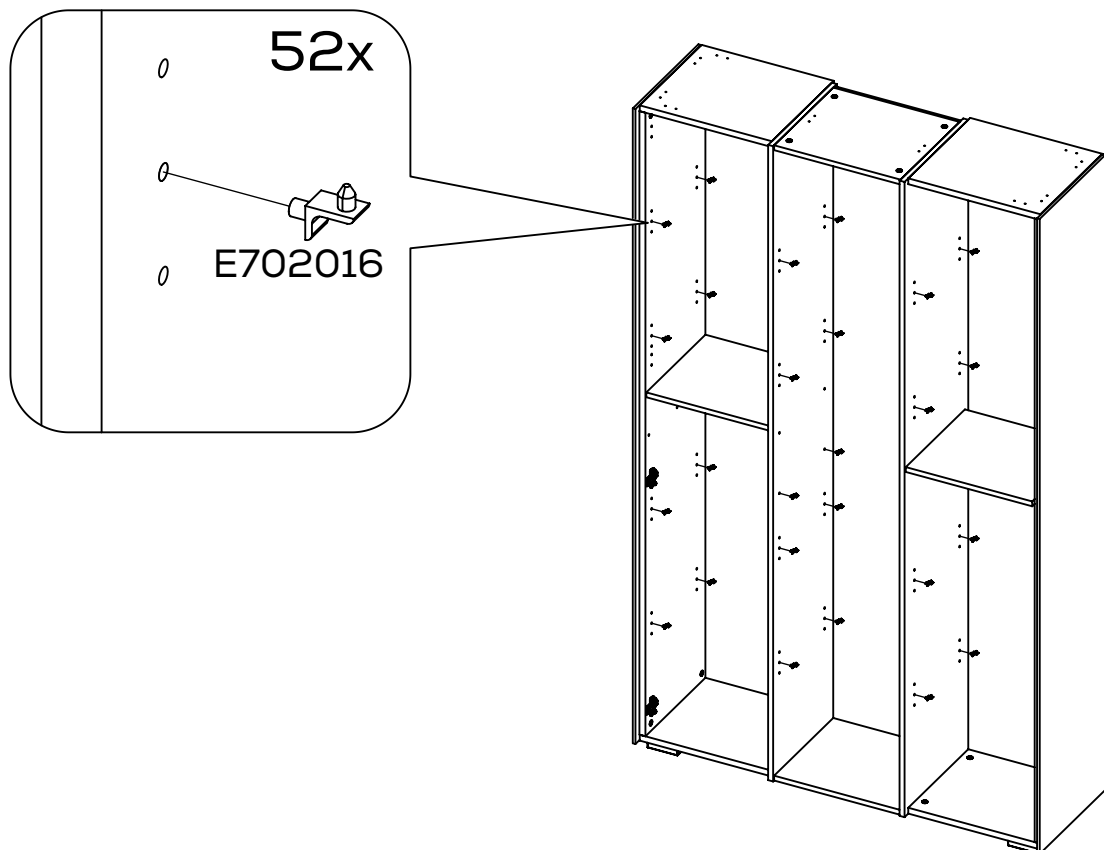
24



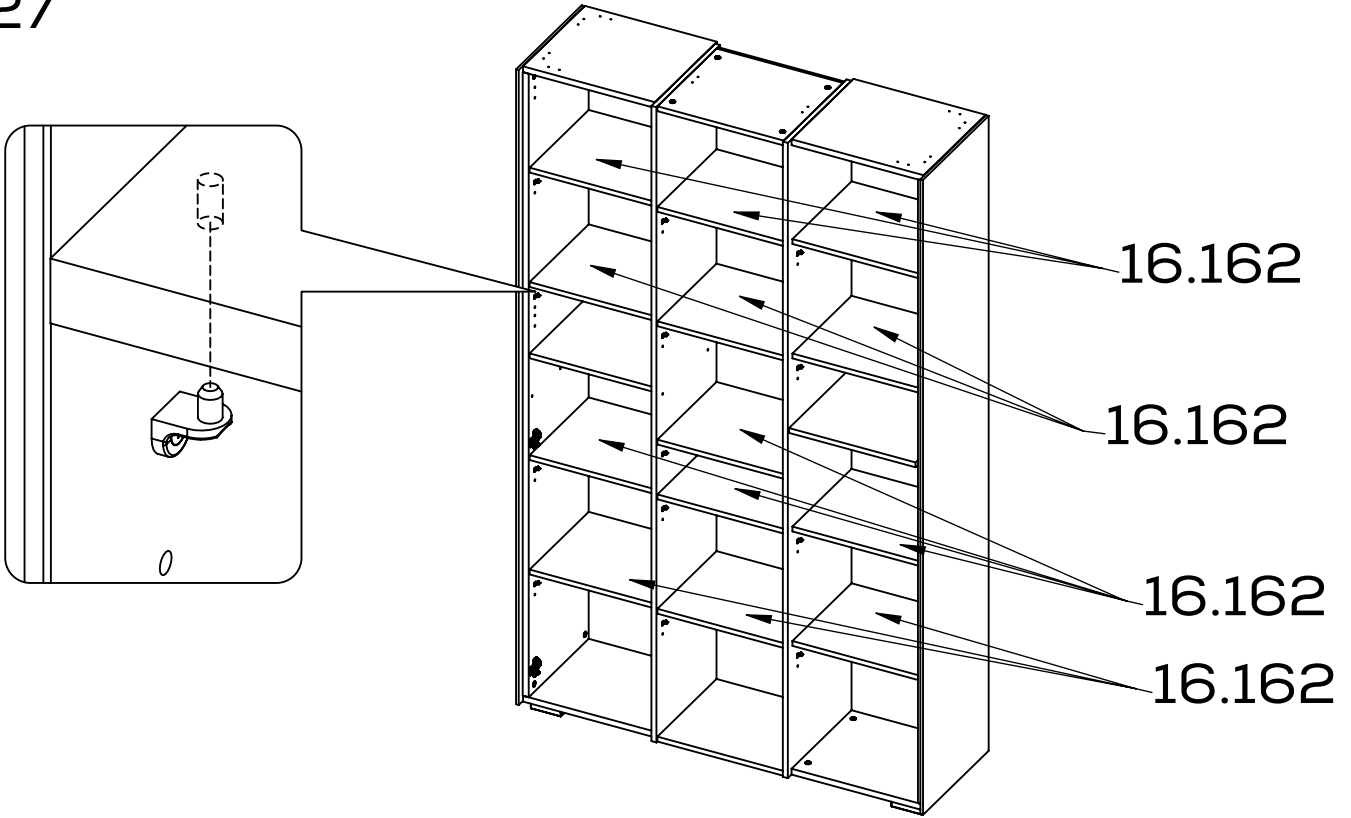
25



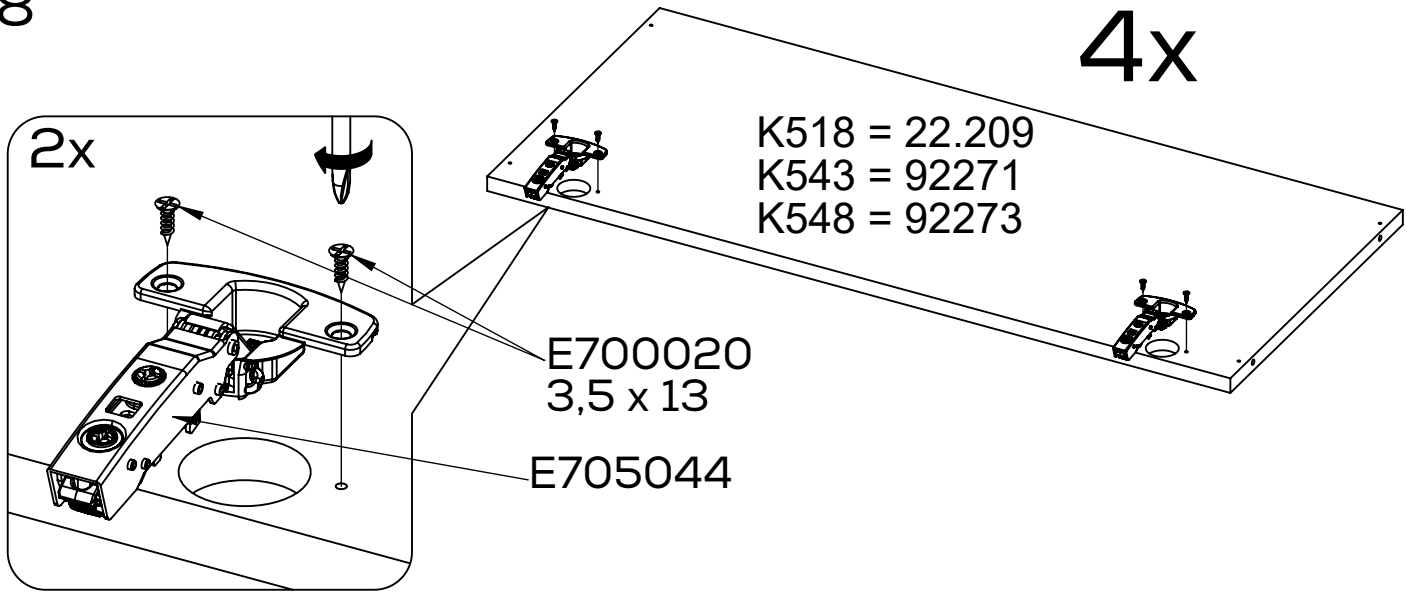
26



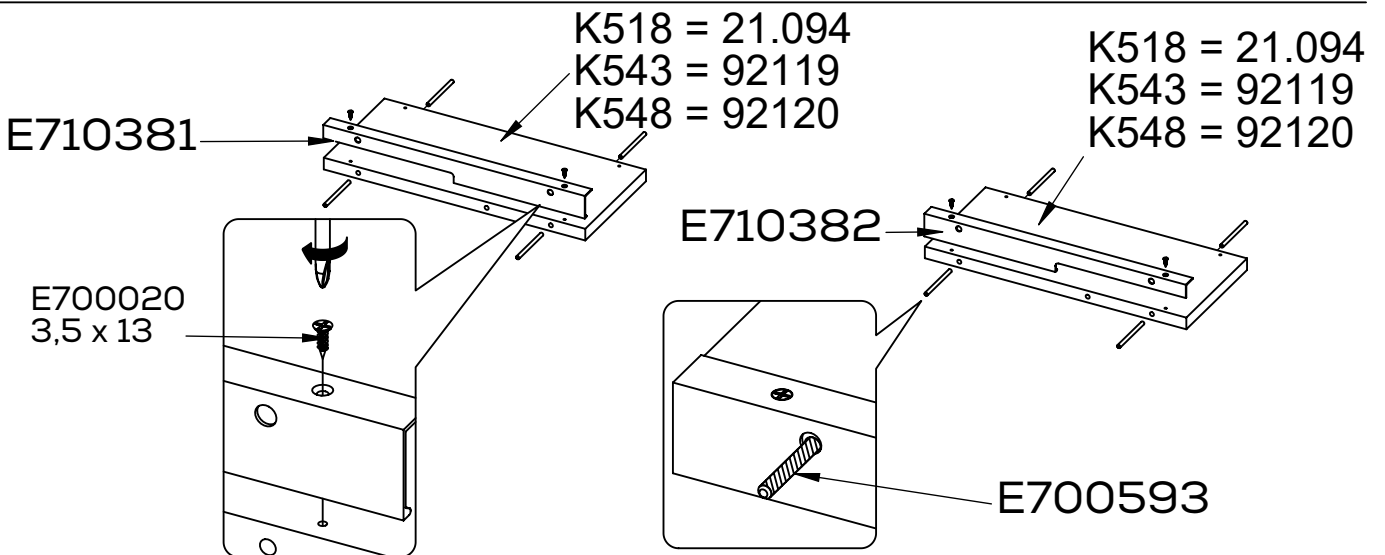
27



28

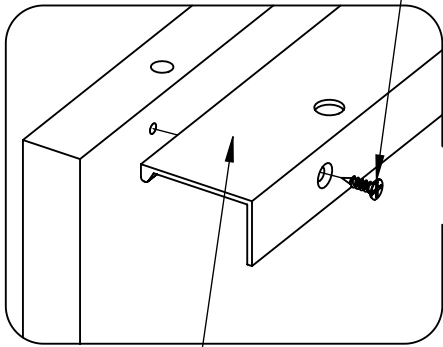


29



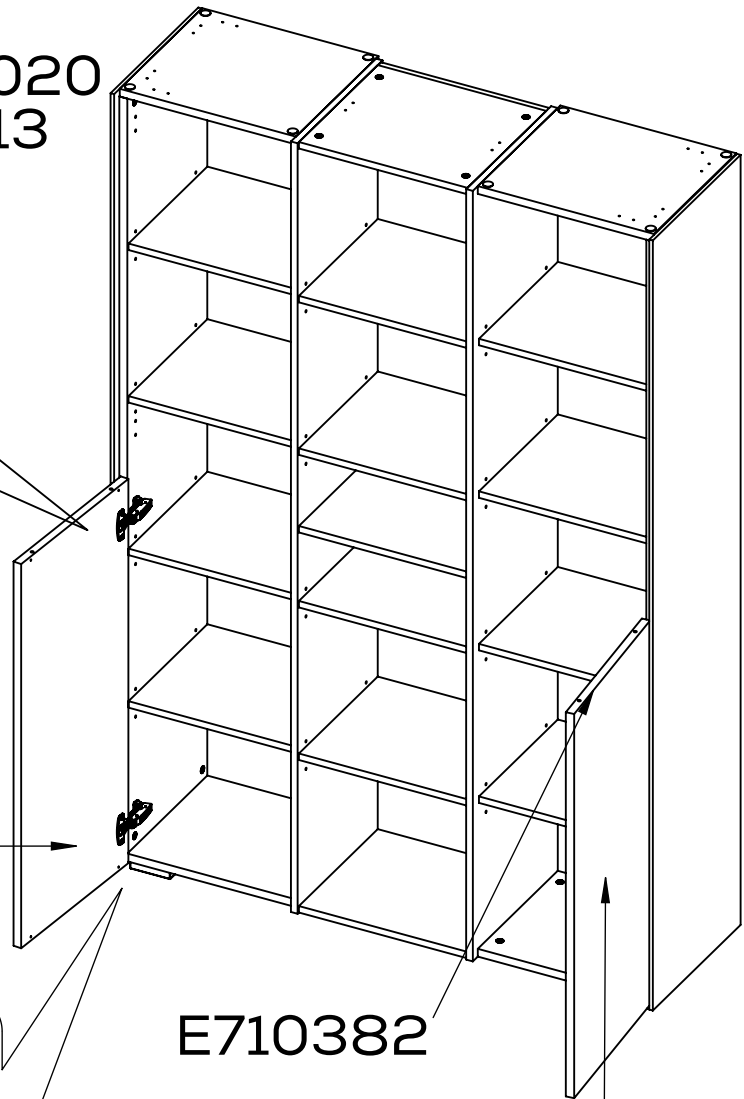
30

E700020
3,5 x 13



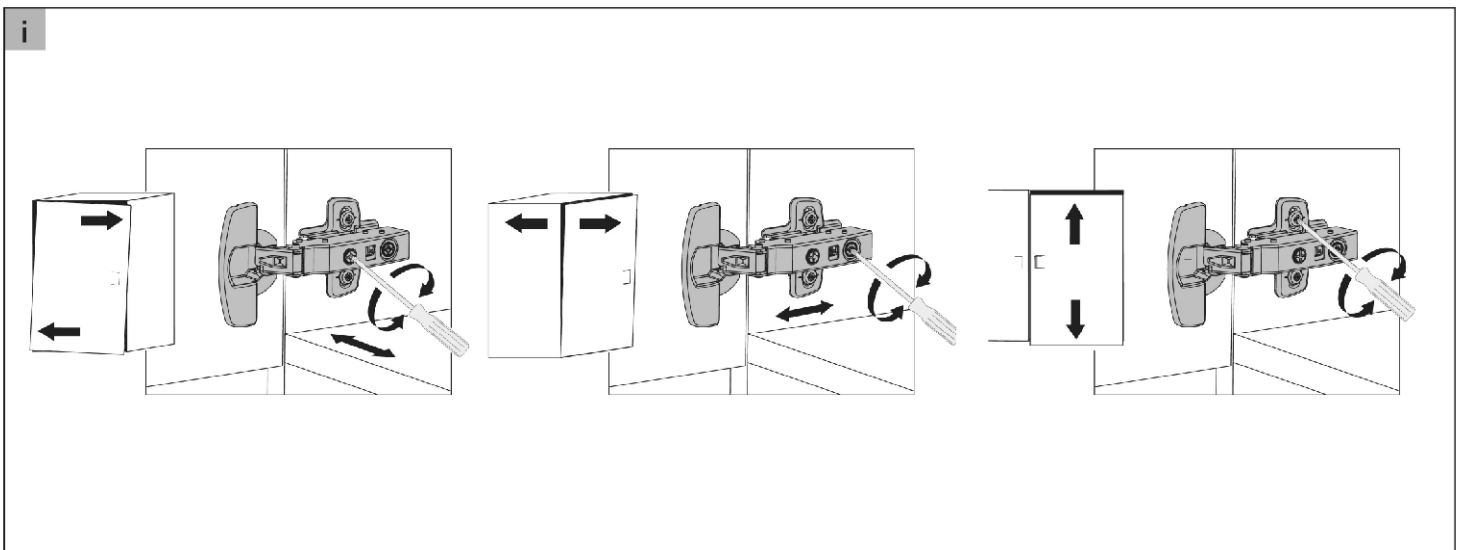
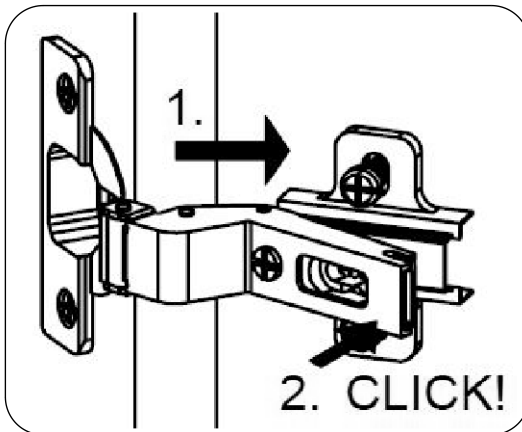
E710381

K518 = 22.209
K543 = 92271
K548 = 92273

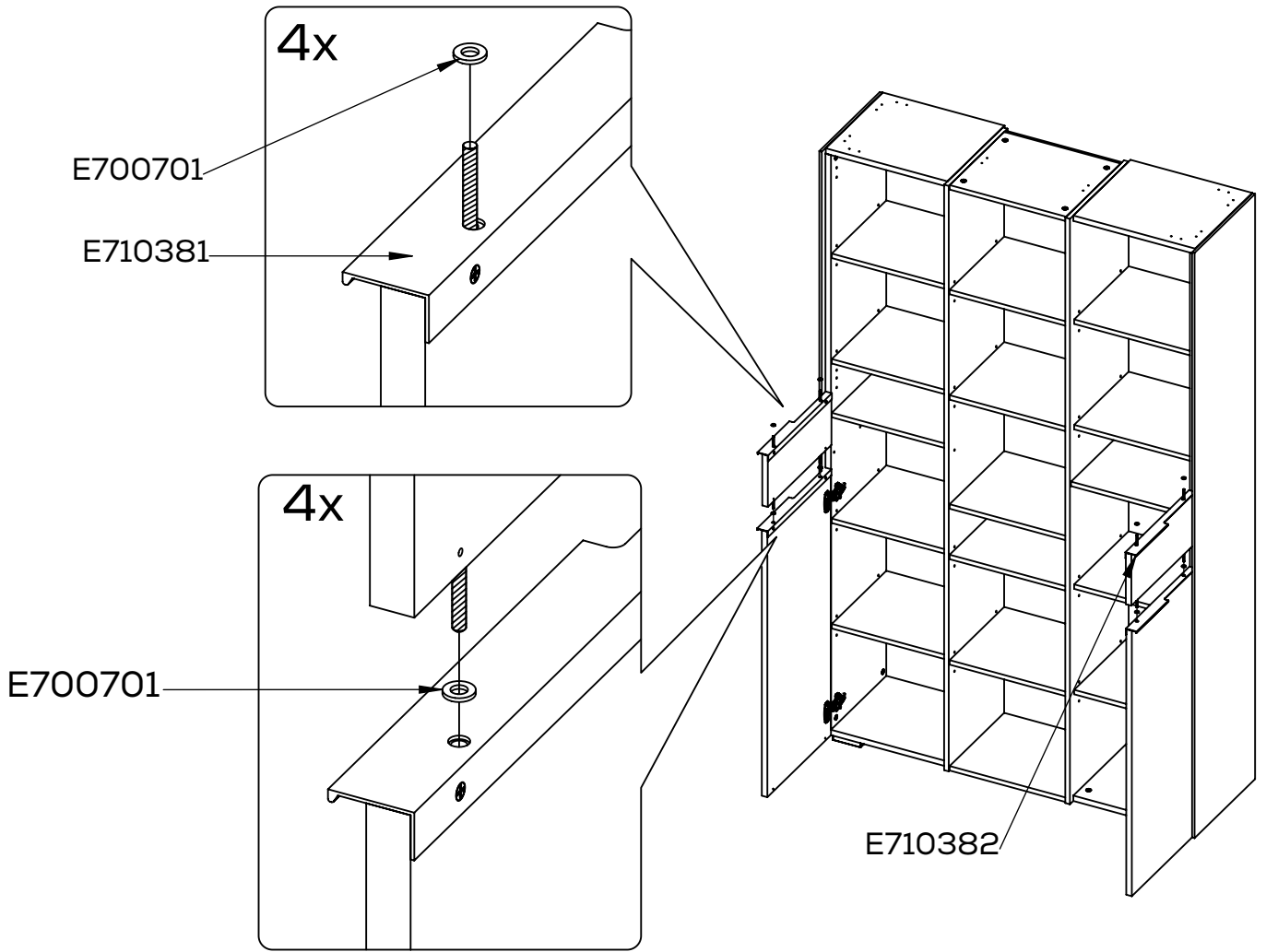


E710382

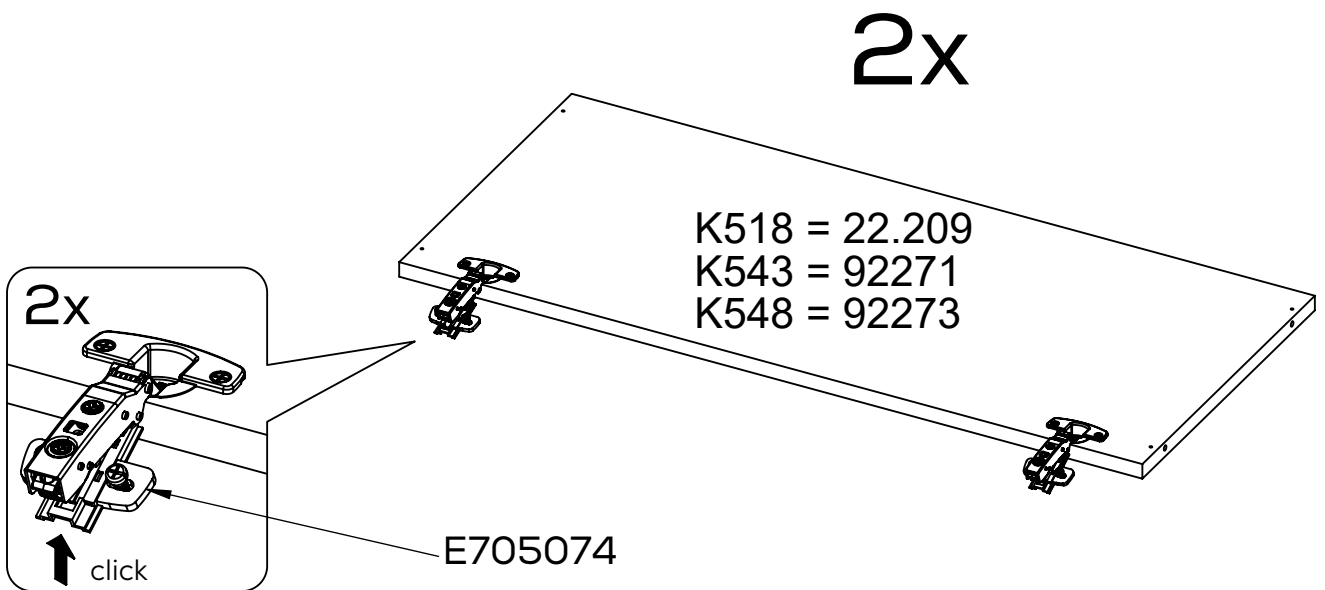
K518 = 22.209
K543 = 92271
K548 = 92273



31

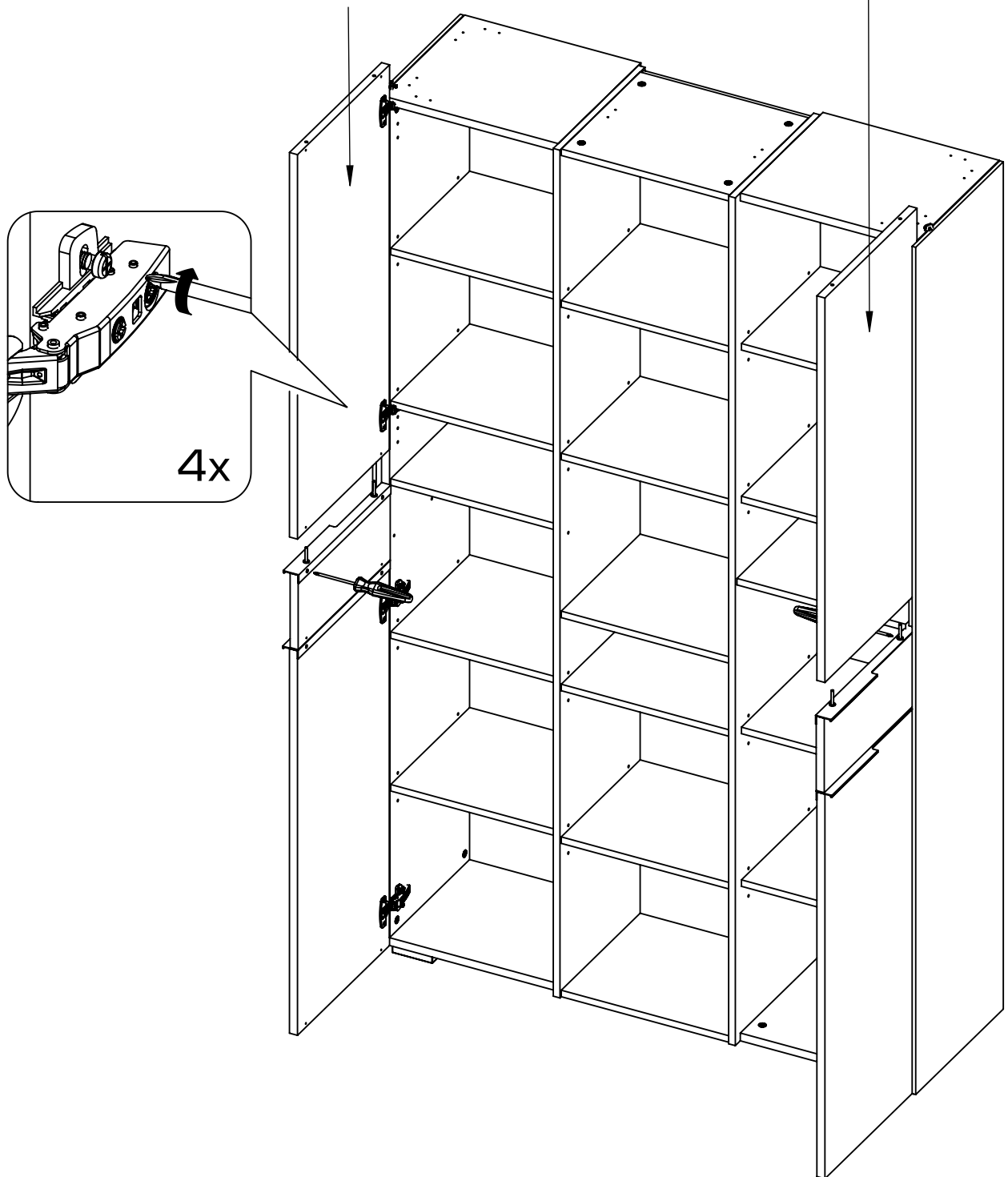


32



K518 = 22.209
K543 = 92271
K548 = 92273

K518 = 22.209
K543 = 92271
K548 = 92273



34

