

DE

**Montageanleitung**

Anleitung beachten.

Weitere Informationen zum Produkt finden Sie im Internet.





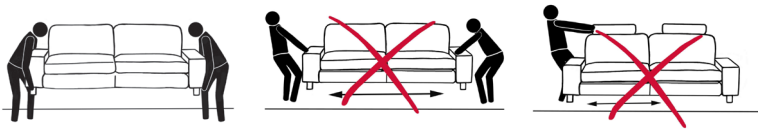

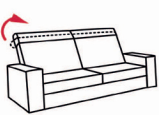
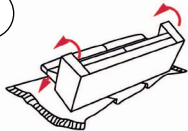
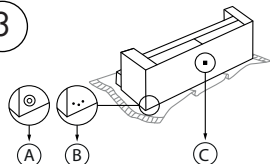
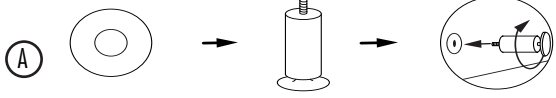
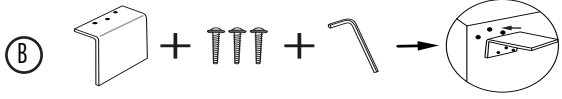
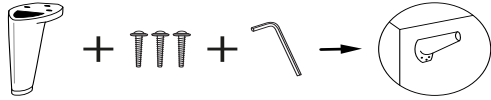
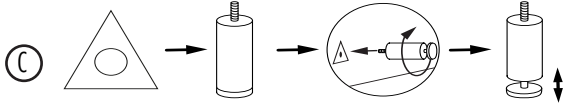
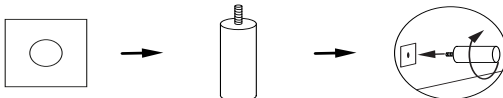
EN

**Assembly instruction**

Refer to instruction manual/booklet.

Further information about the product can be found on the internet.



	
	
	
	<div style="display: flex; justify-content: space-around;"> <div style="text-align: center;"> <p>①</p>  </div> <div style="text-align: center;"> <p>②</p>  </div> <div style="text-align: center;"> <p>③</p>  </div> </div> <div style="margin-top: 20px;"> <p><b>A</b></p>  <p><b>B</b></p>   <p><b>C</b></p>   </div>

