

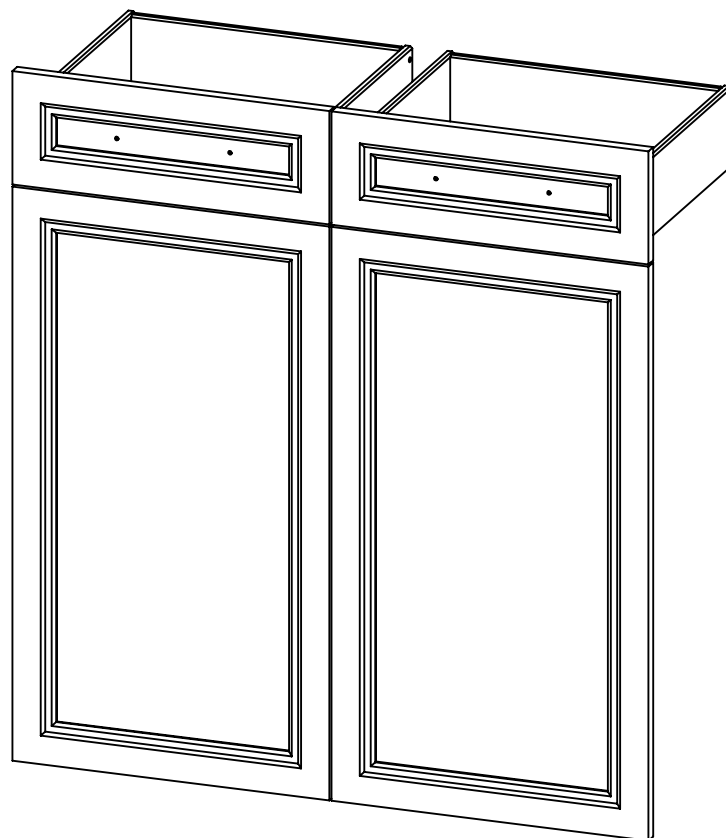
MEDIA

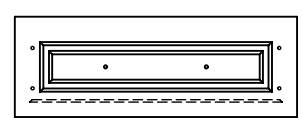
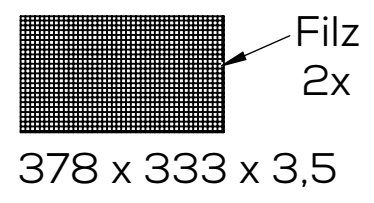
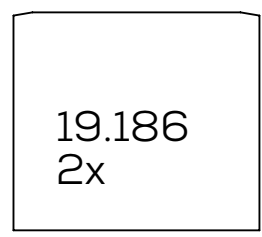
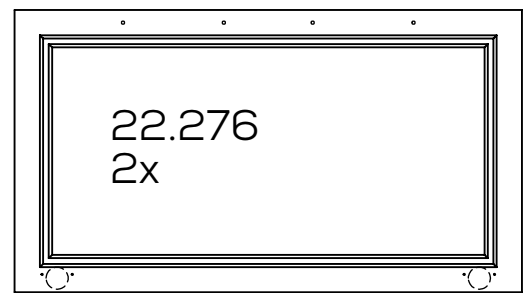
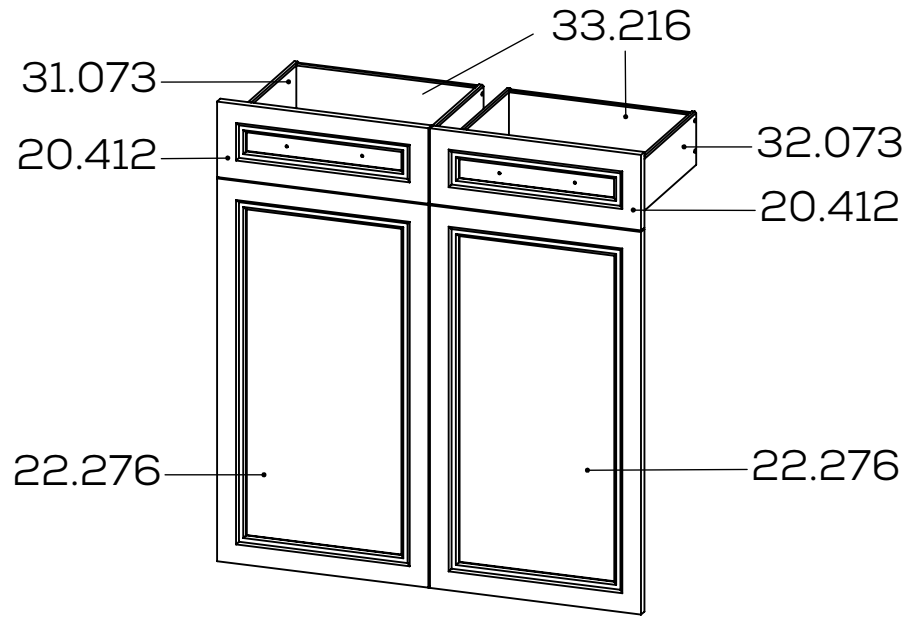
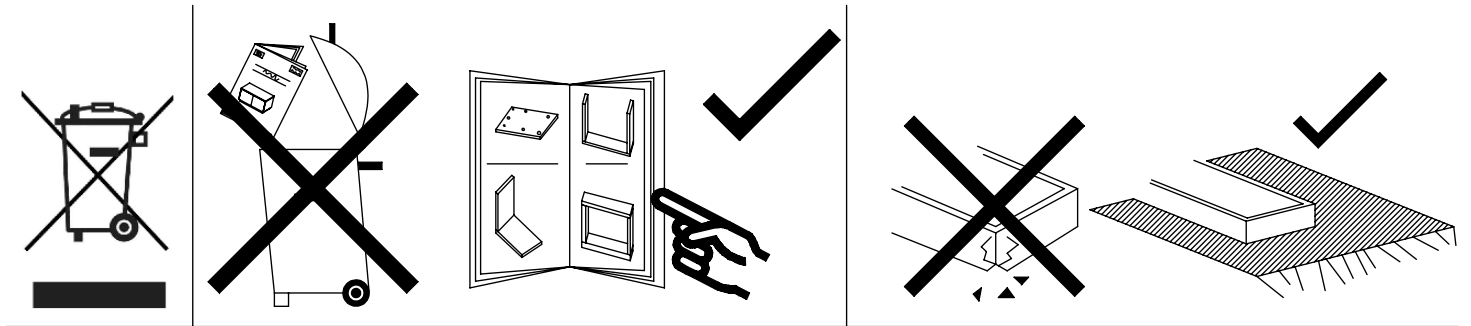
OFFICE

LIVING

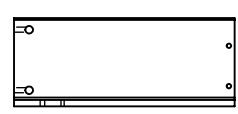
MAJA
MÖBEL

K573

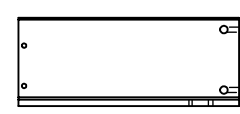




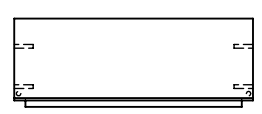
20.412
2x



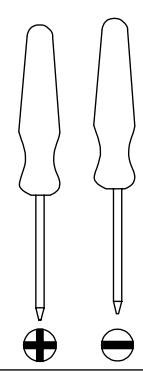
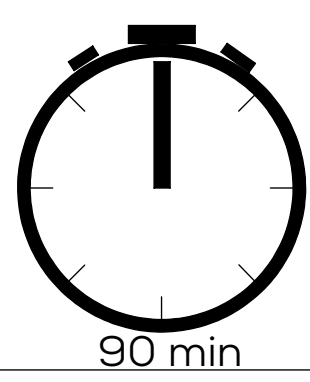
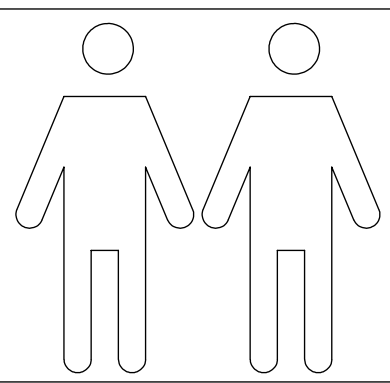
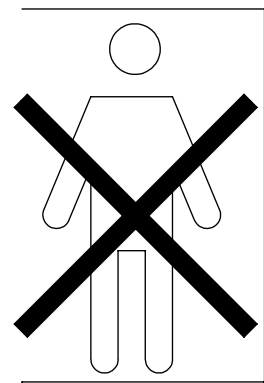
31.073
2x



32.073
2x



33.216
2x



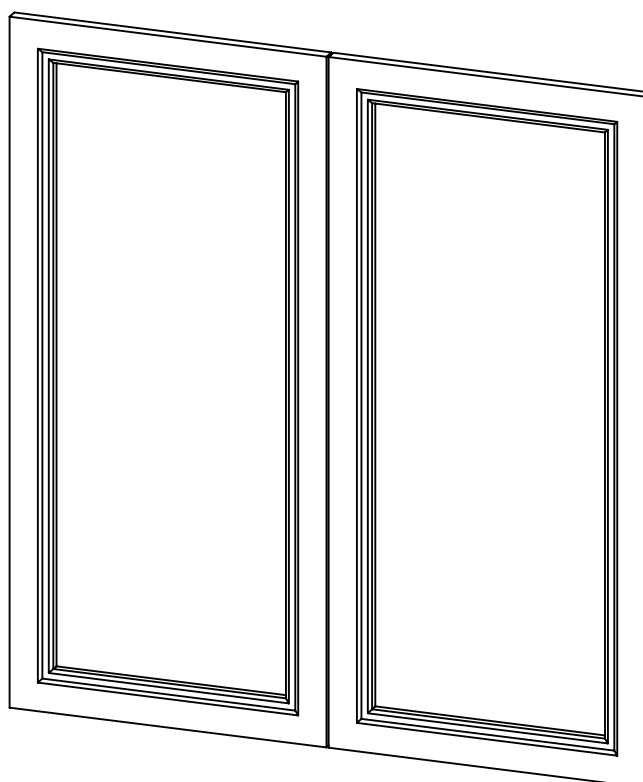
MEDIA

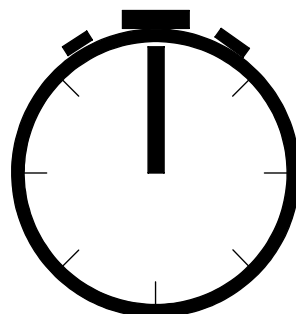
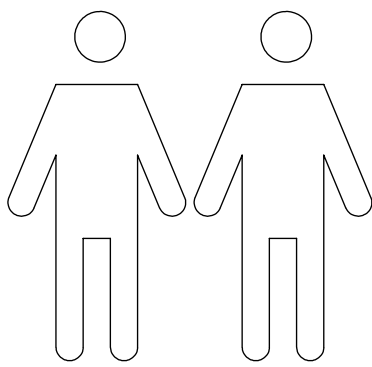
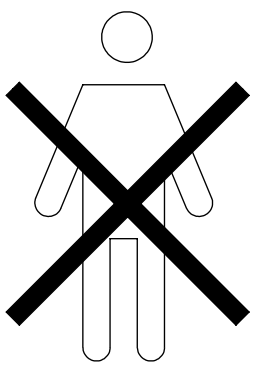
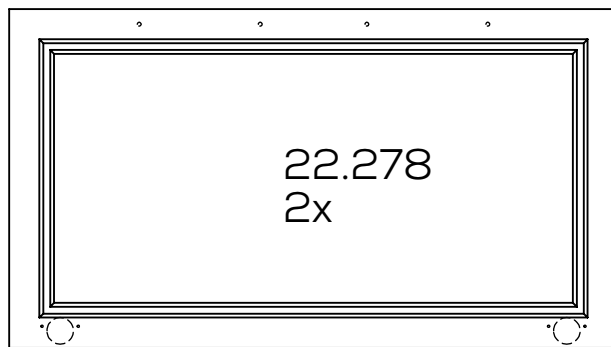
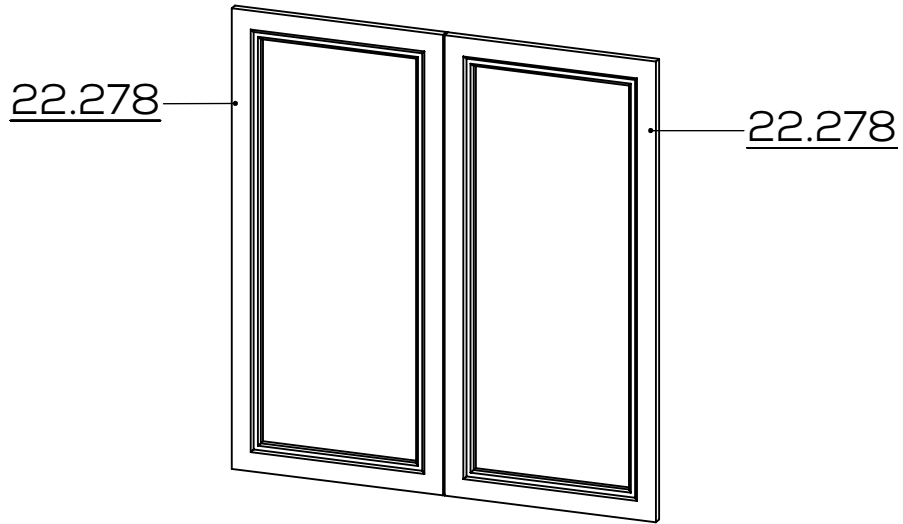
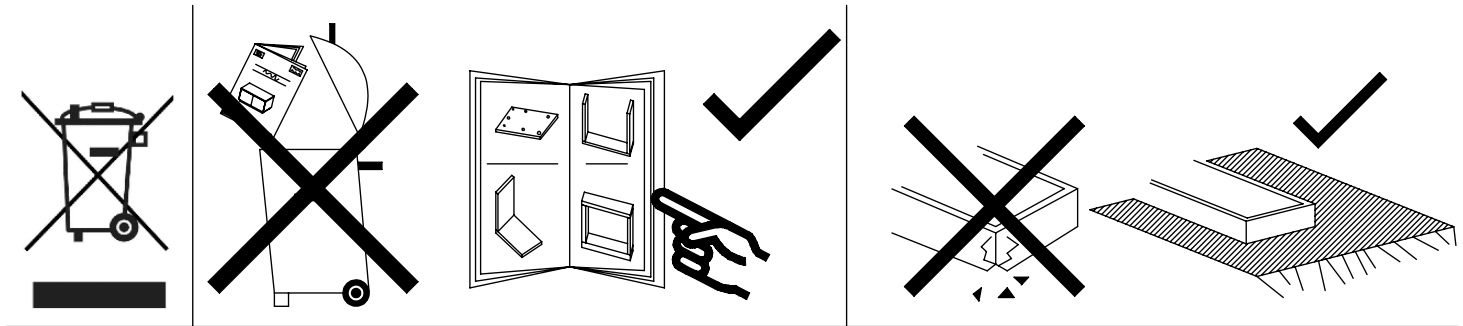
OFFICE

LIVING

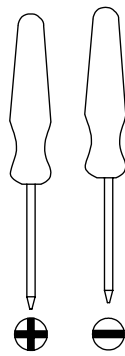
MAJA
MÖBEL

K574





90 min



22.10.2020

1

maja-moebel.de

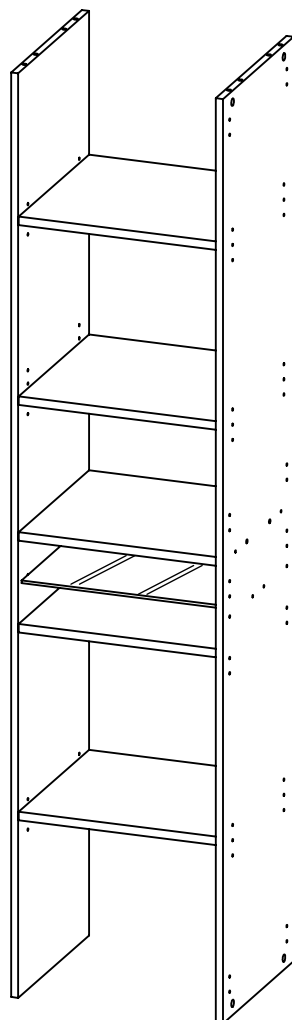
MEDIA

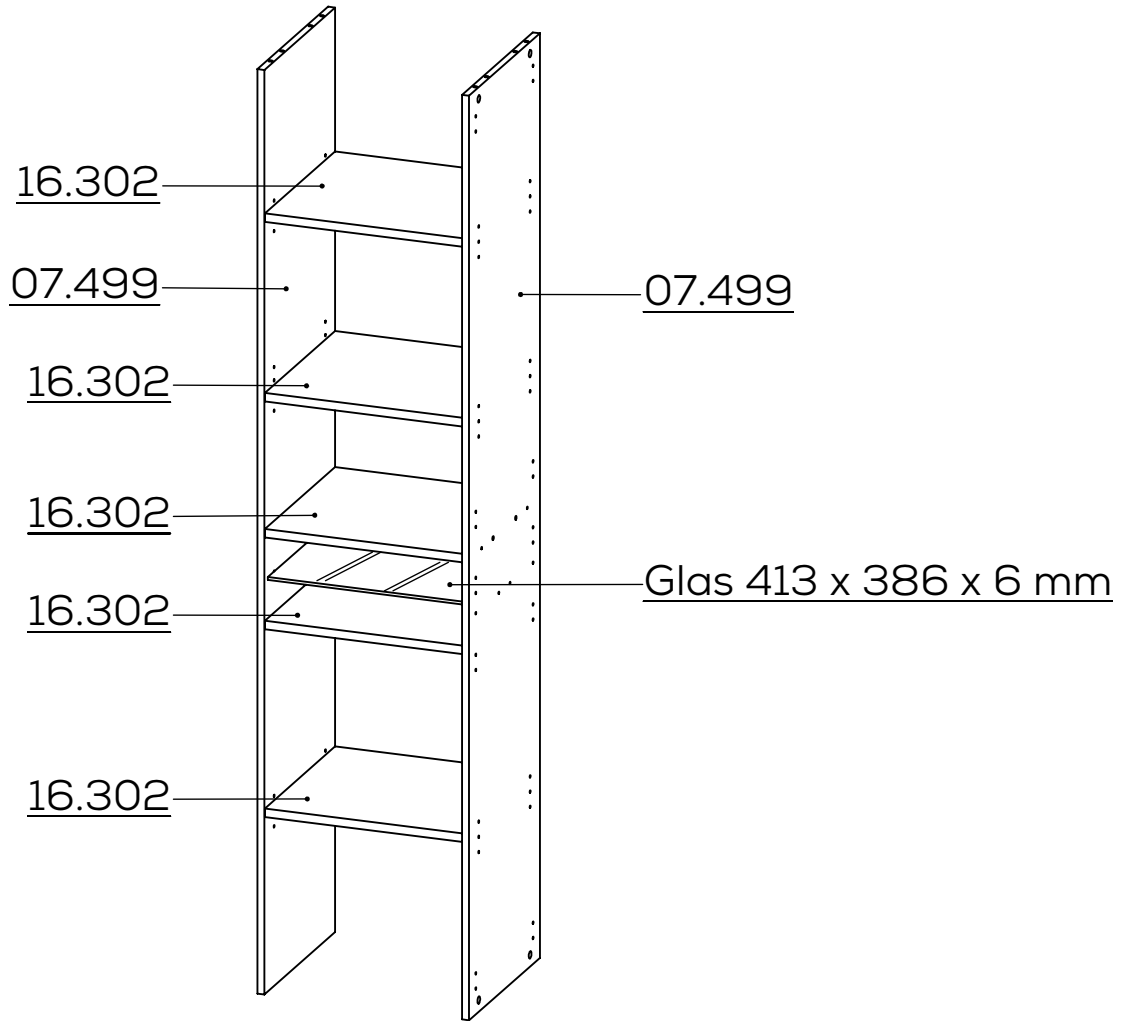
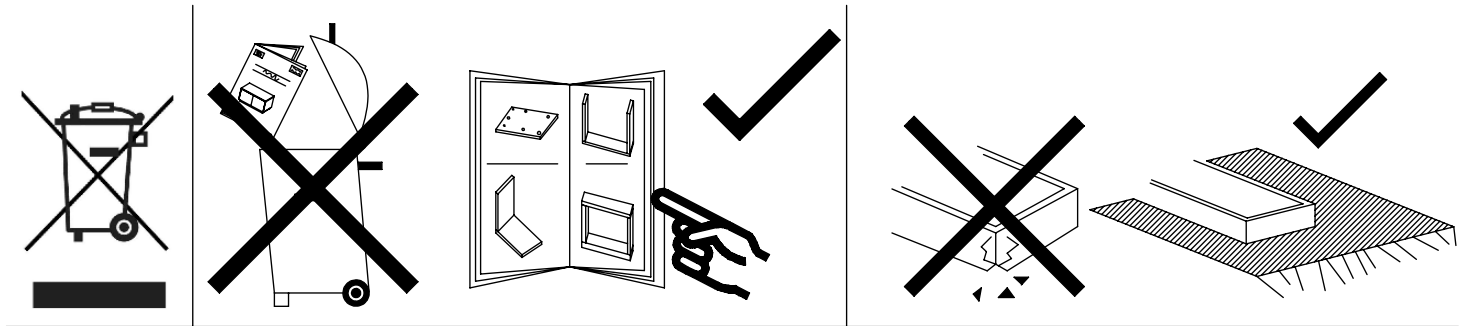
OFFICE

LIVING

MAJA
MÖBEL

K825





<p>07.499 2x</p>	<p>16.302 5x</p>	<p>Glas 413 386</p>
------------------	----------------------	-----------------------------

		<p>90 min</p>	
<p>26.10.2020</p>	<p>1</p>	<p>maja-moebel.de</p>	<p>maja-moebel.de</p>

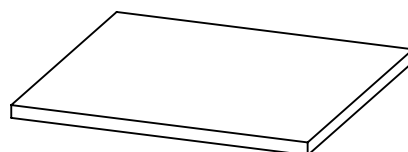
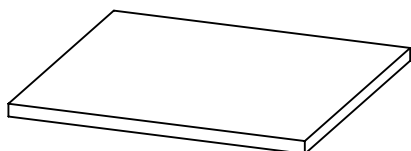
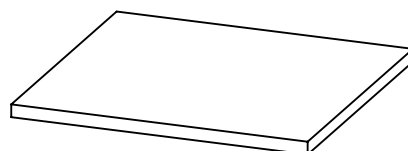
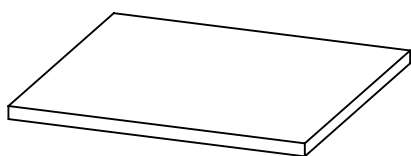
MEDIA

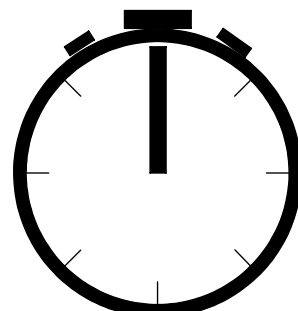
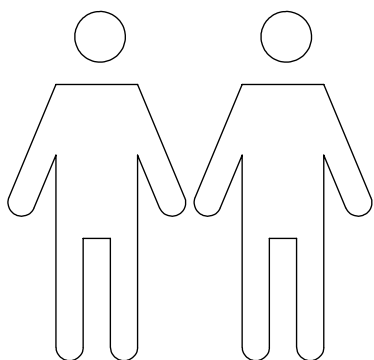
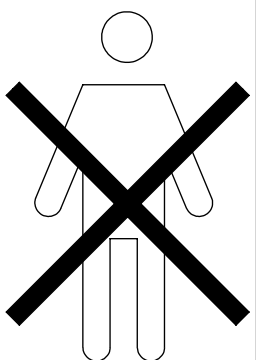
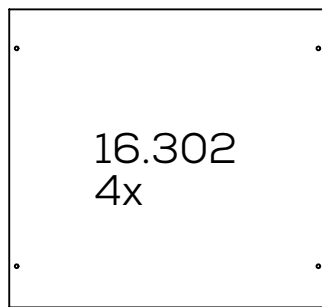
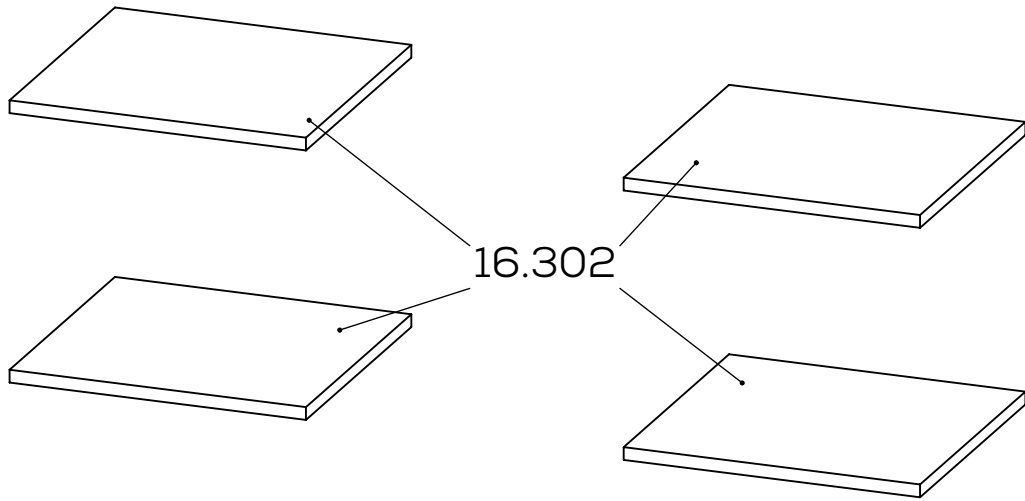
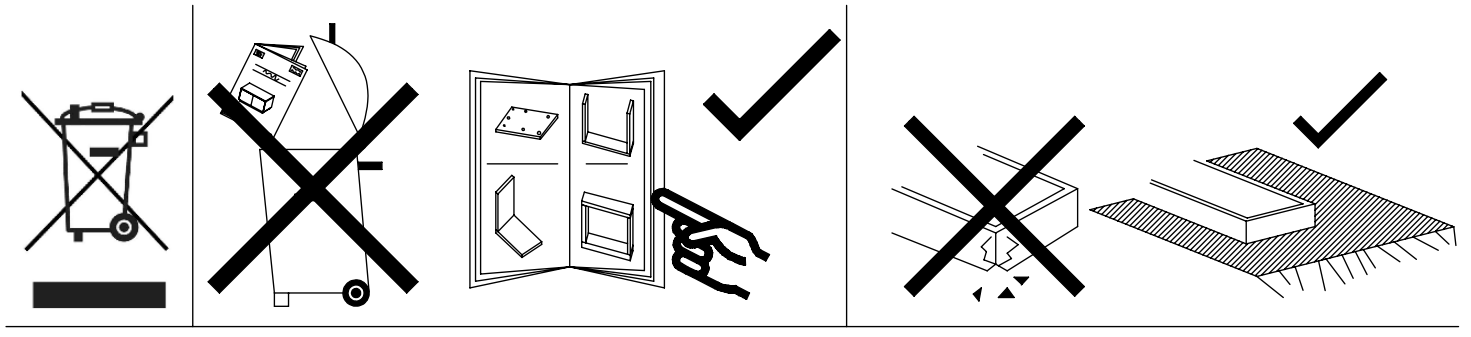
OFFICE

LIVING

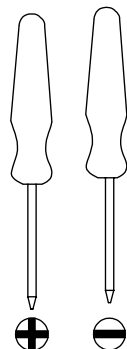
MAJA
MÖBEL

K827





90 min



26.10.2020

1

maja-moebel.de

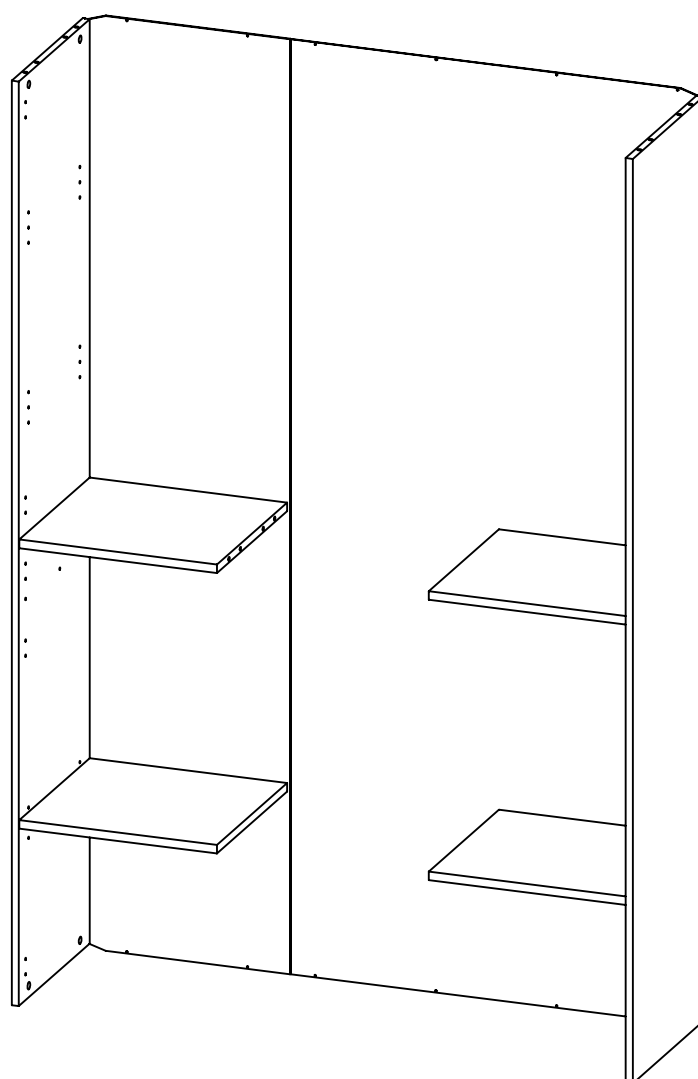
MEDIA

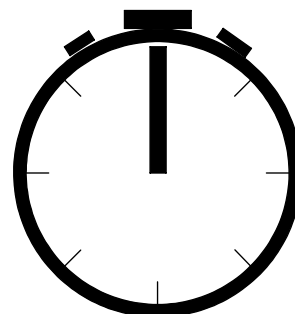
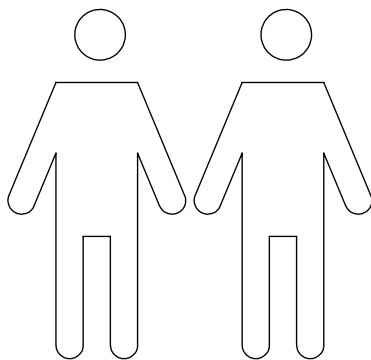
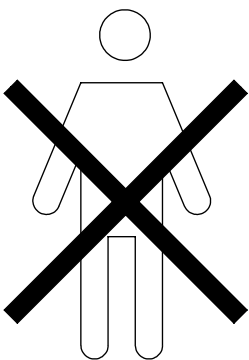
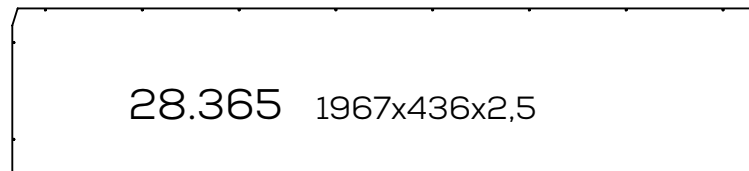
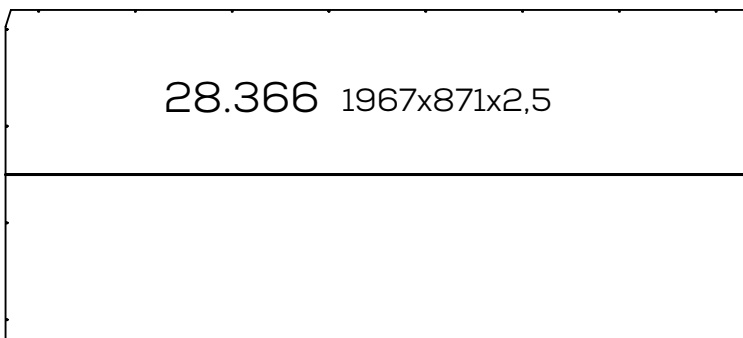
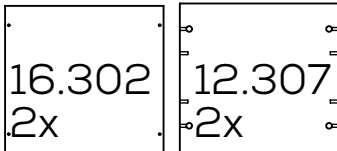
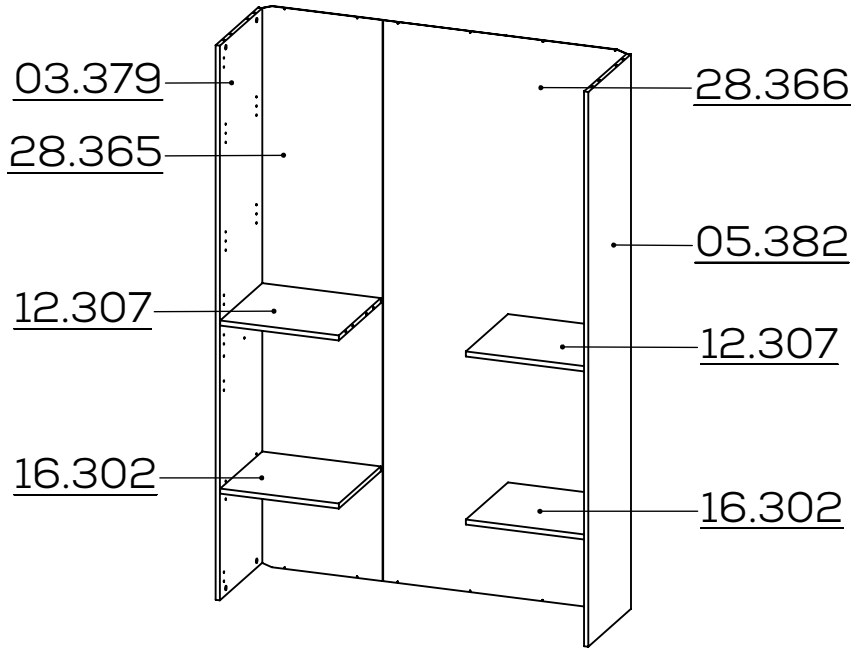
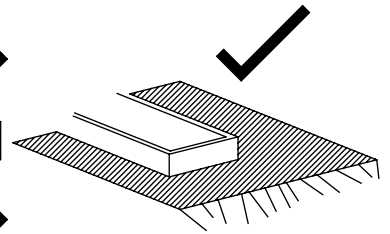
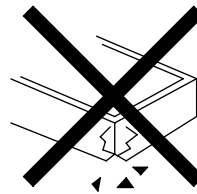
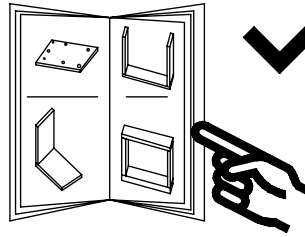
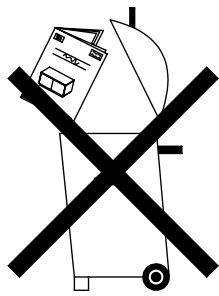
OFFICE

LIVING

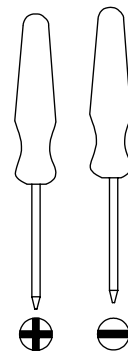
MAJA
MÖBEL

K832





90 min



26.10.2020

1

maja-moebel.de

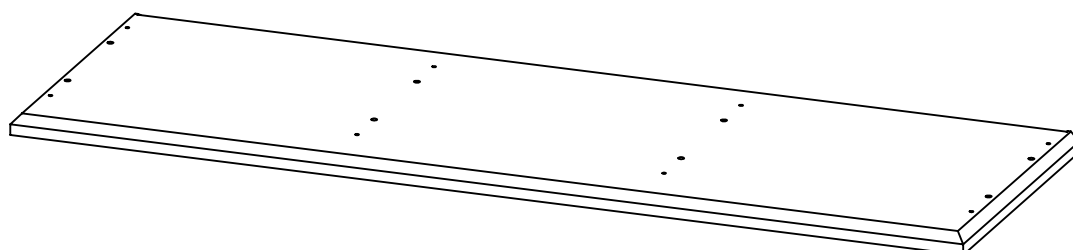
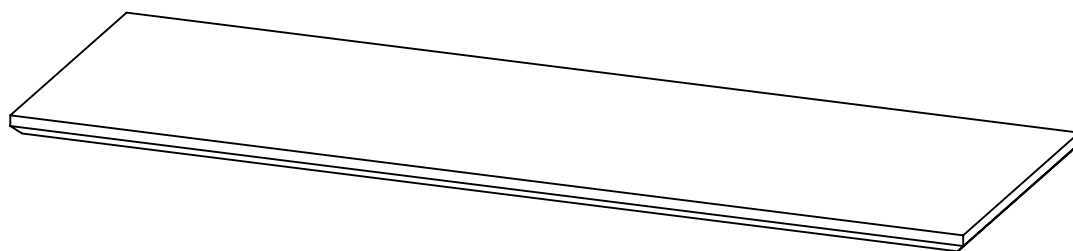
MEDIA

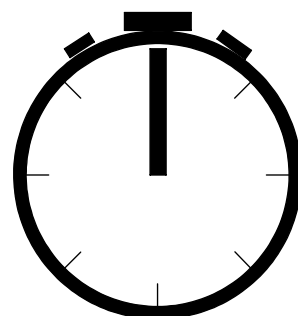
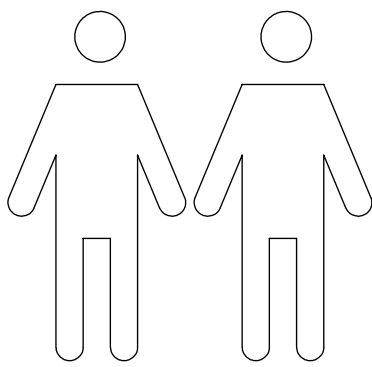
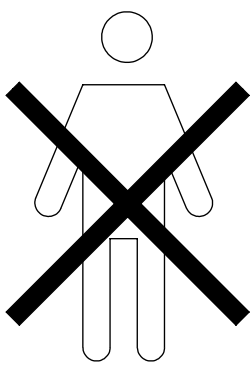
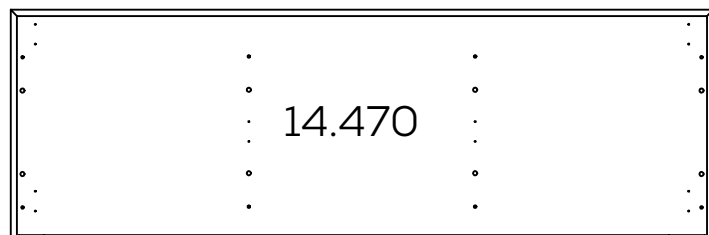
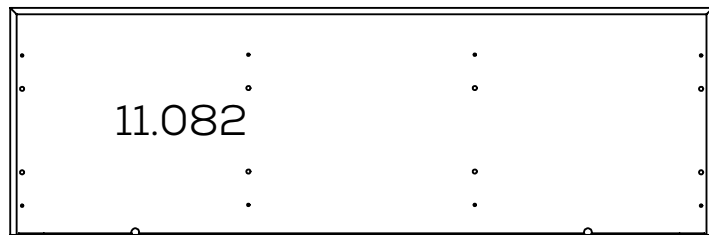
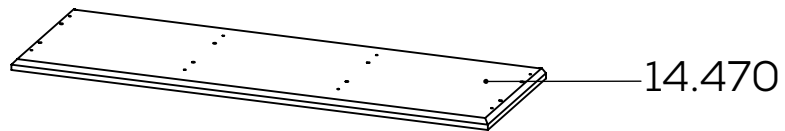
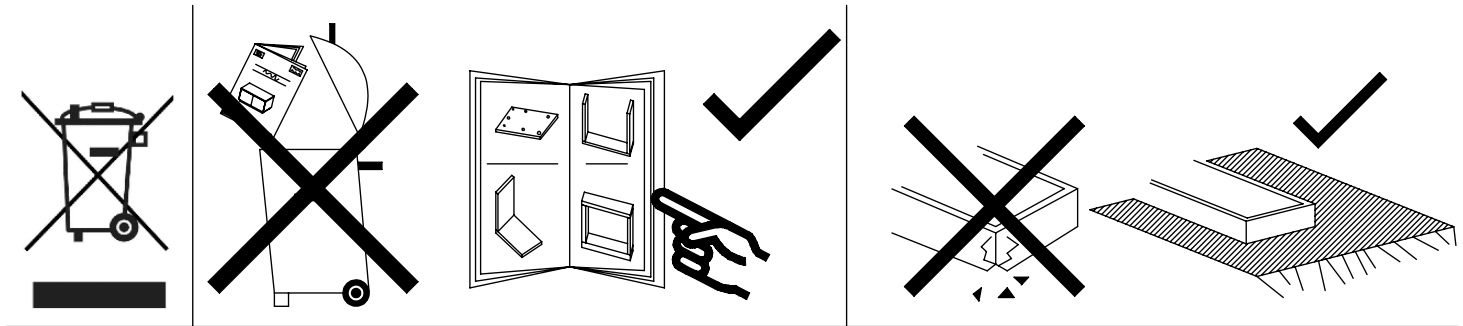
OFFICE

LIVING

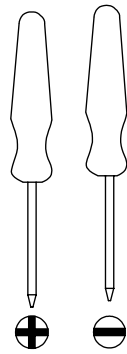
MAJA
MÖBEL

K834





90 min



21.10.2020

1

maja-moebel.de

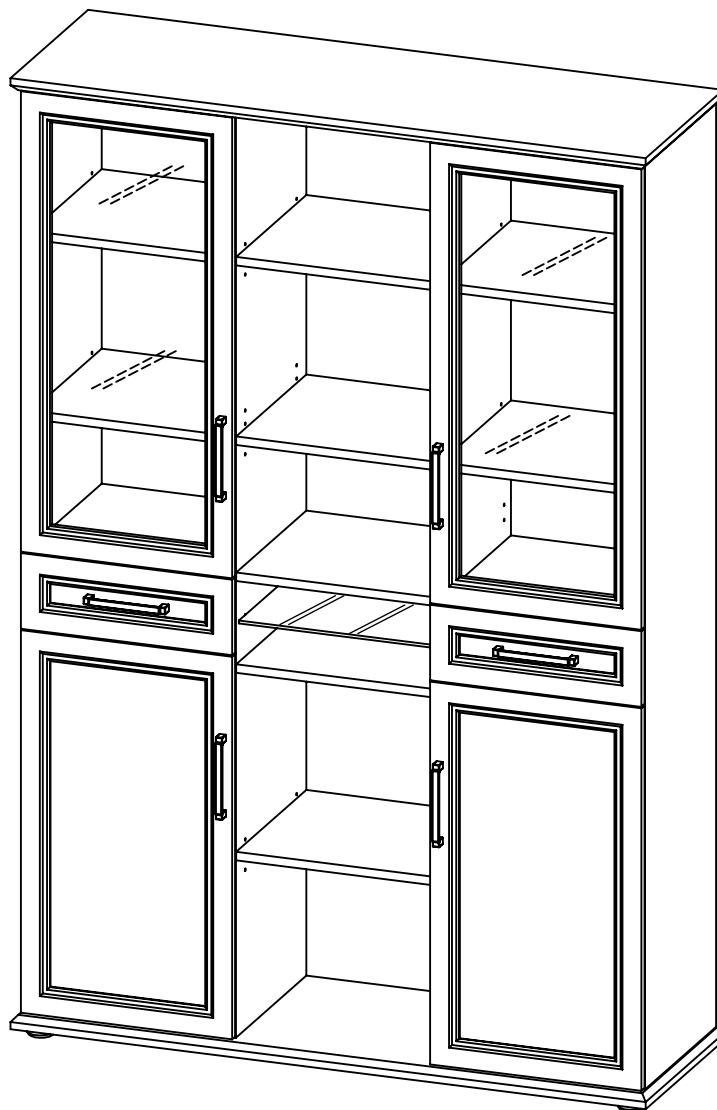
MEDIA

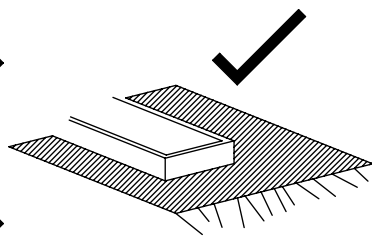
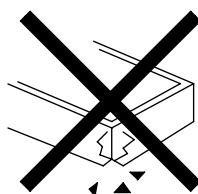
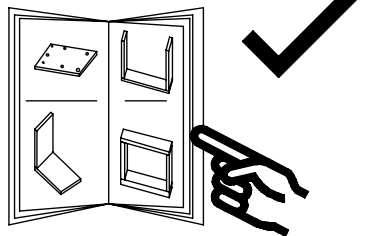
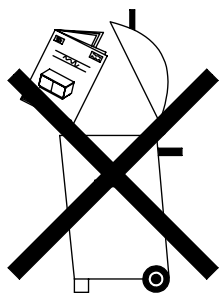
OFFICE

LIVING

MAJA
MÖBEL

K933





28.366

28.365

11.082

K574: 22.278

K575: 22.277

16.302

16.302

03.379

16.302

05.382

12.307

12.307

20.412

K574: 22.278

K575: 22.277

Glas
413x386x6mm

20.412

16.302

16.302

07.499

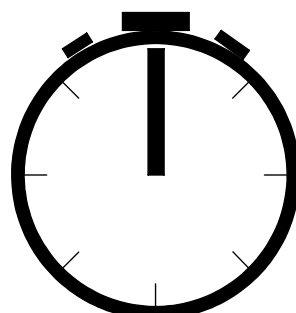
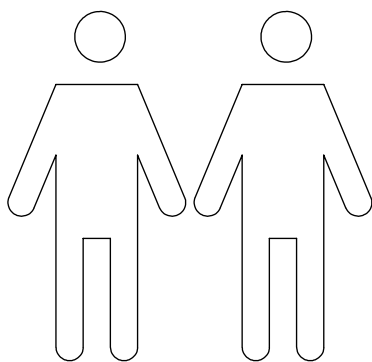
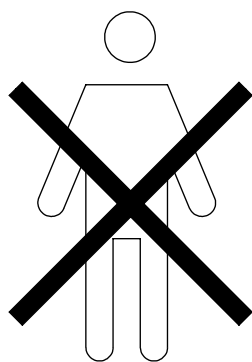
16.302

07.499

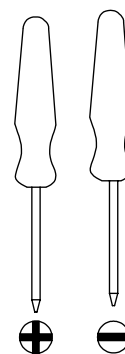
22.276

22.276

14.470



90 min

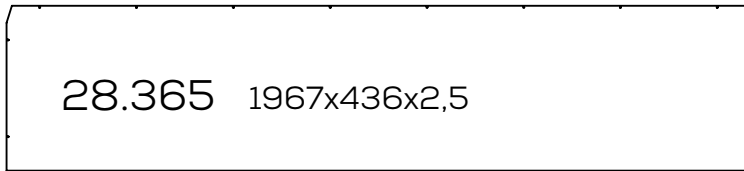
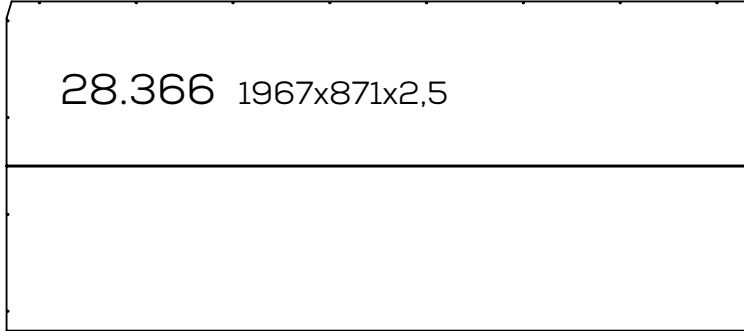
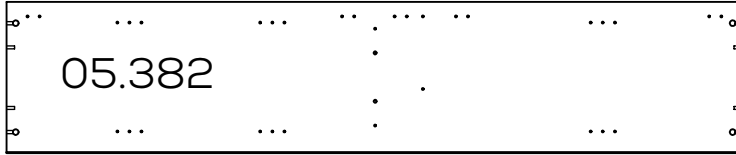
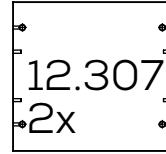
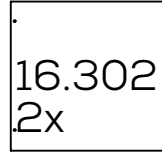


02.11.2020

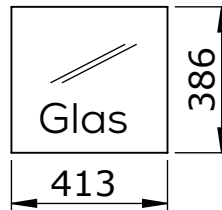
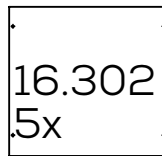
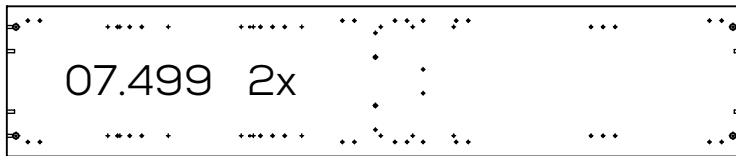
1

maja-moebel.de

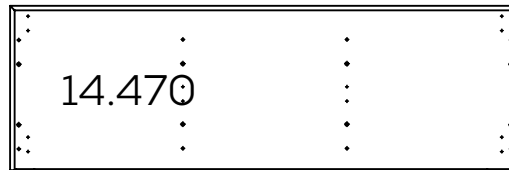
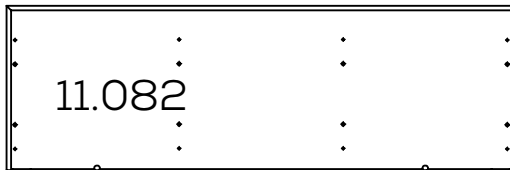
K832



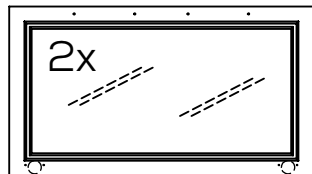
K825



K834



K574/K575

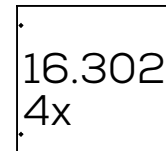


K574: 22.278

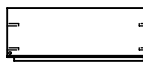
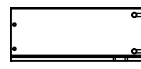
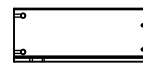
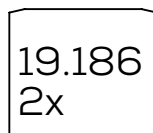
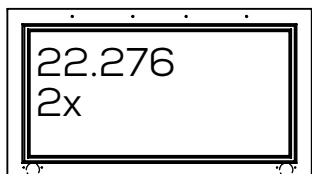
K575: 22.277 (Glas)
E709796 (1x)



K827



K573



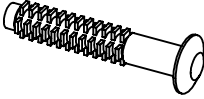
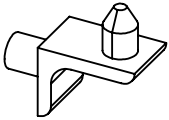

Filz
(2x)

E709407
378 x 333 x
3,5 mm

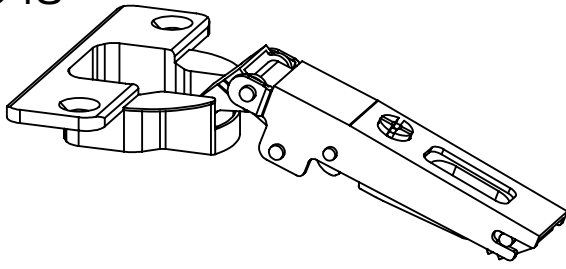
17.11.2020

2

maja-moebel.de

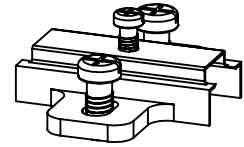
<p>E701000</p>  <p>24x</p>	<p>E701153</p>  <p>24x</p>	<p>E701231</p>  <p>32x</p>	<p>E701149</p>  <p>8x</p>
<p>E700020</p>  <p>16x Ø 3,5 x 13mm</p>	<p>E700060</p>  <p>48x Ø 3,5 x 17 mm</p>	<p>E701010</p>  <p>8x Ø 6,0 x 40mm</p>	<p>E702016</p>  <p>44x</p>
<p>E700570</p>  <p>8x M4 x 27mm</p>	<p>E700570</p>  <p>4x M4 x 12mm</p>	<p>E709318</p>  <p>1x</p>	
<p>E706300</p>  <p>6x</p>	<p>E700000</p>  <p>13x Ø 4,0 x 15mm</p>	<p>E700700</p>  <p>2x</p>	<p>E700140</p>  <p>8x Ø 6,3 x 13mm</p>
<p>E710233</p>  <p>6x</p>			<p>E703408</p>  <p>4x</p>
<p>E704475(1x) + E704476(2x)</p>  <p>6x</p>		<p>E702020</p>  <p>4x</p>	

E705048



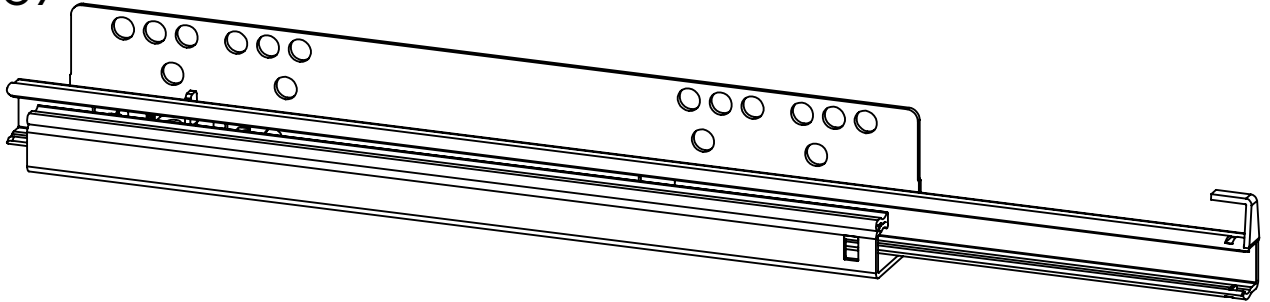
8x

E705071



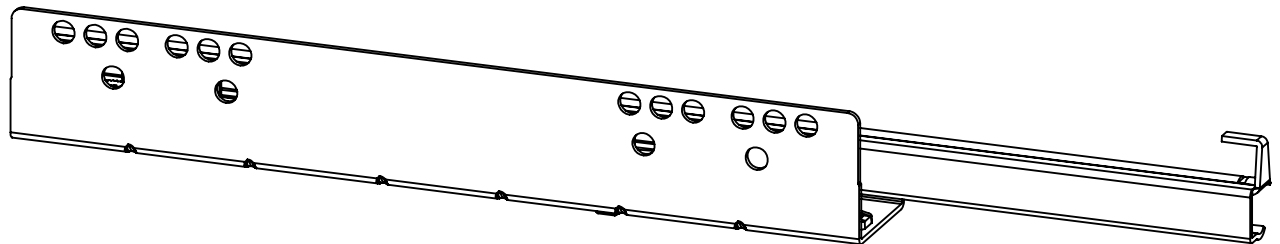
8x

E703107

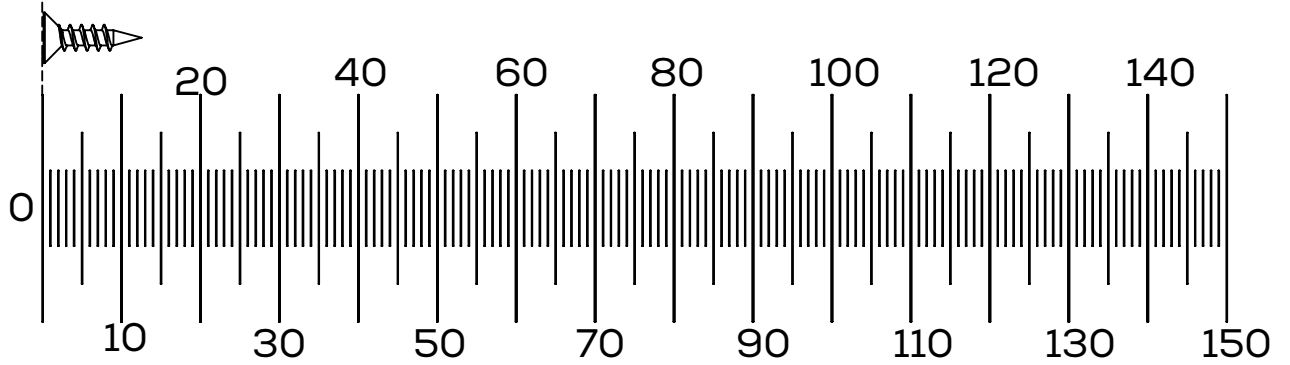
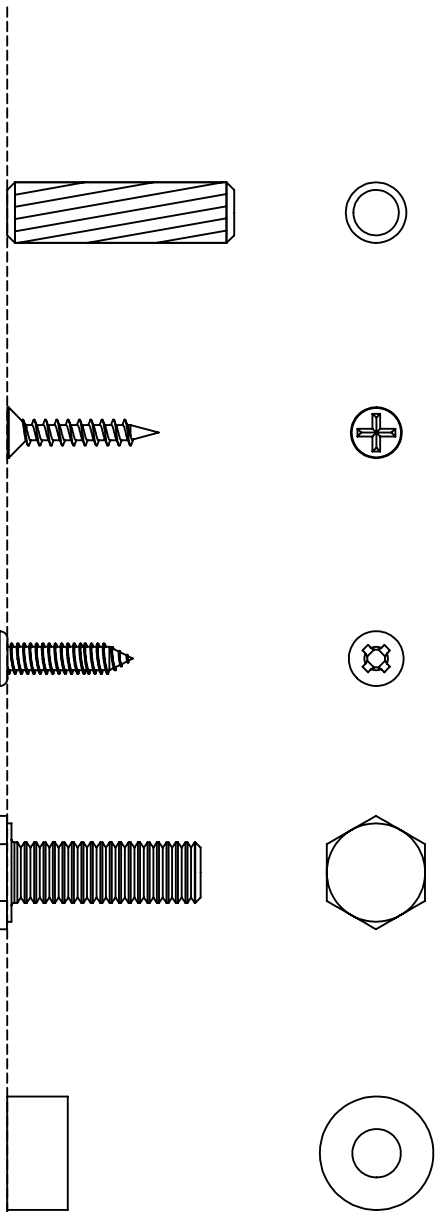


2x

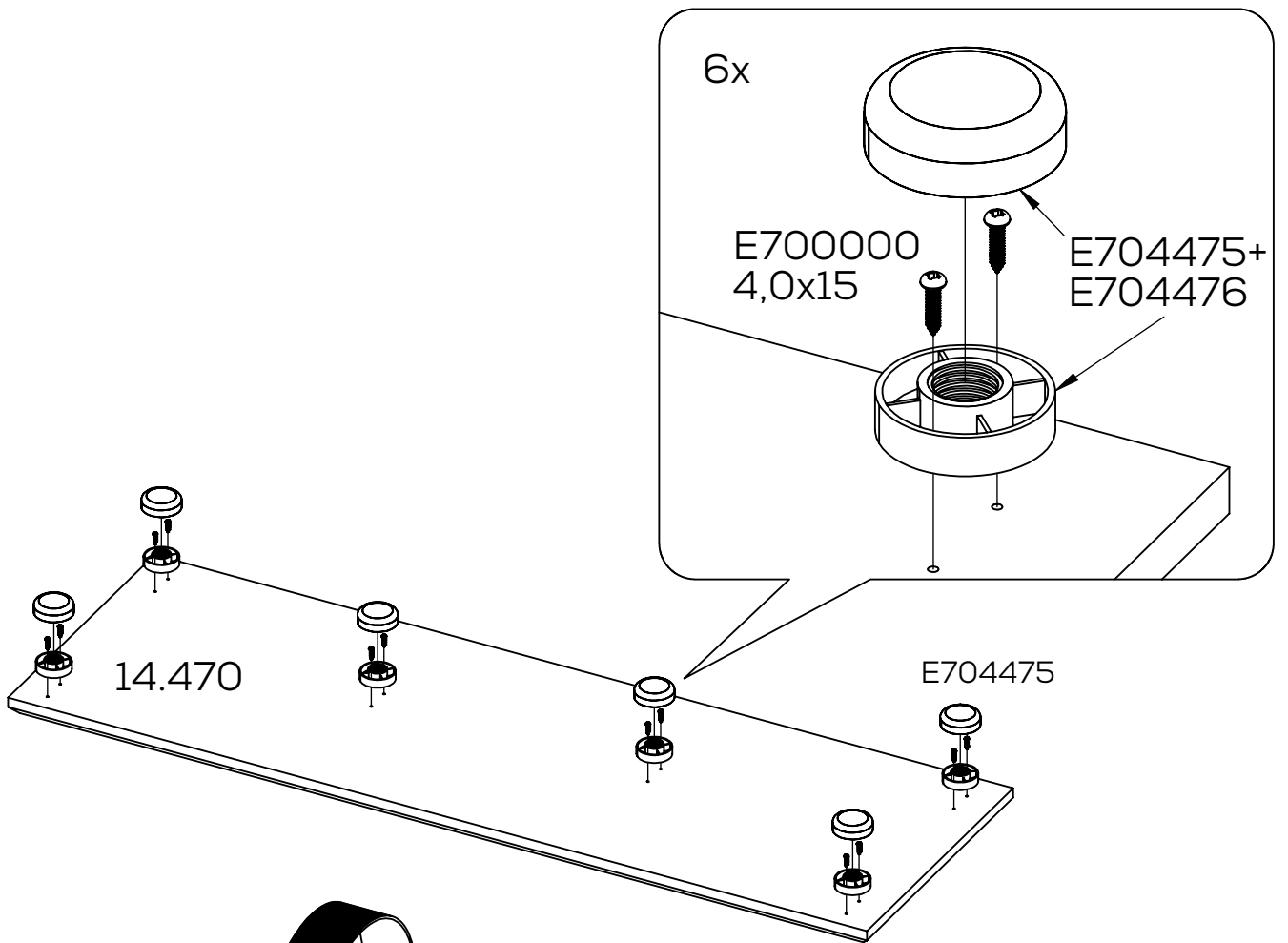
E703108



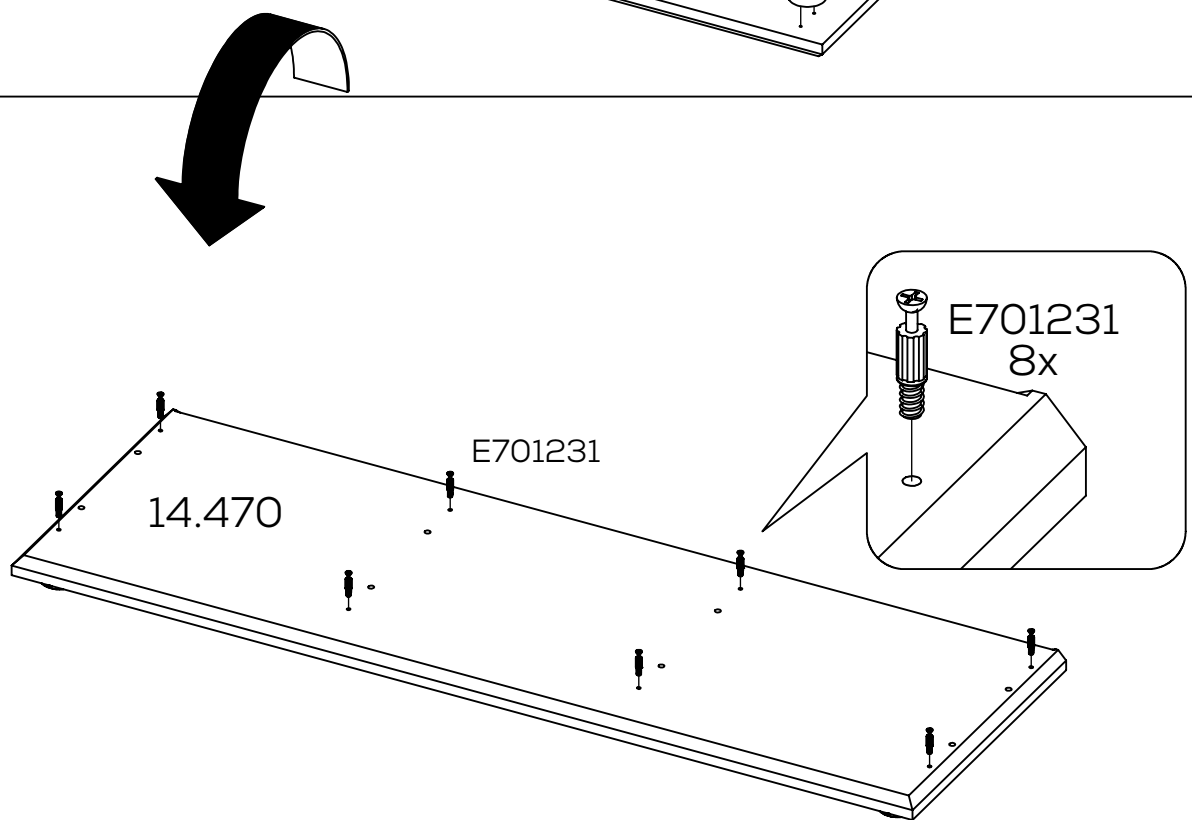
2x

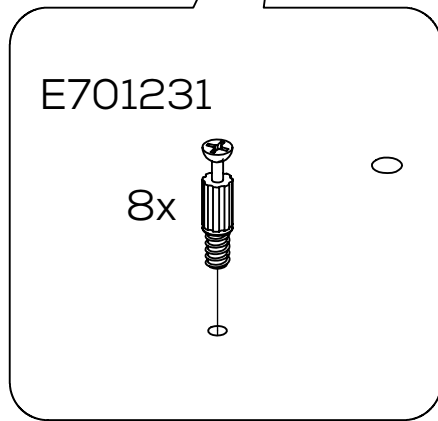
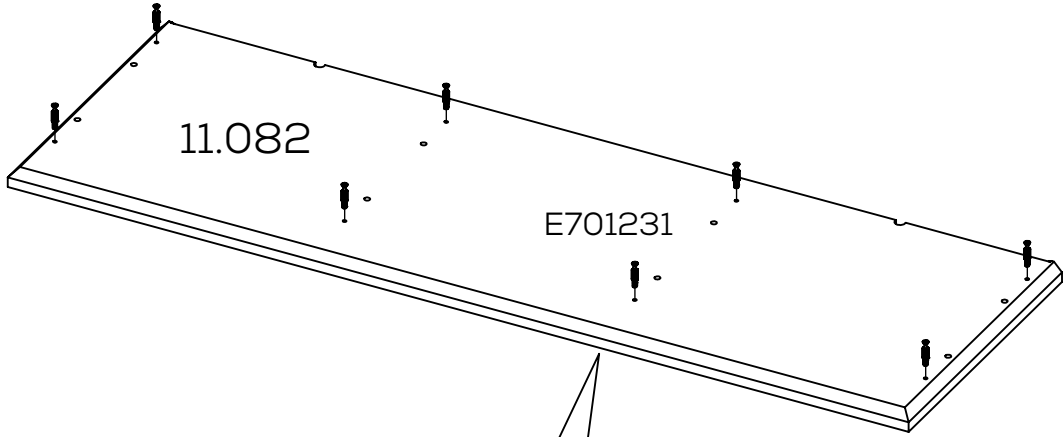


1

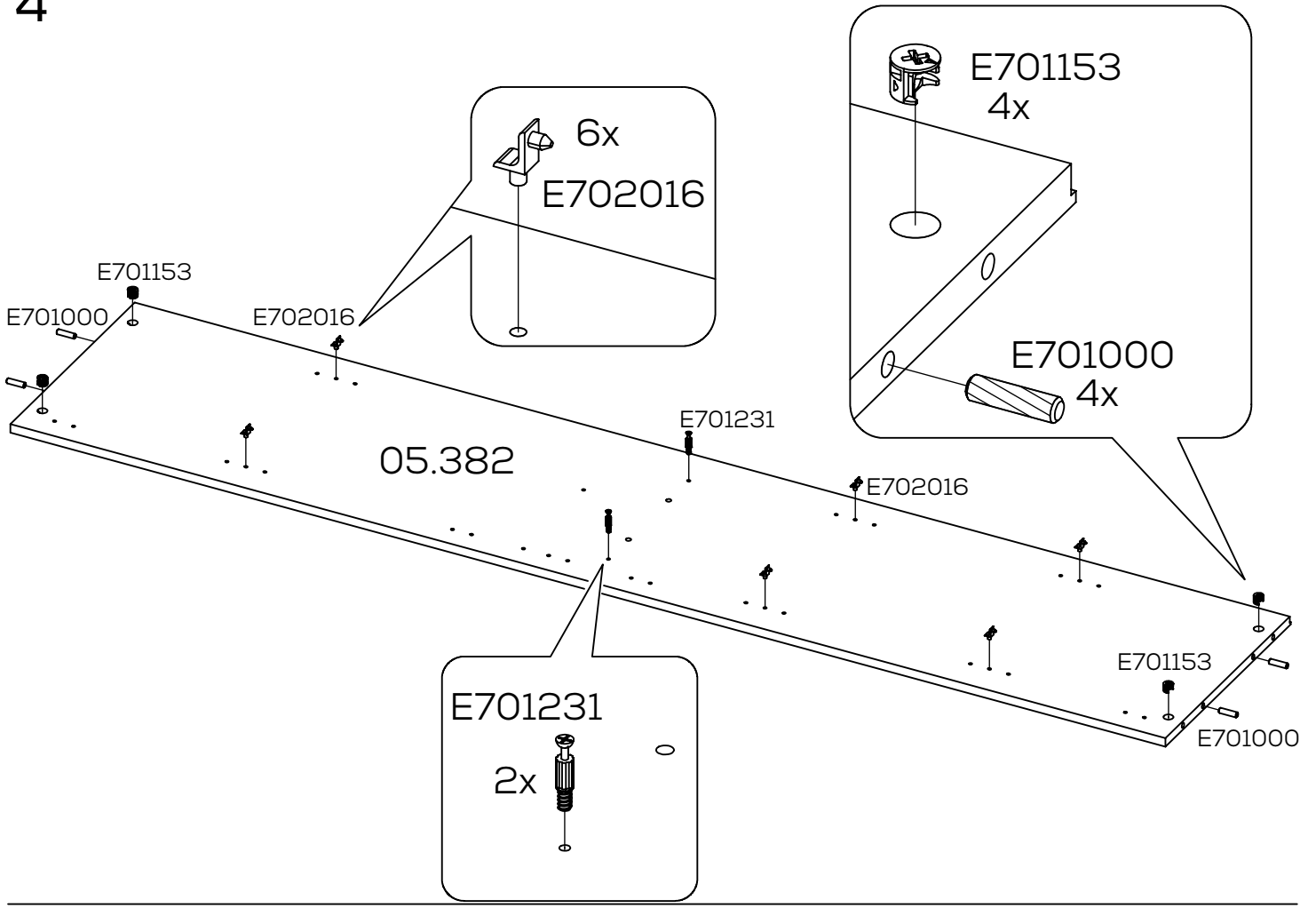


2

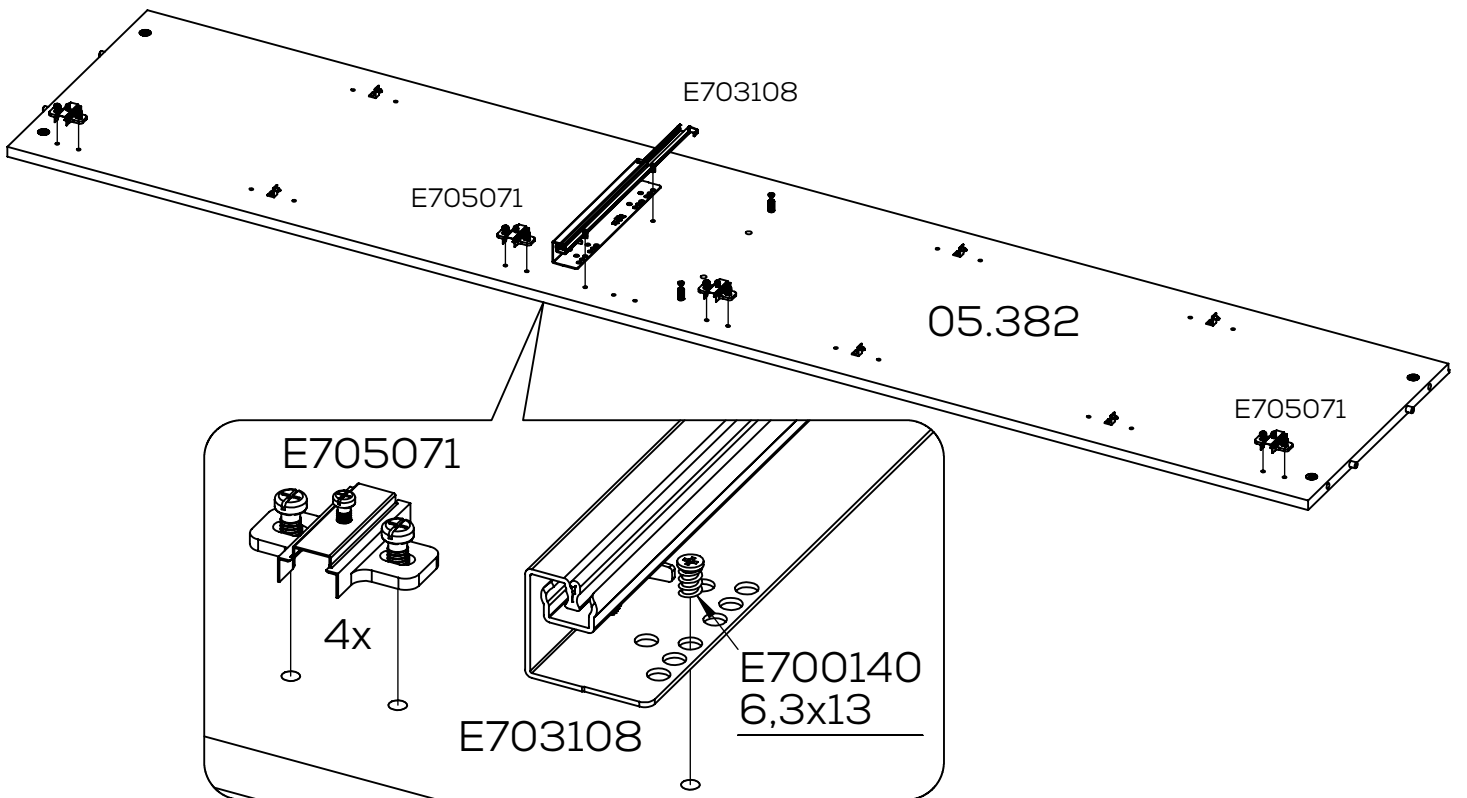




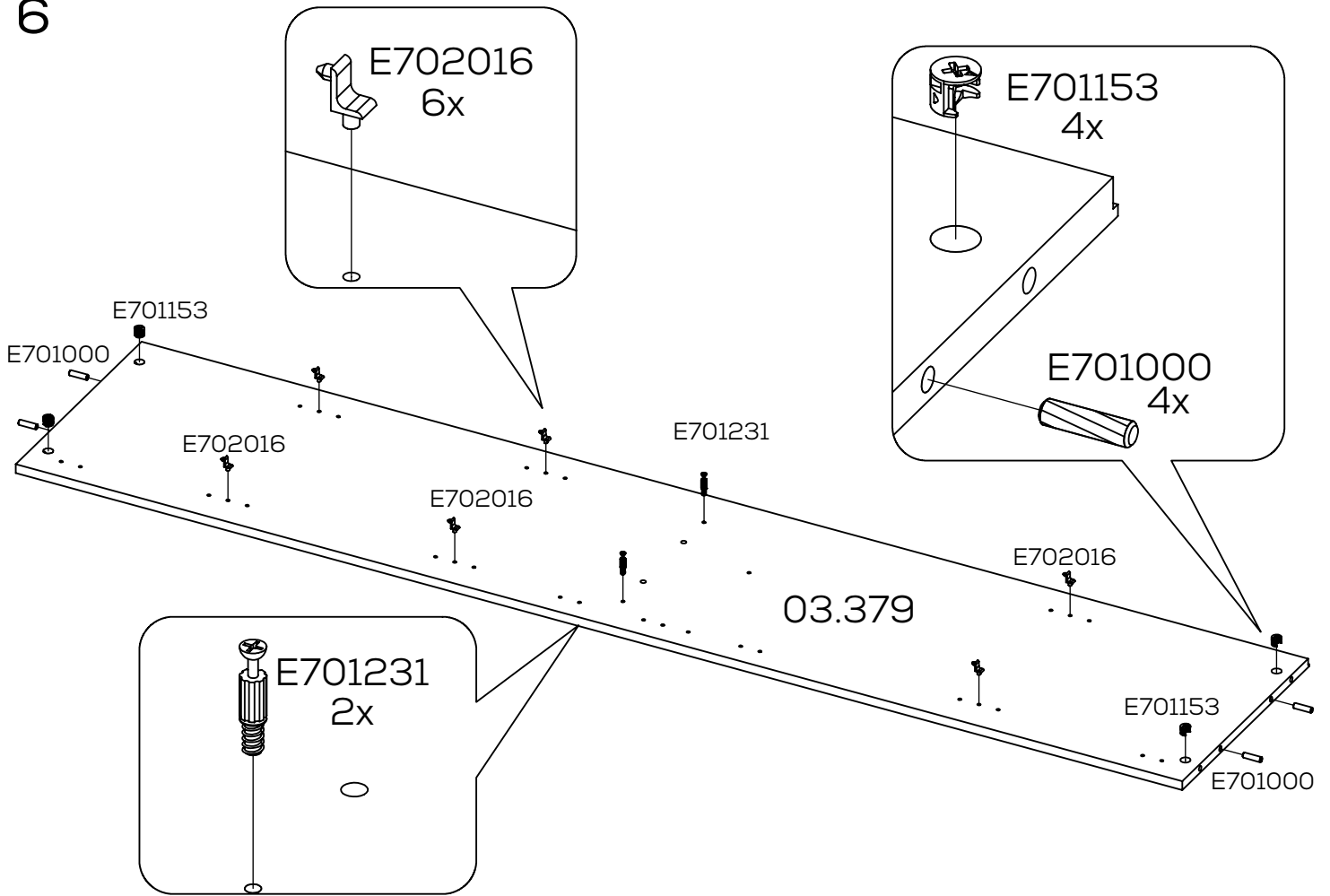
4



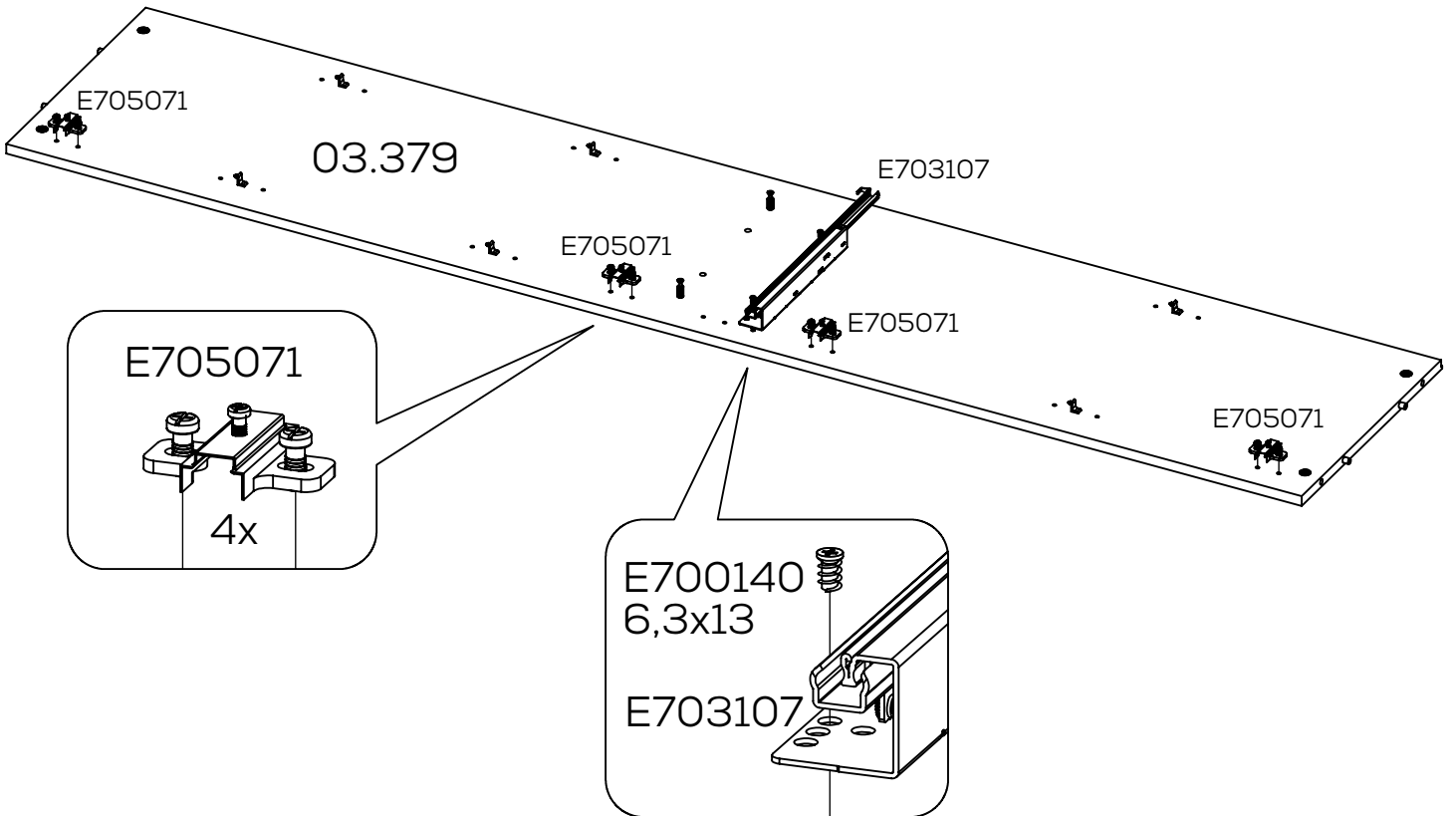
5

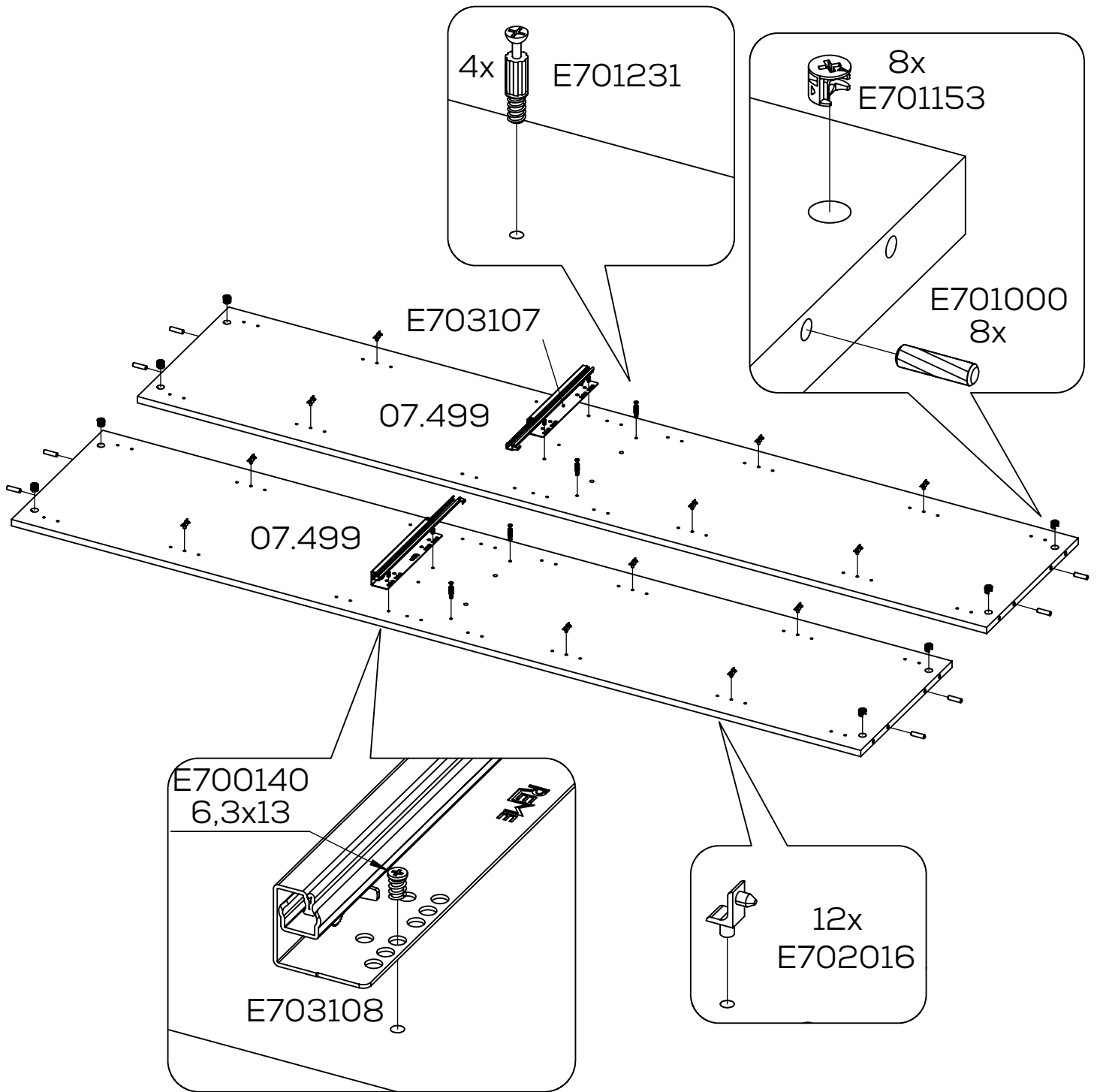


6

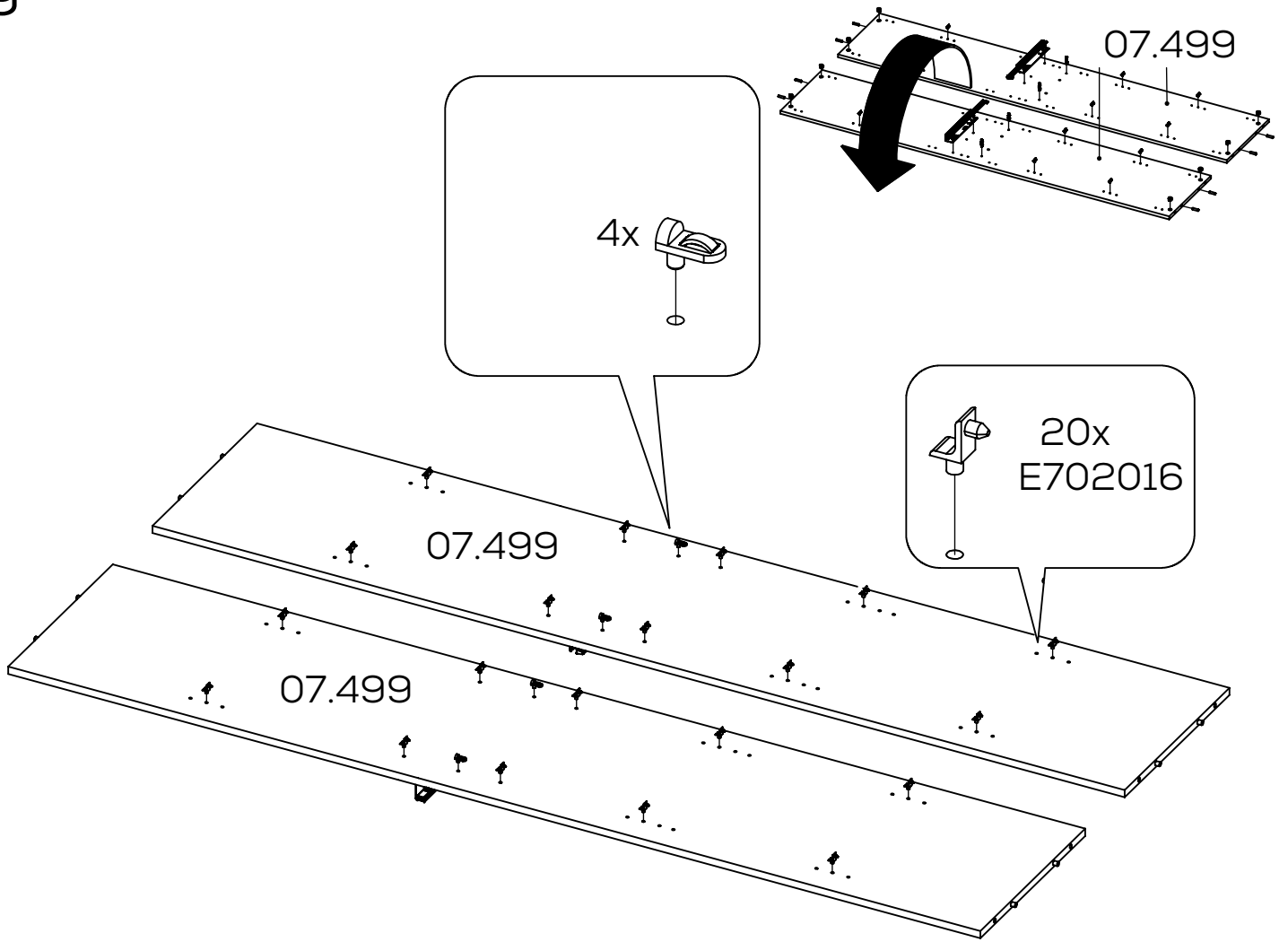


7

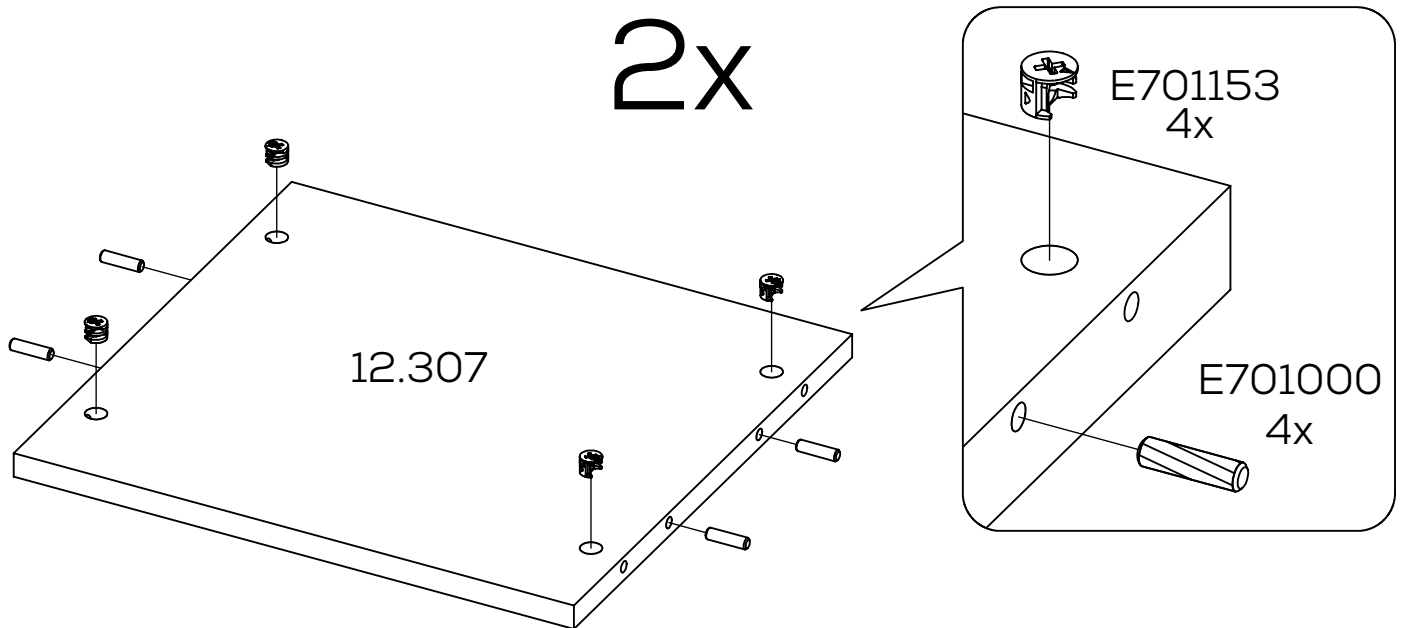




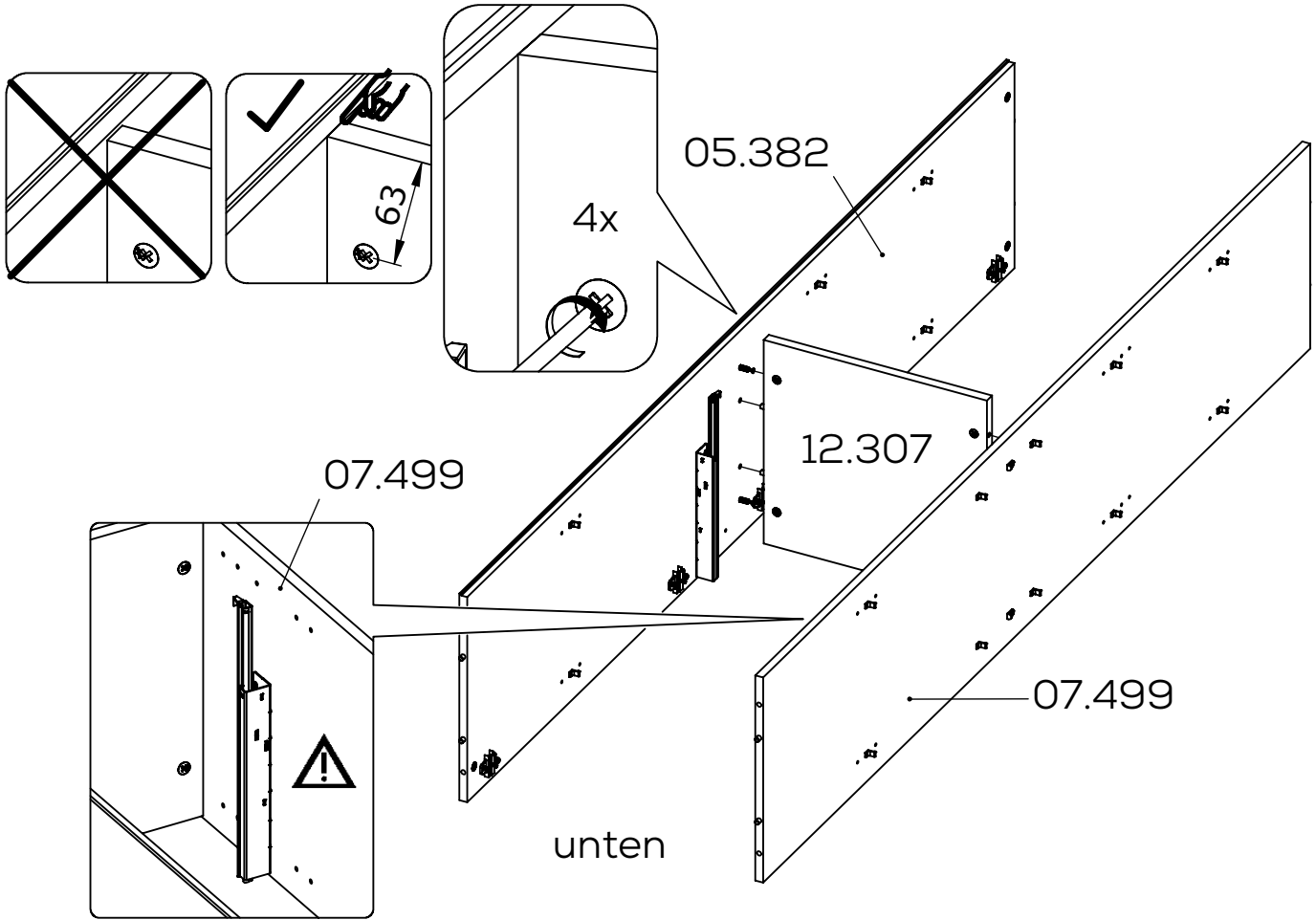
9



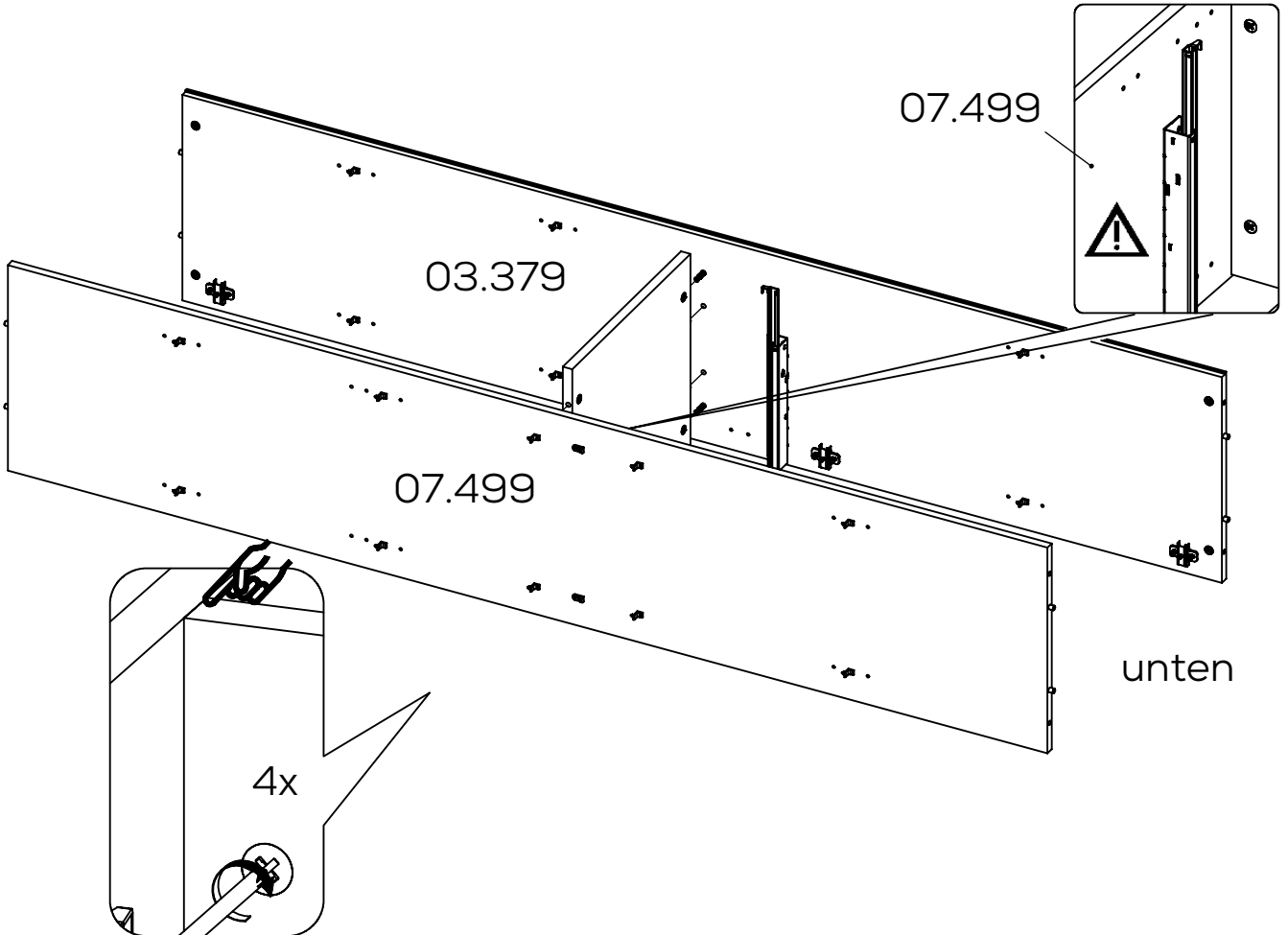
10



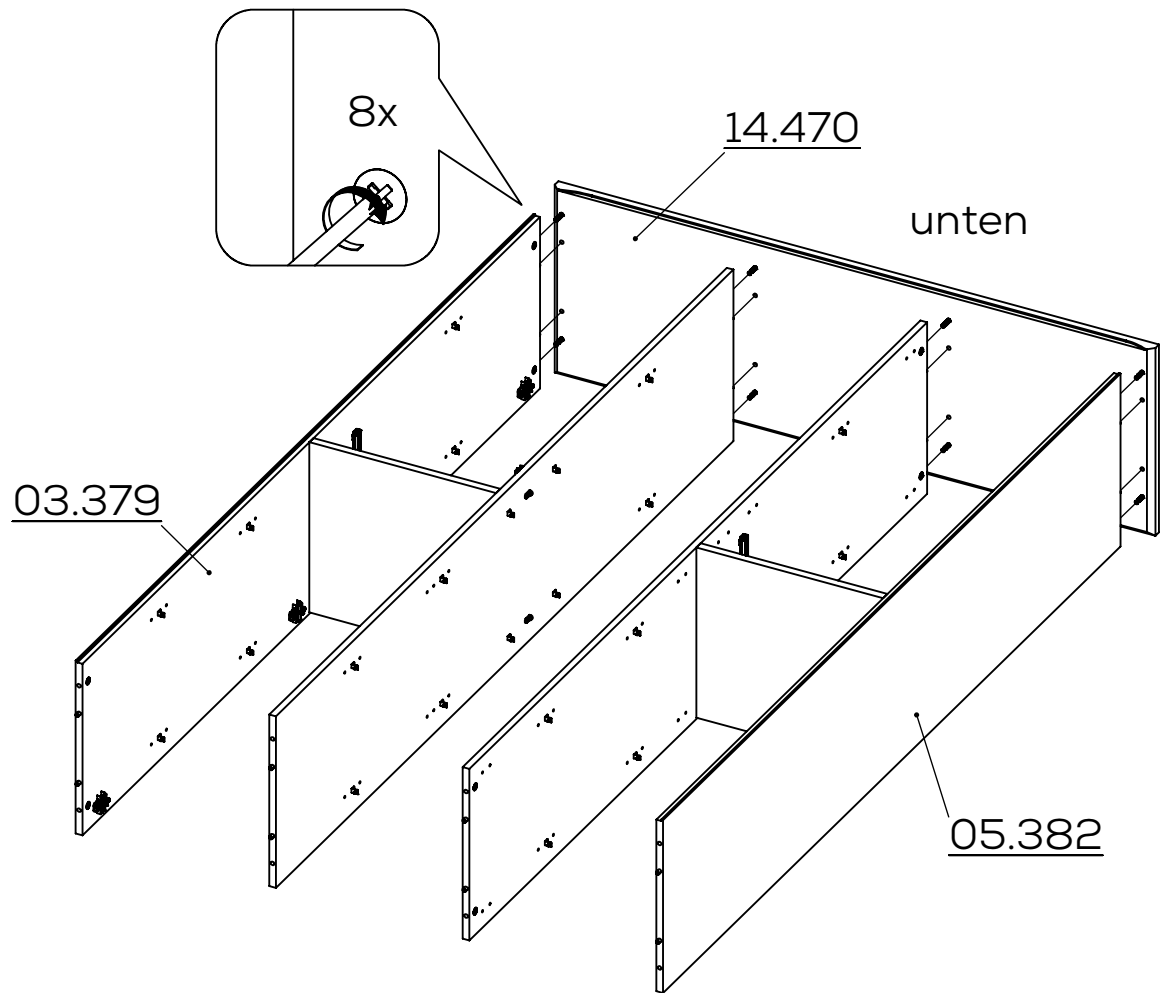
11



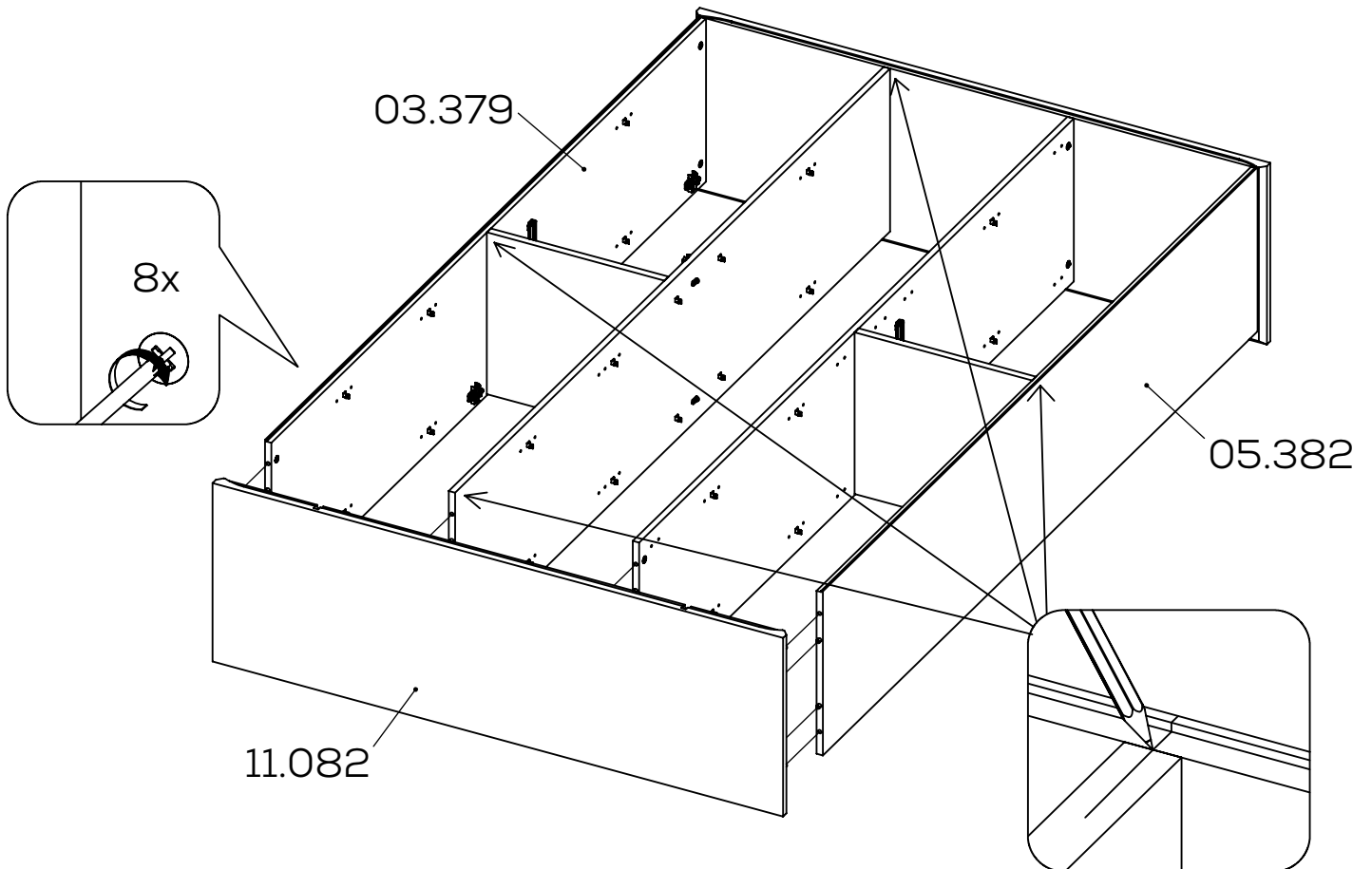
12

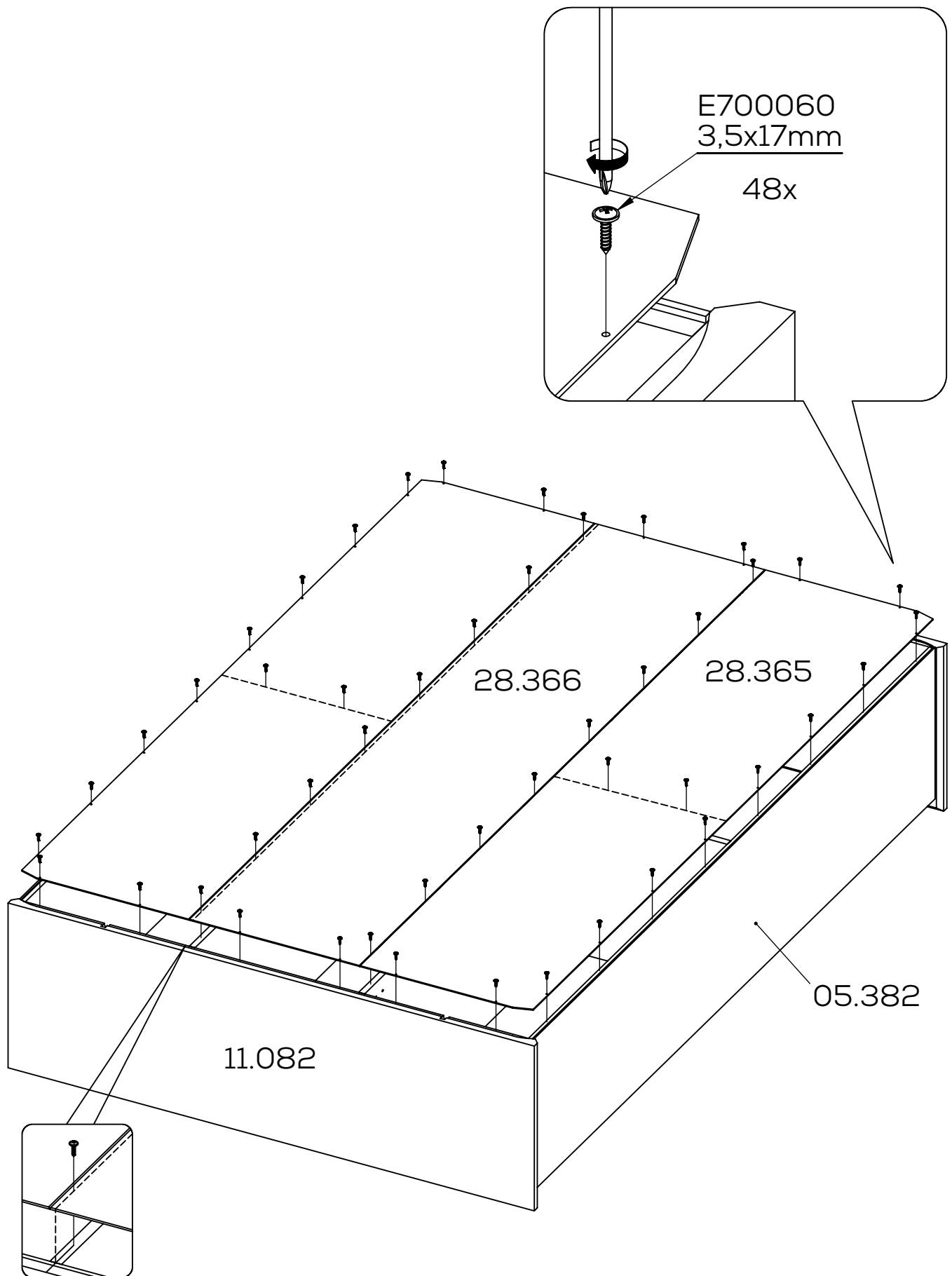


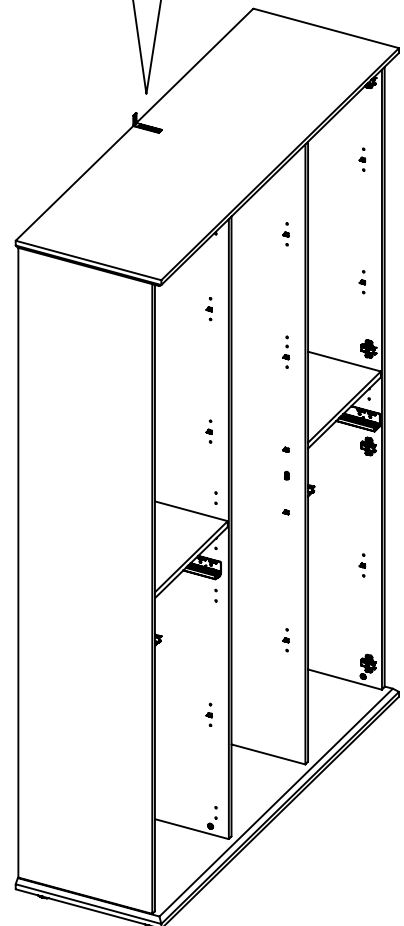
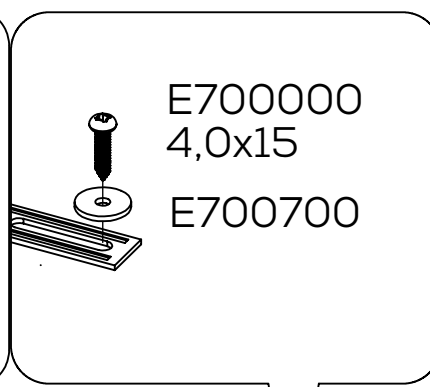
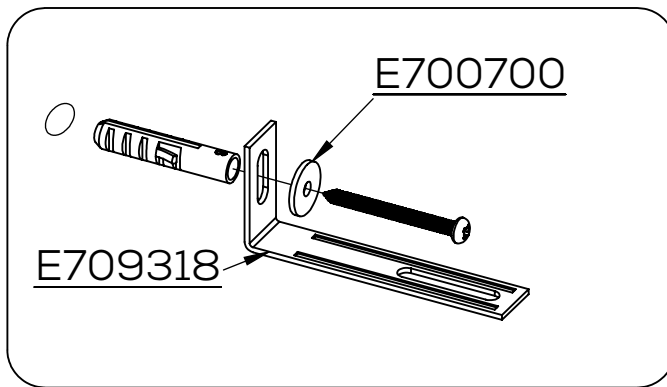
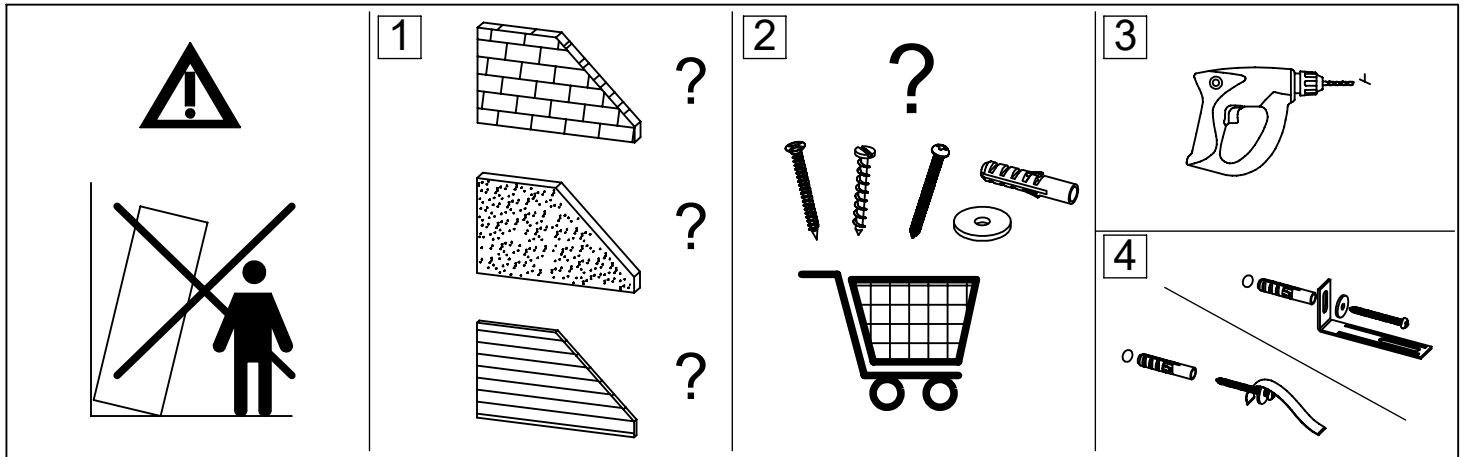
13



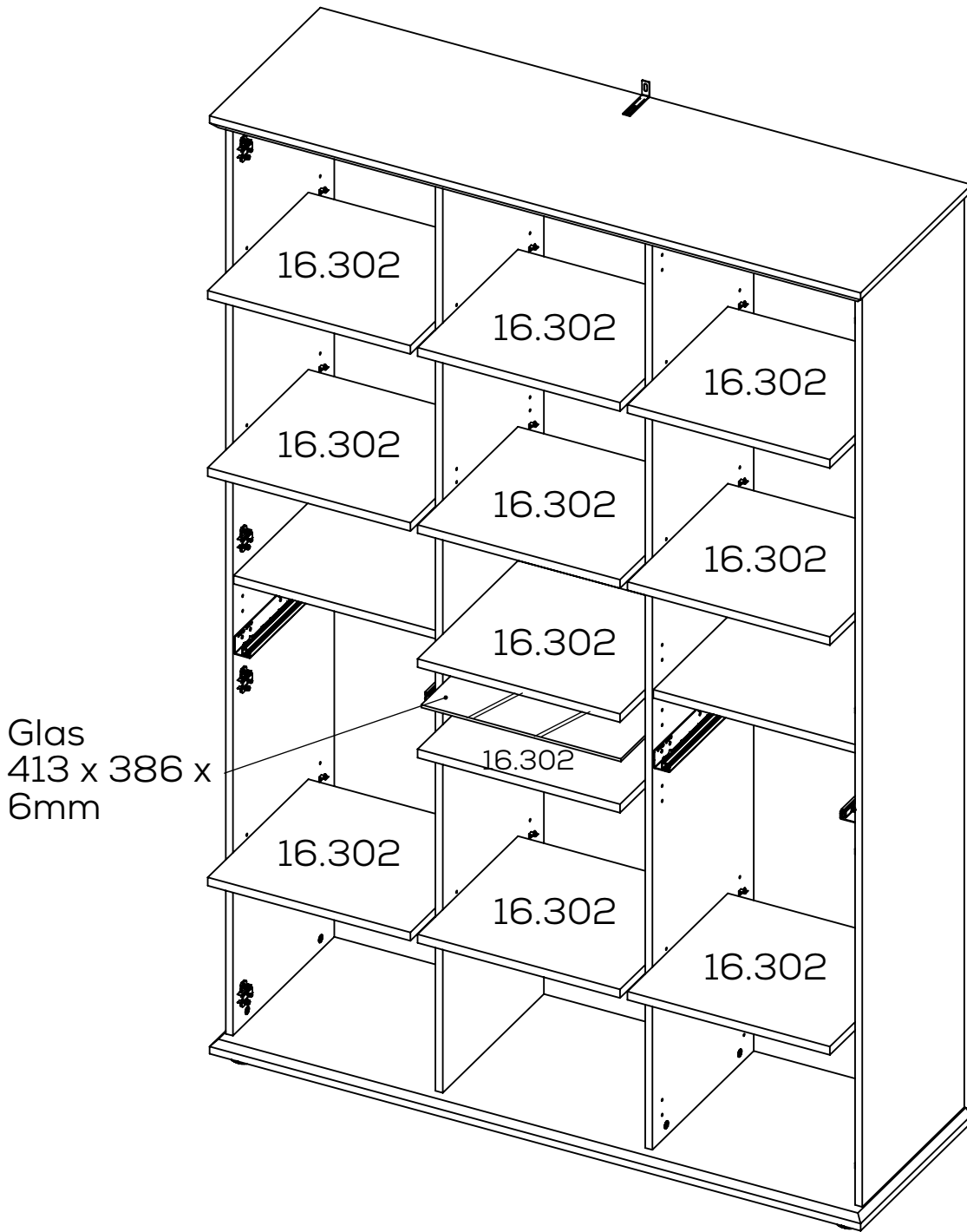
14



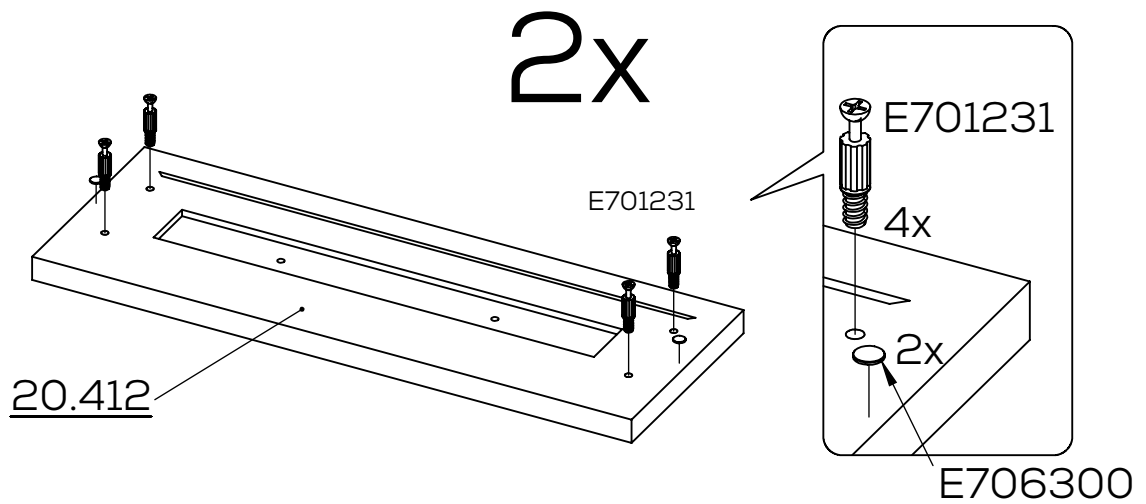




17

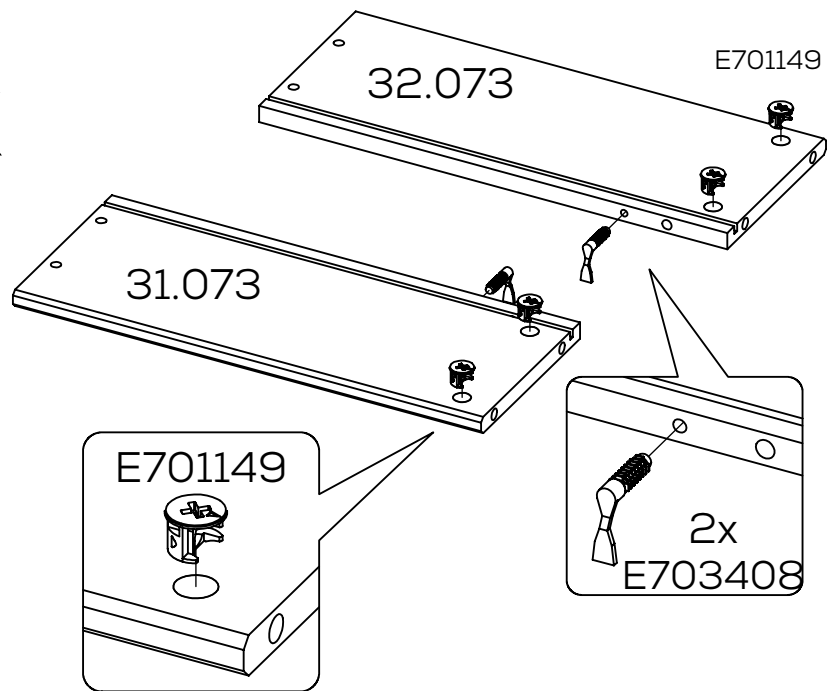


18



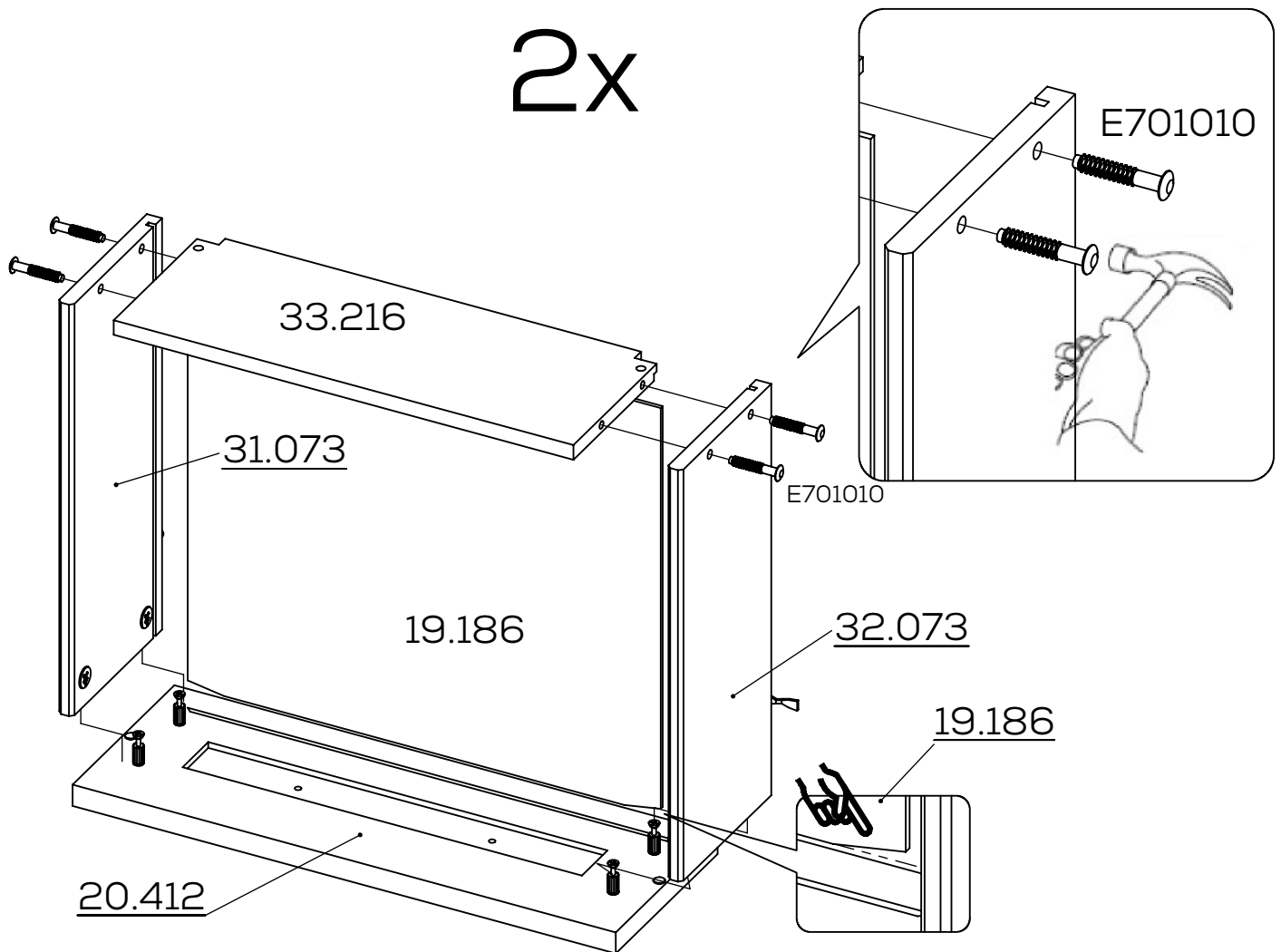
19

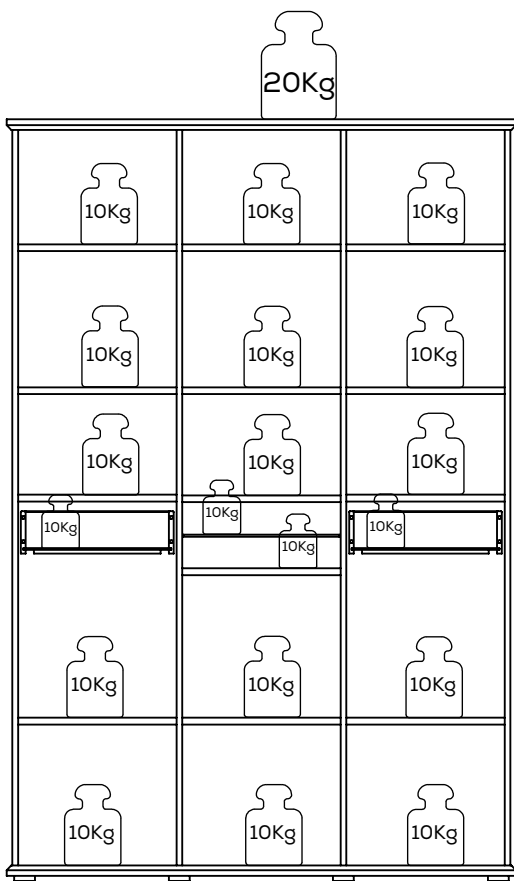
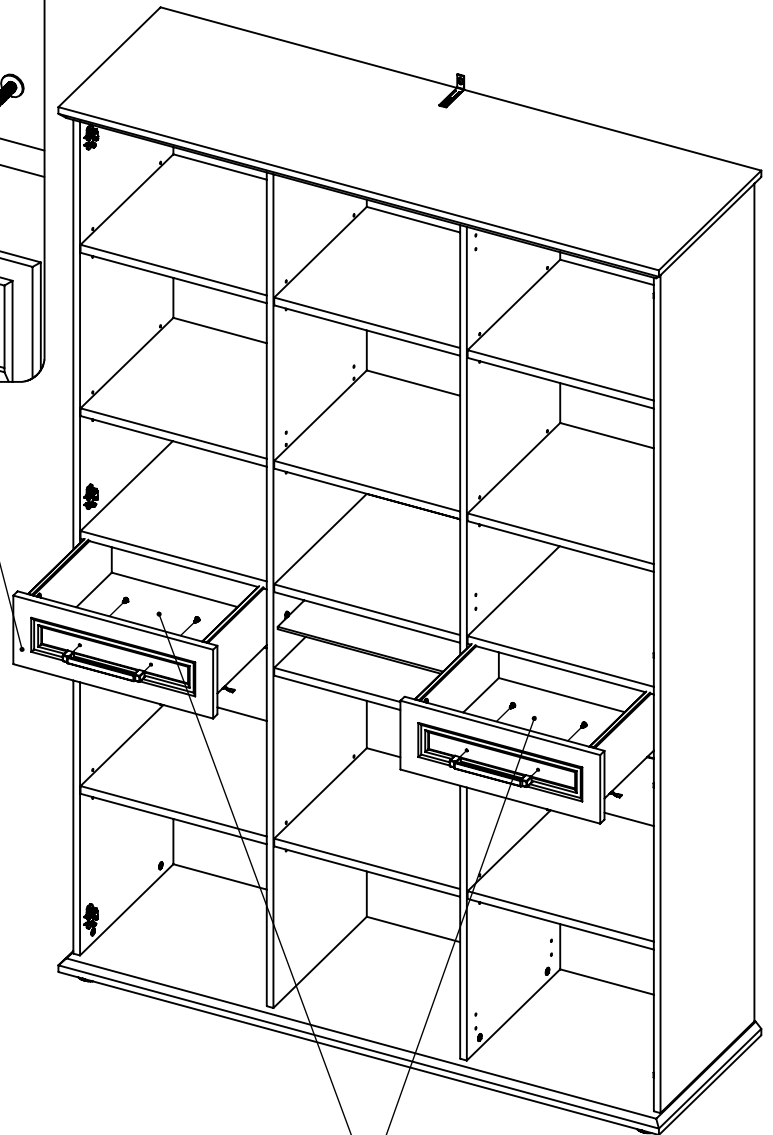
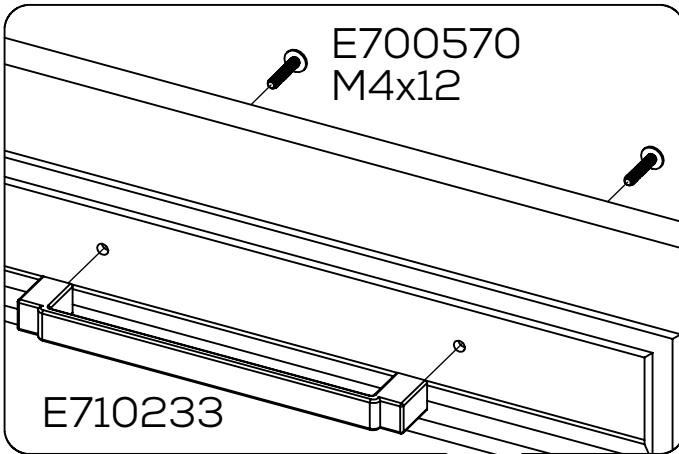
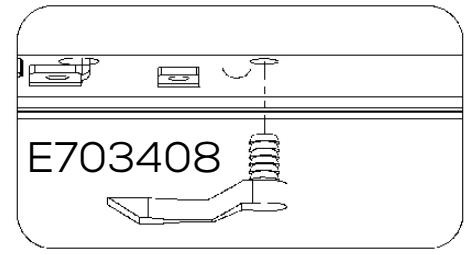
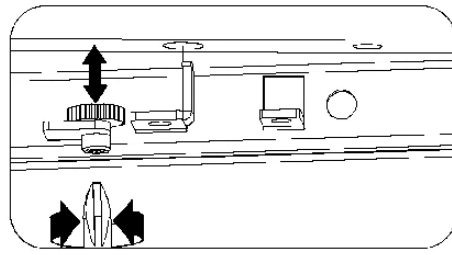
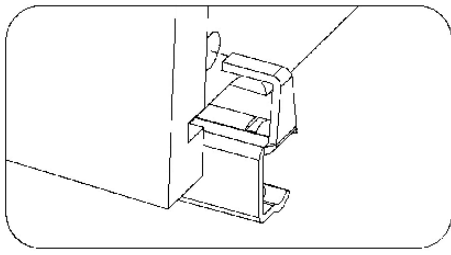
2x



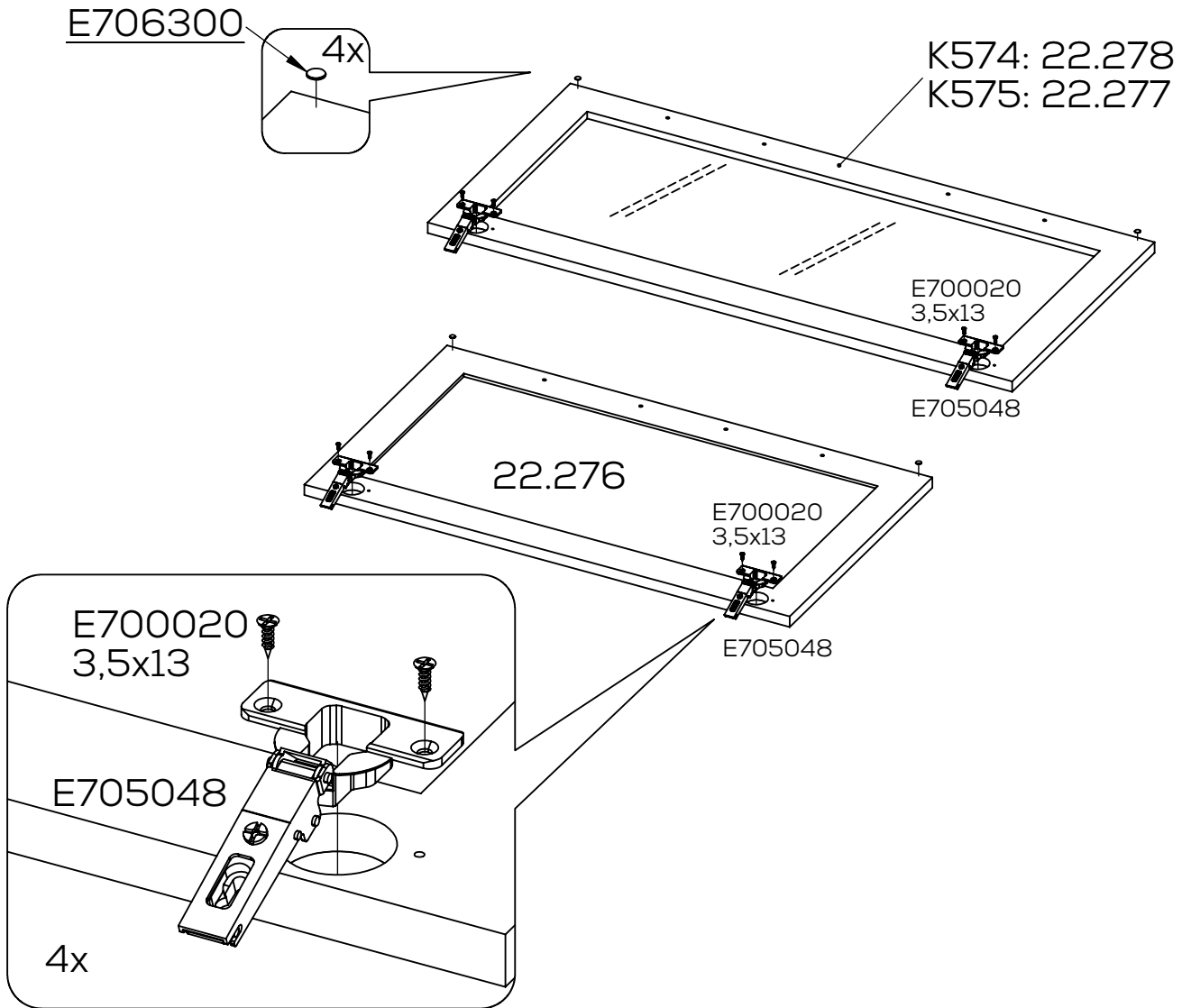
20

2x

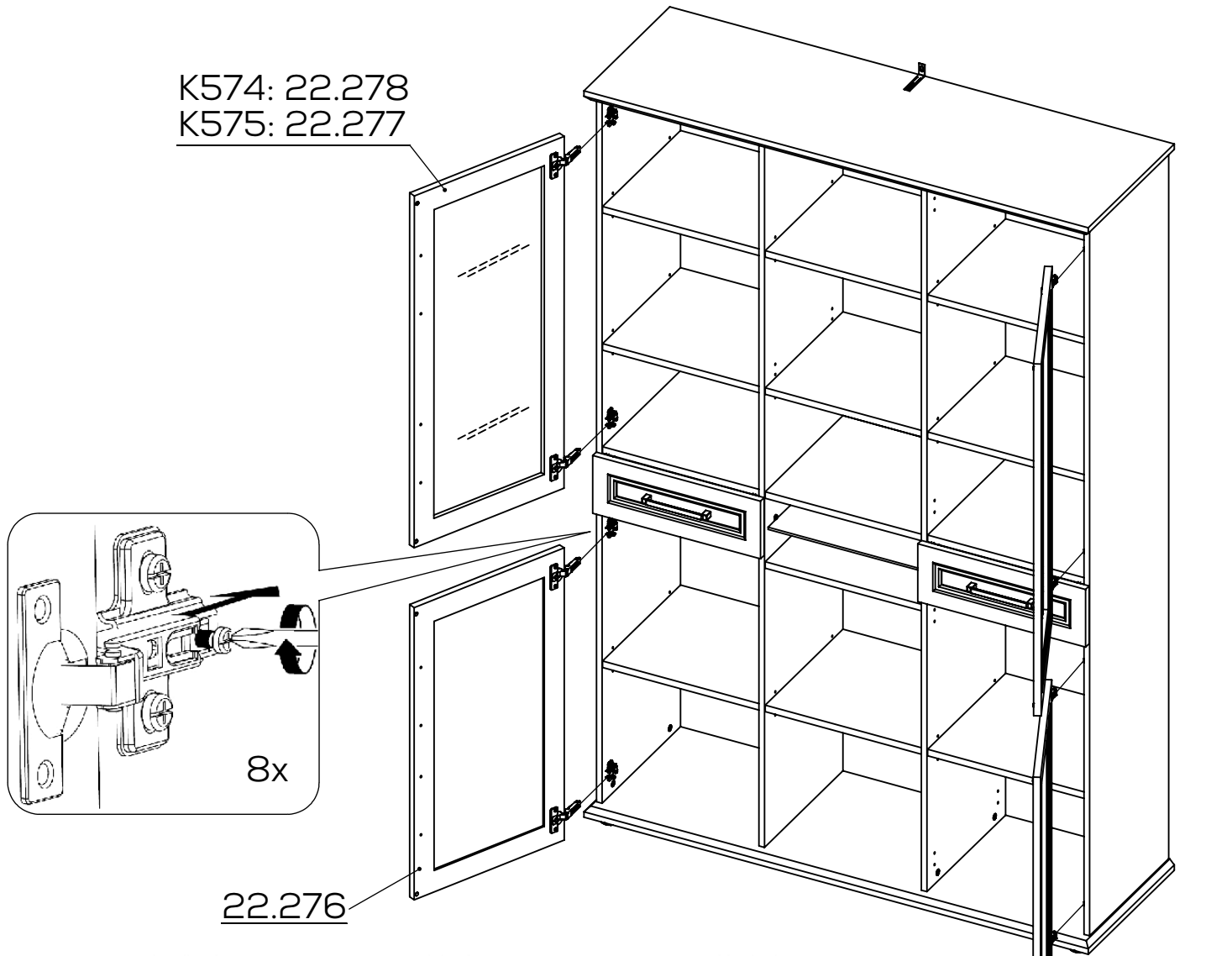




2x



K574: 22.278
K575: 22.277



22.276

22.276

