

MEDIA

OFFICE

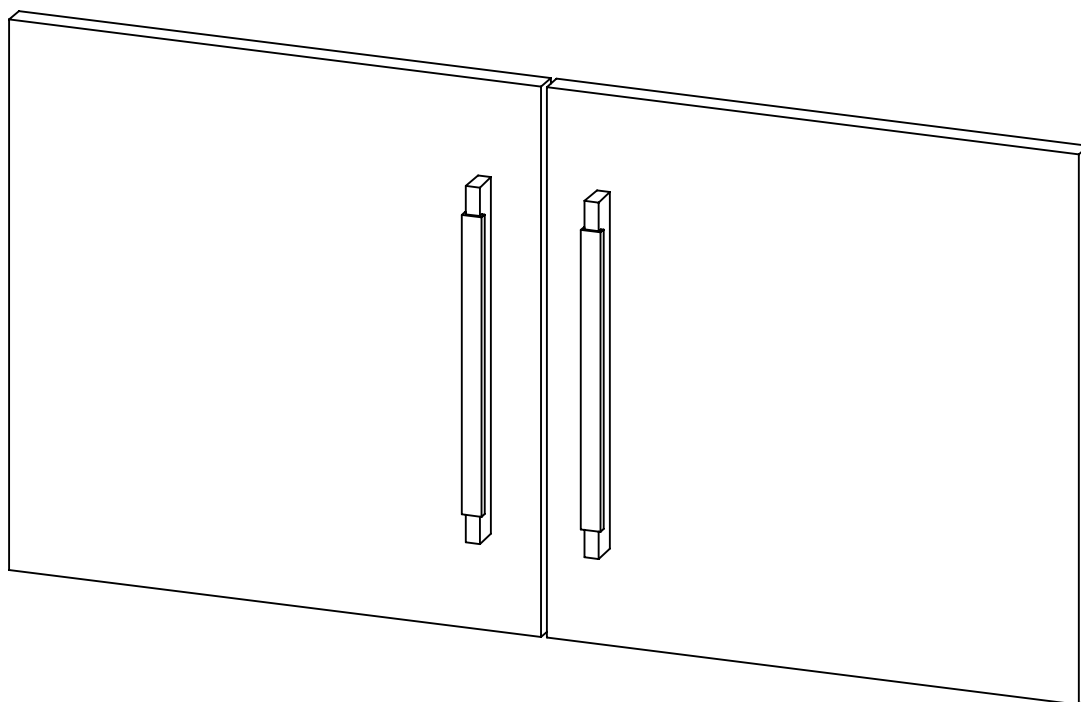
LIVING

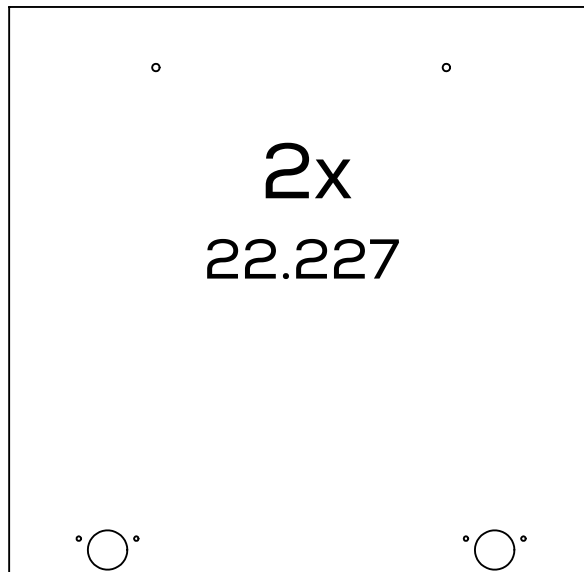
**MAJA**  
**MÖBEL**

---

# K502

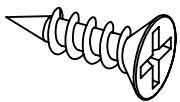
---





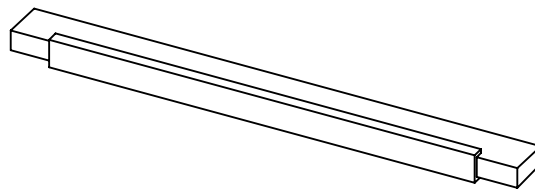
## K502

E700020



8x 3,5 x 13

E710363



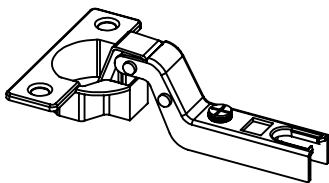
2x

E700200



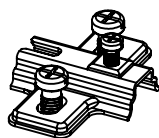
4x 3,9 x 32

E705028



4x Kr.15

E705066



4x

MEDIA

OFFICE

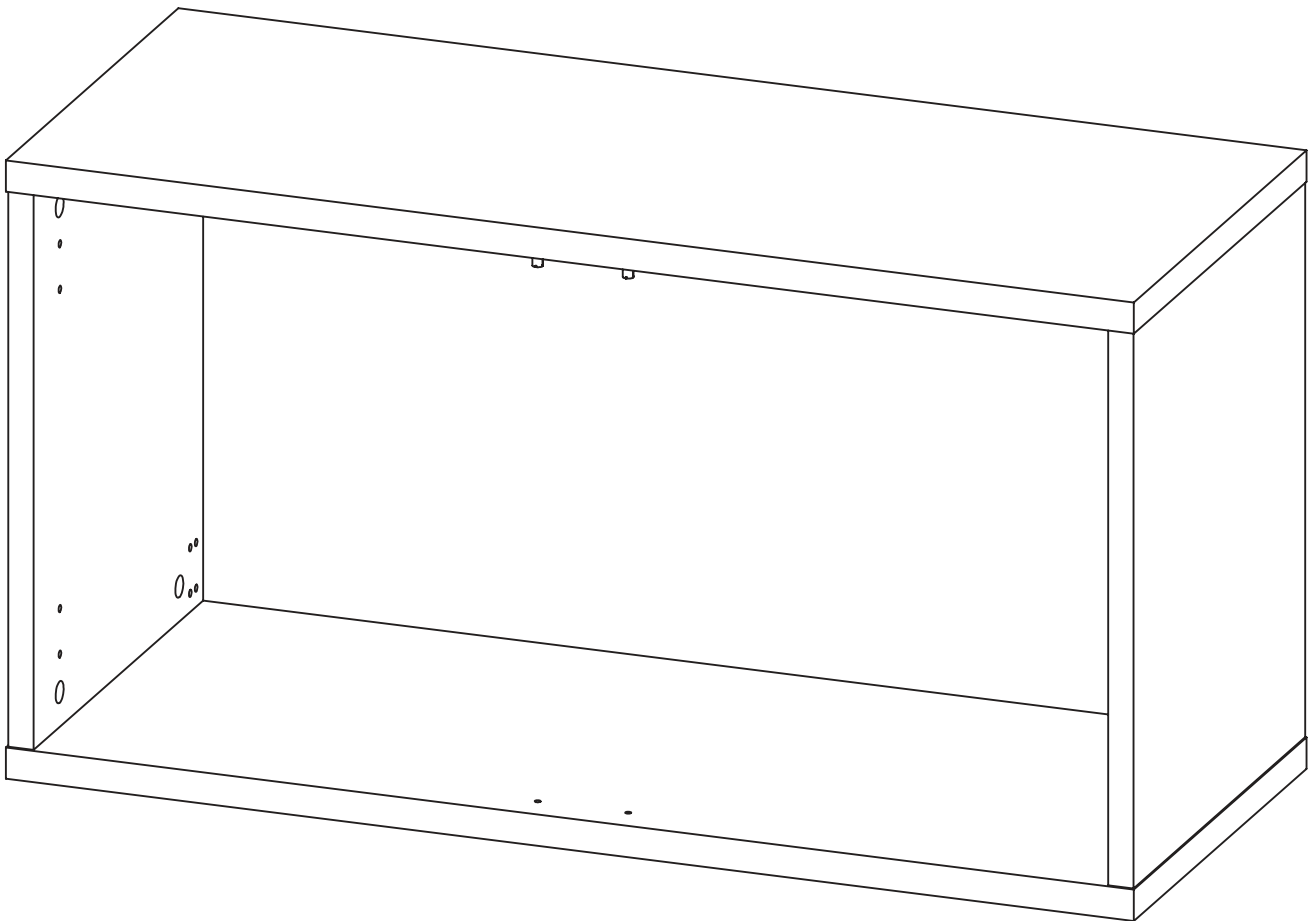
LIVING

MAJA  
MÖBEL

---

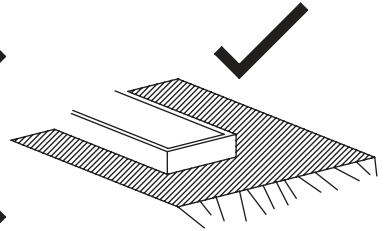
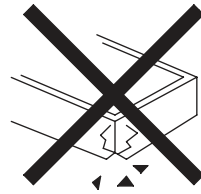
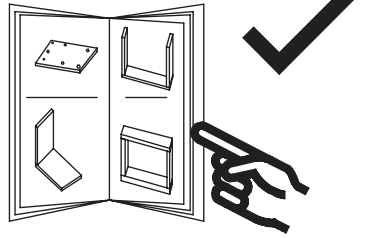
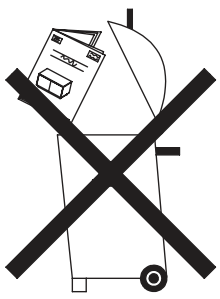
# 1728

---



16.12.2019

maja-moebel.de

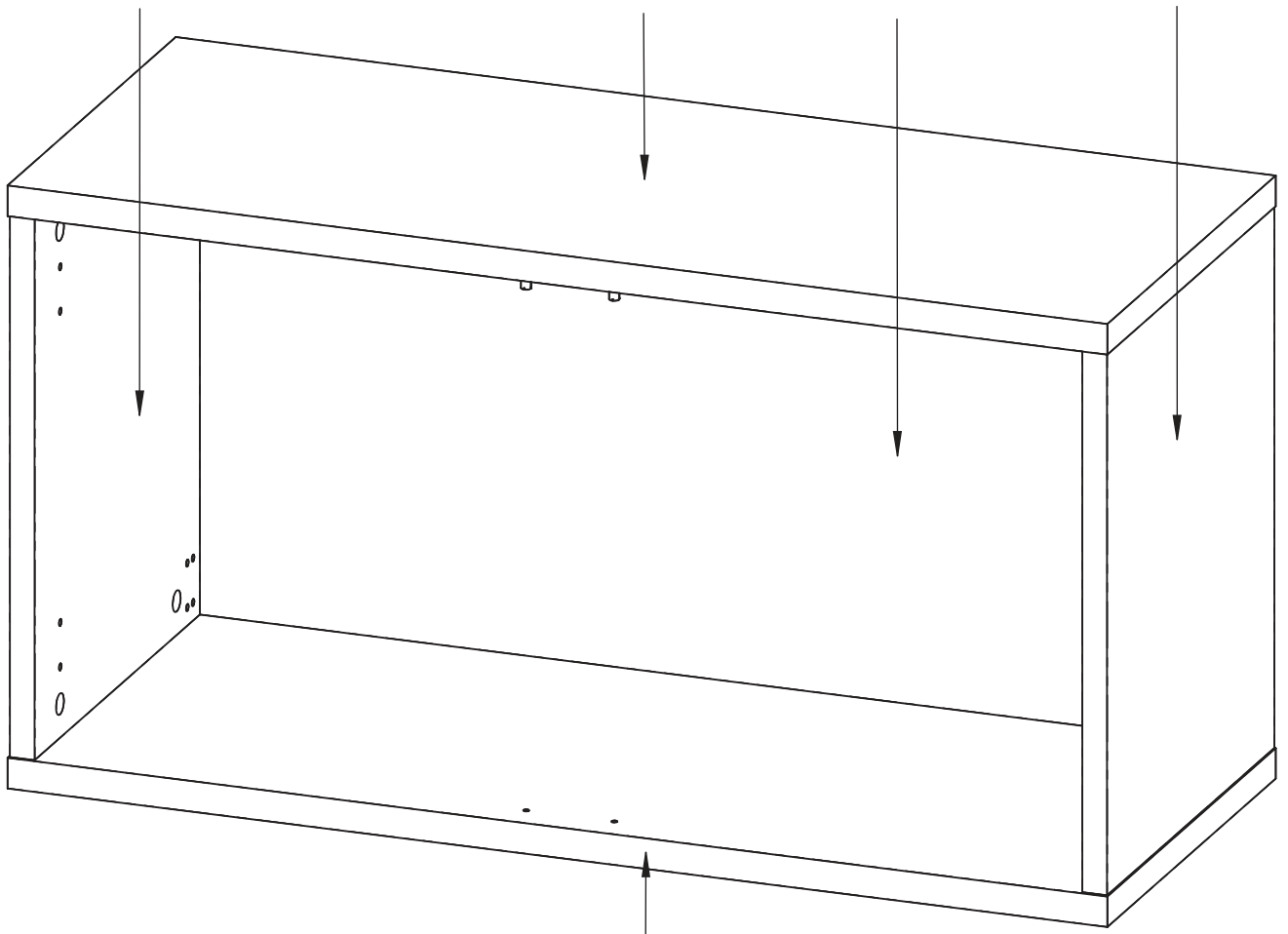


00.177

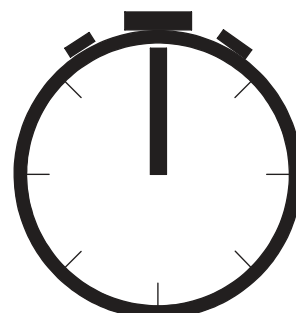
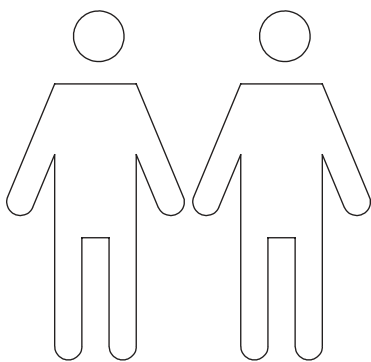
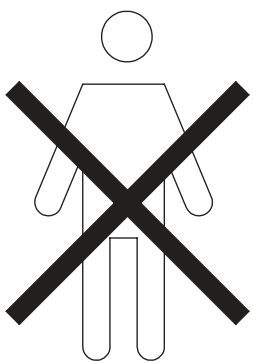
14.328

28.293

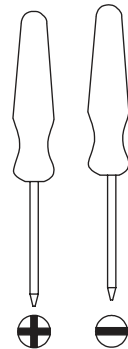
00.177



14.328



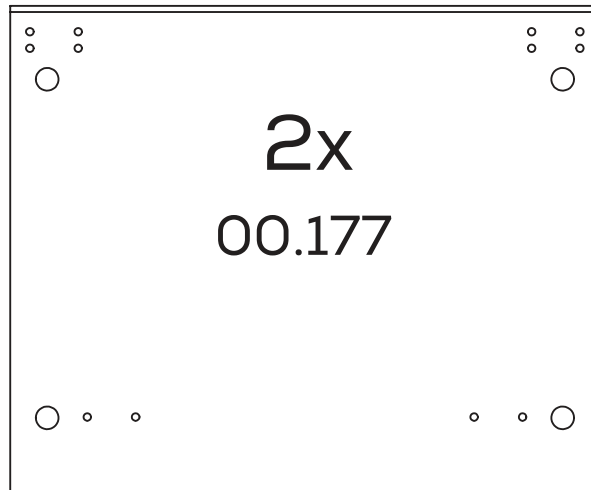
45 min



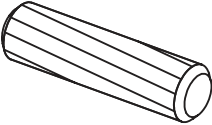

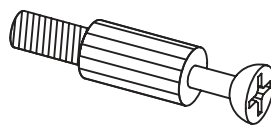
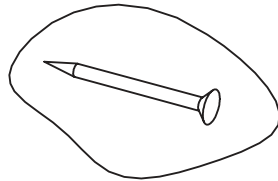
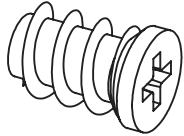
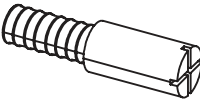
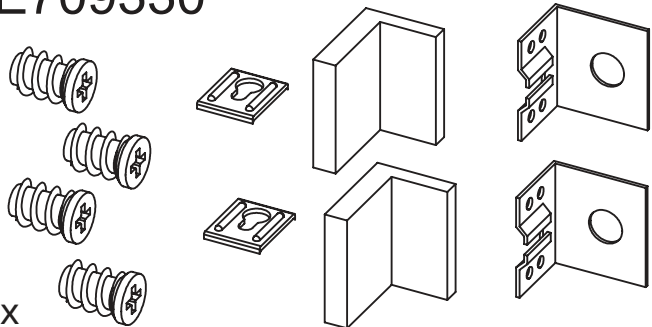
16.12.2019

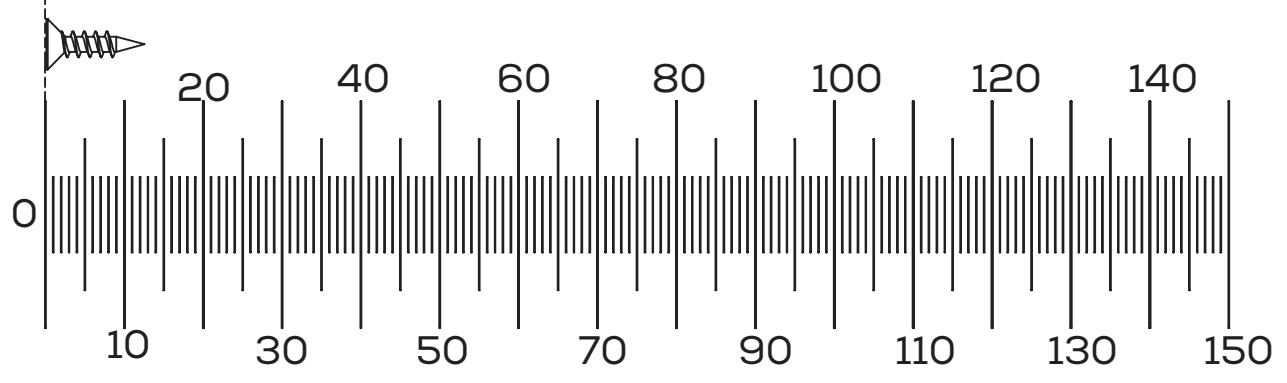
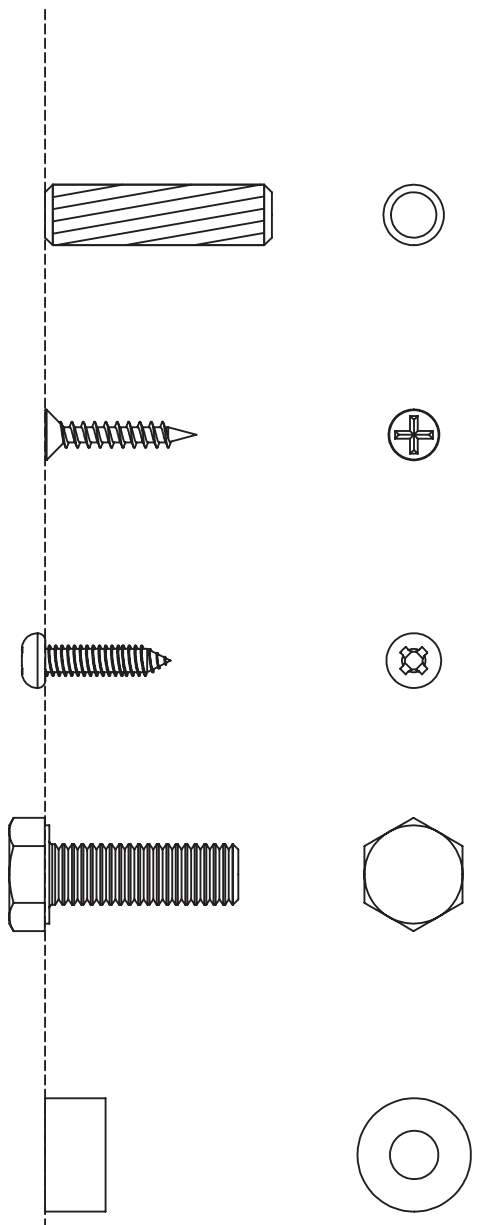
1

maja-moebel.de

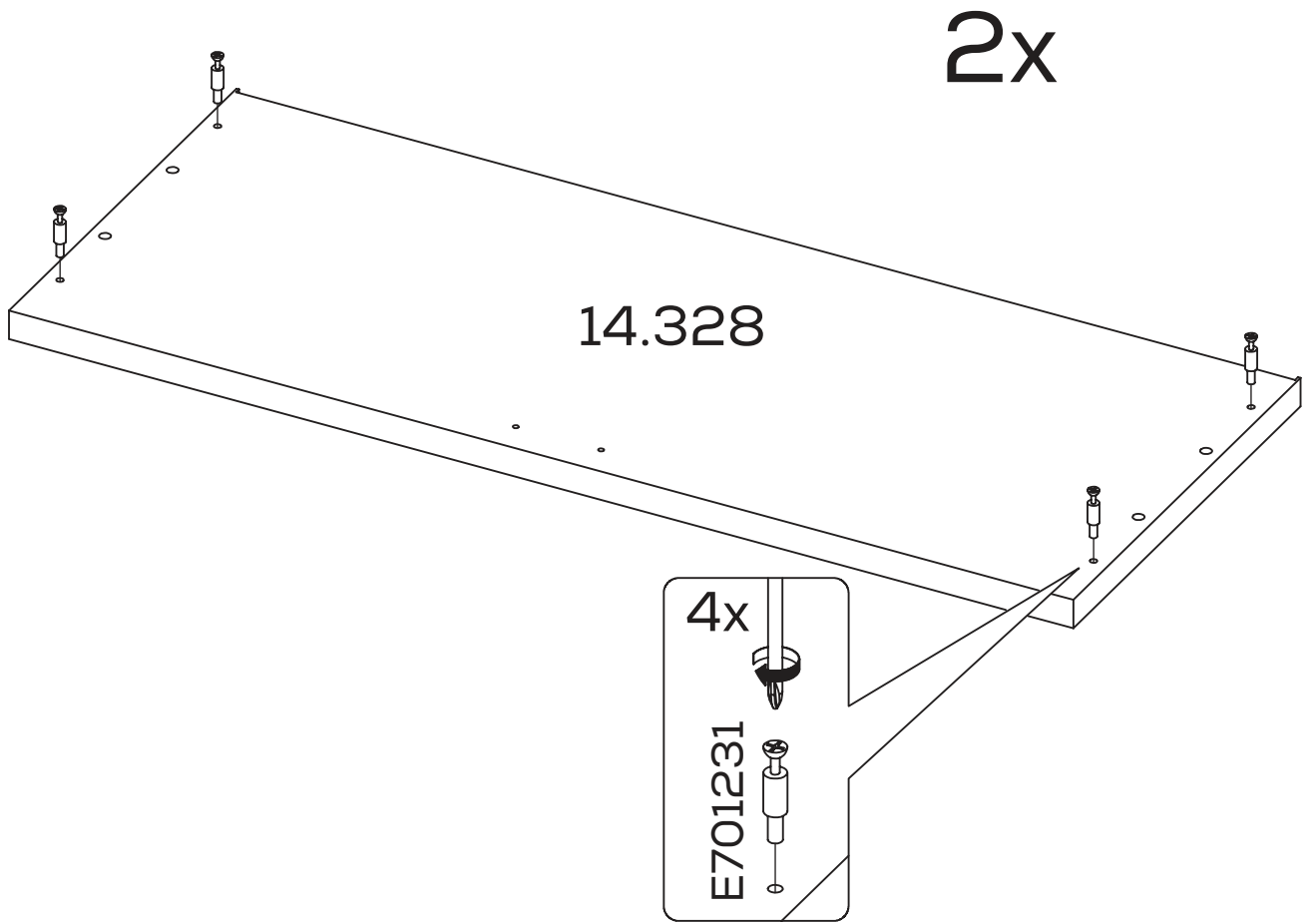


# K620

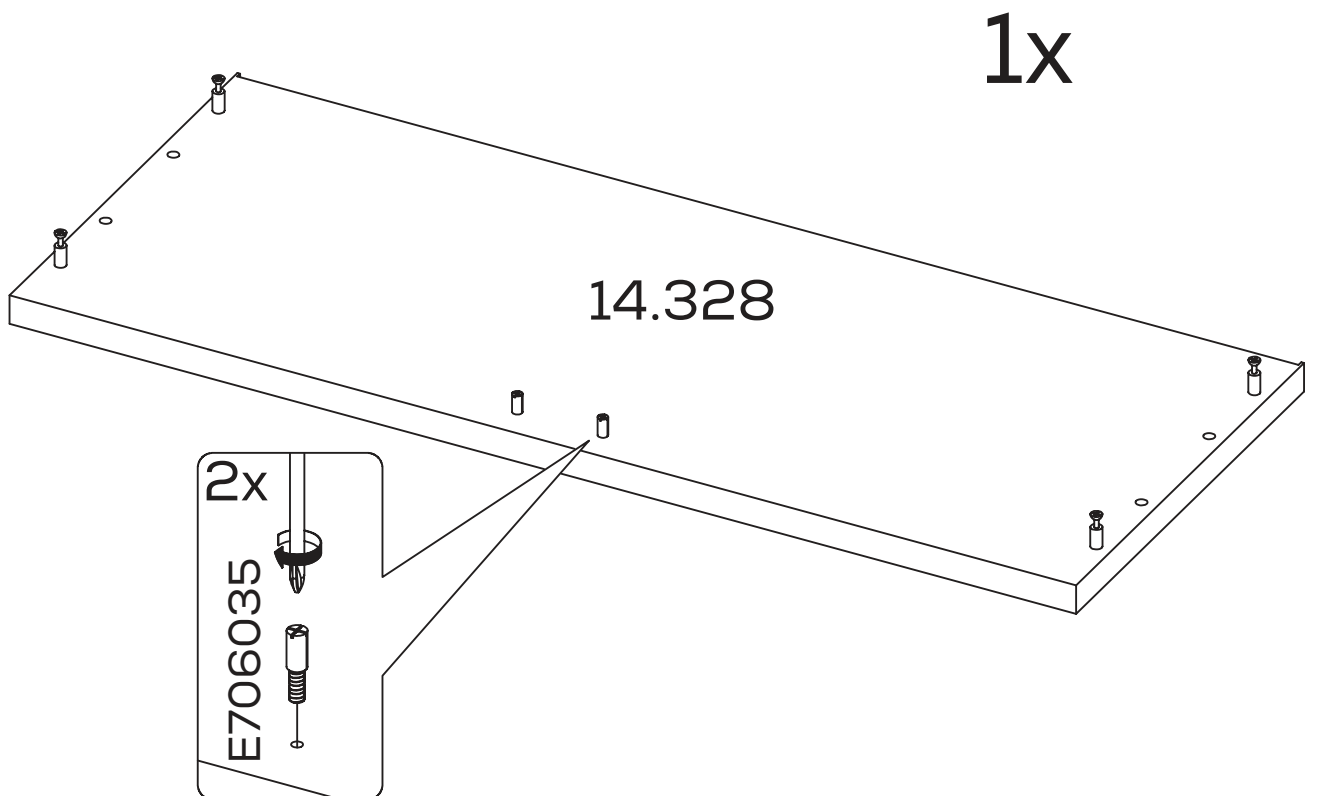
<p>E701000</p>  <p>8x</p>	<p>E701153</p>  <p>8x</p>	<p>E701231</p>  <p>8x</p>	<p>E700904</p>  <p>15x</p>
<p>E700140</p>  <p>4x    6,3 x 13</p>	<p>E706035</p>  <p>2x</p>	<p>E709330</p>  <p>1x</p>	



1

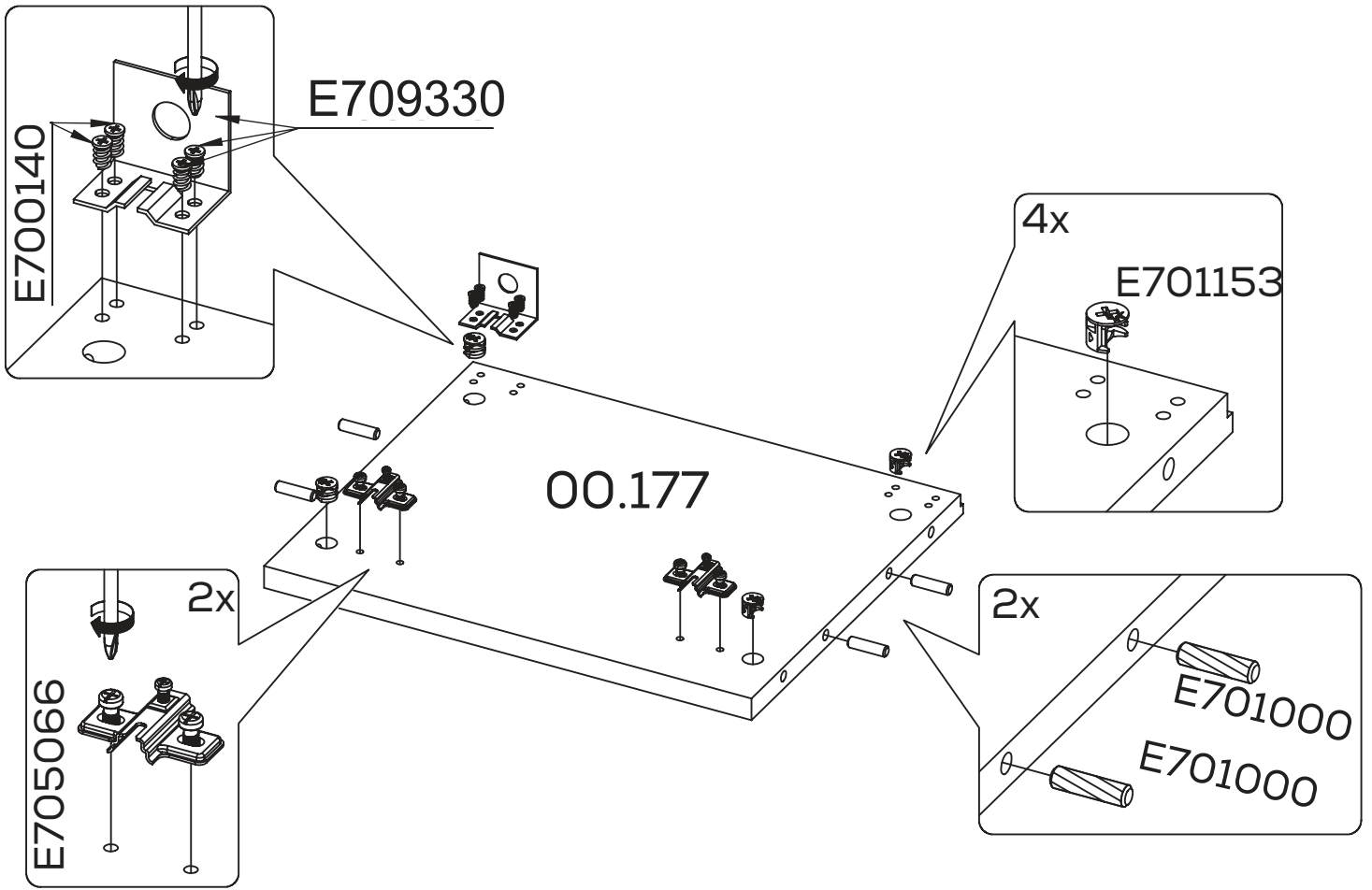


2

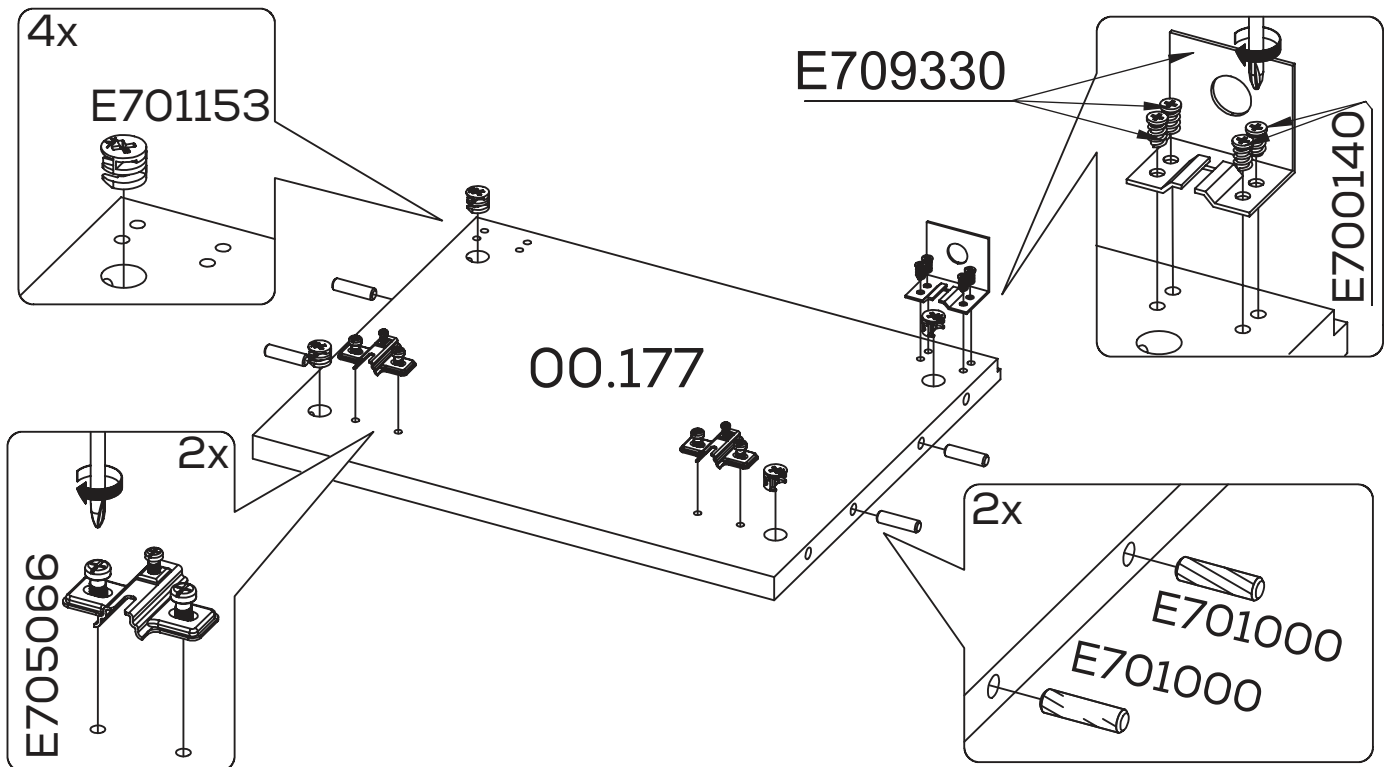




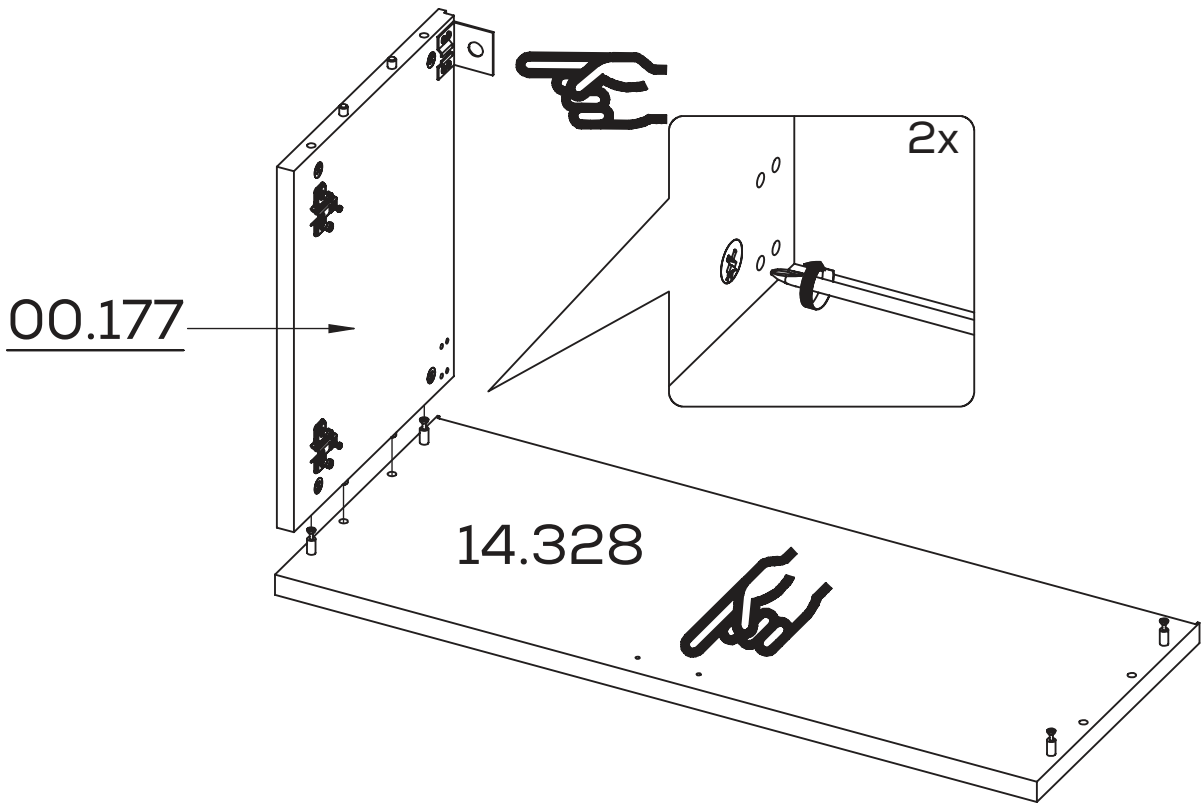
3



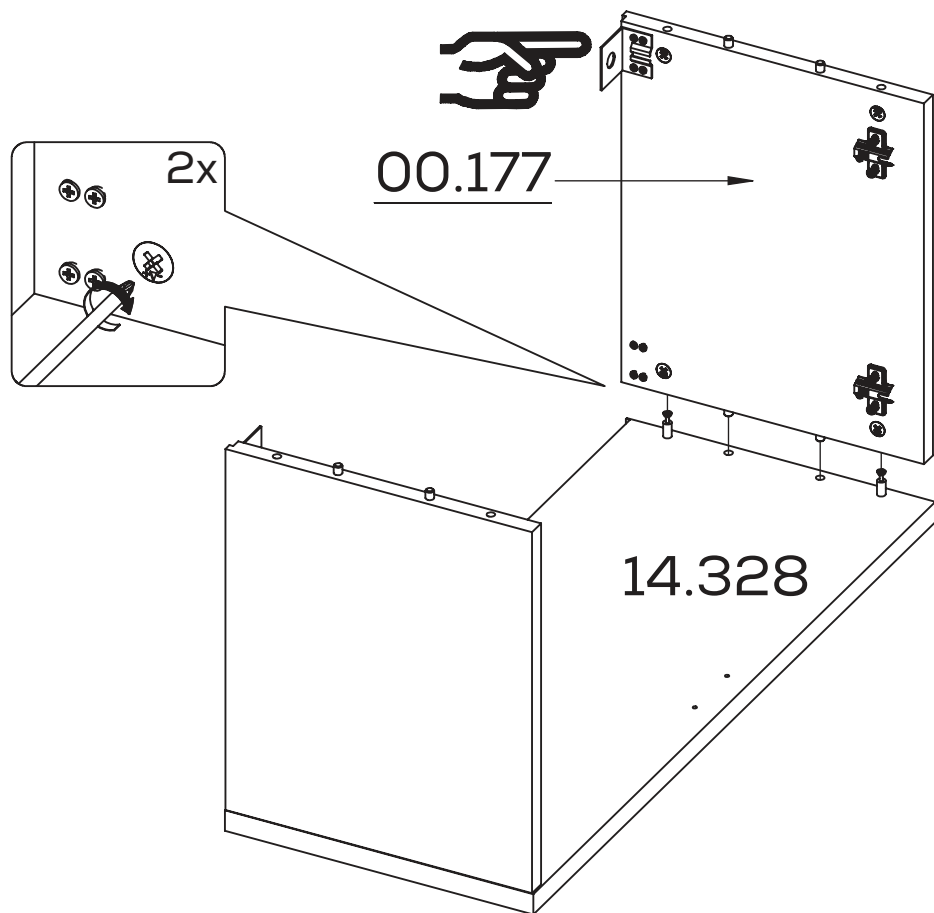
4



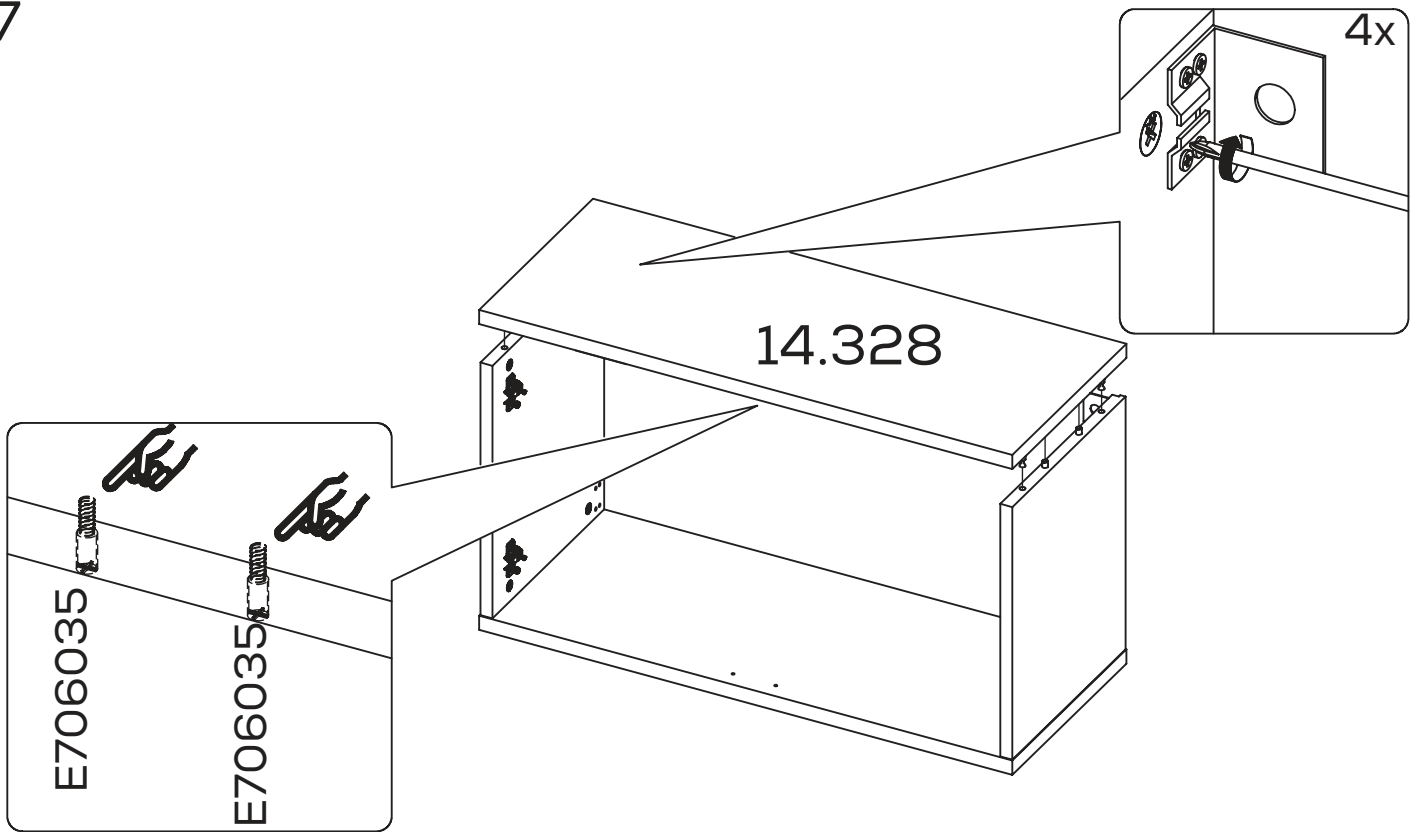
5



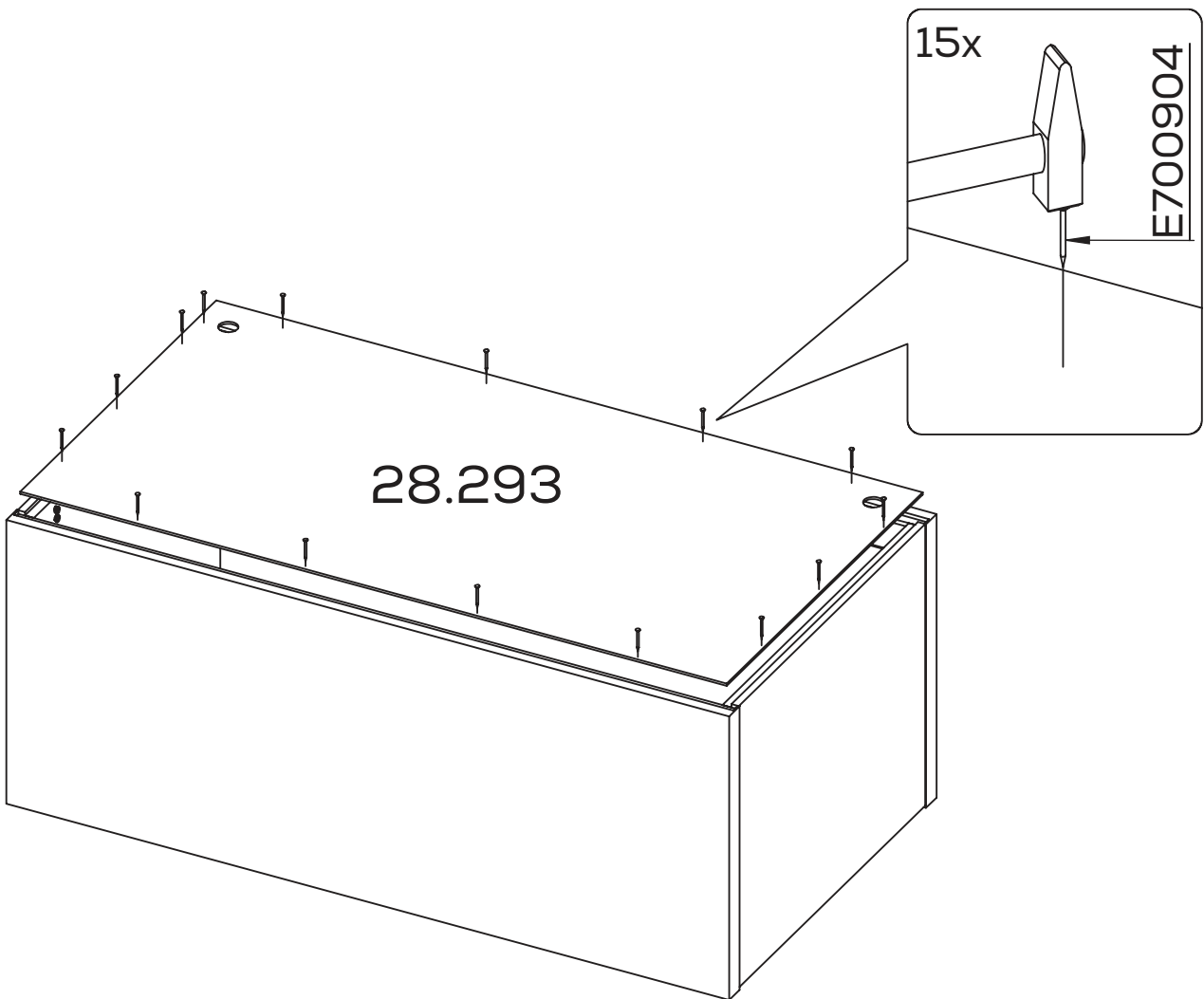
6



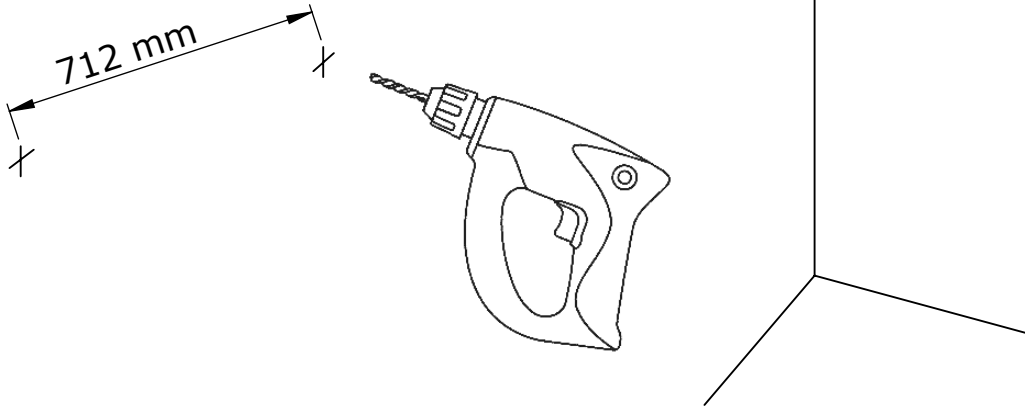
7



8

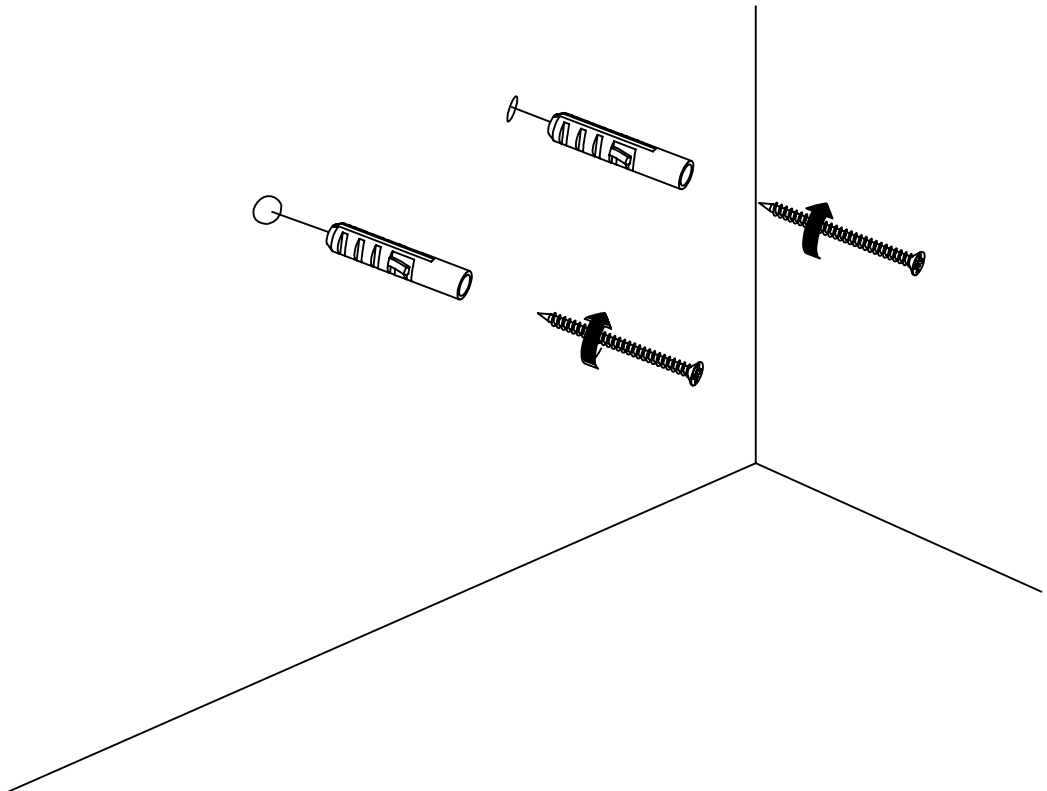


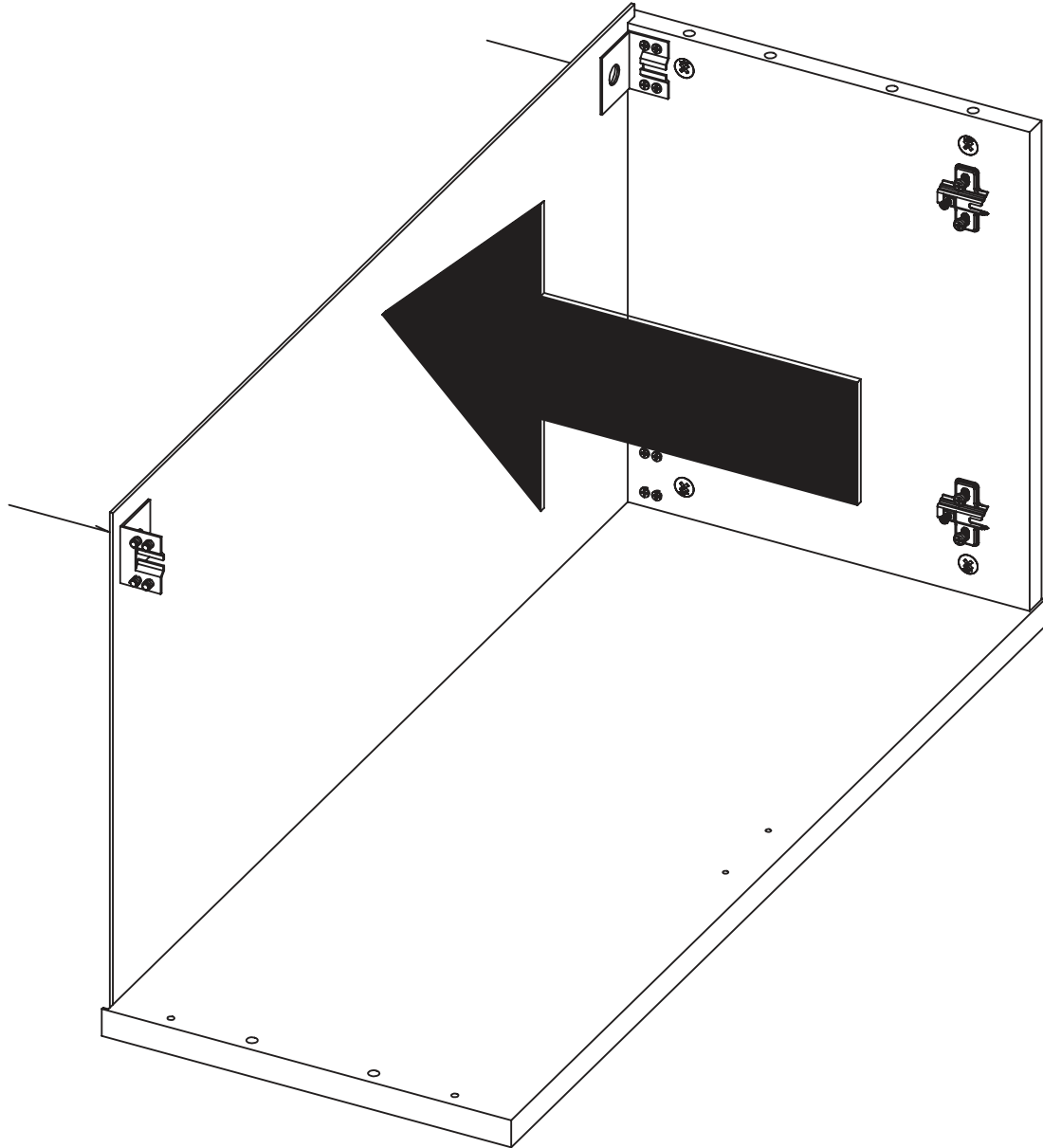
9

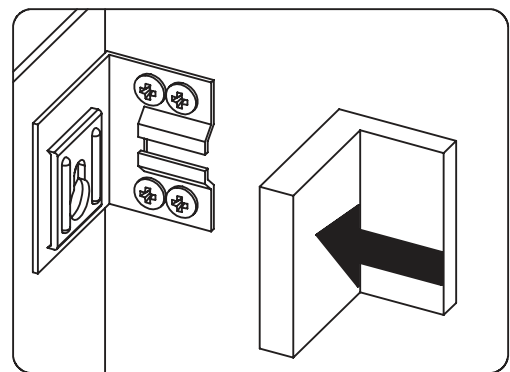
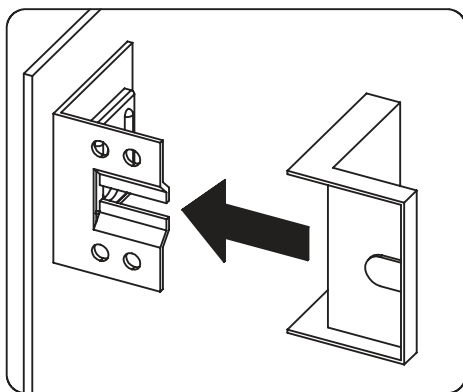
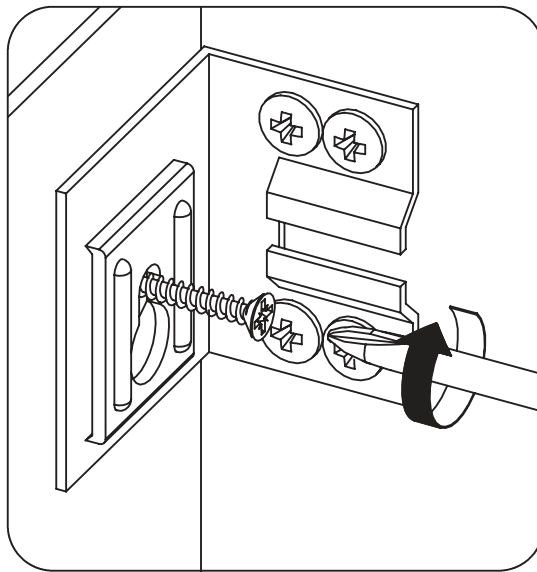
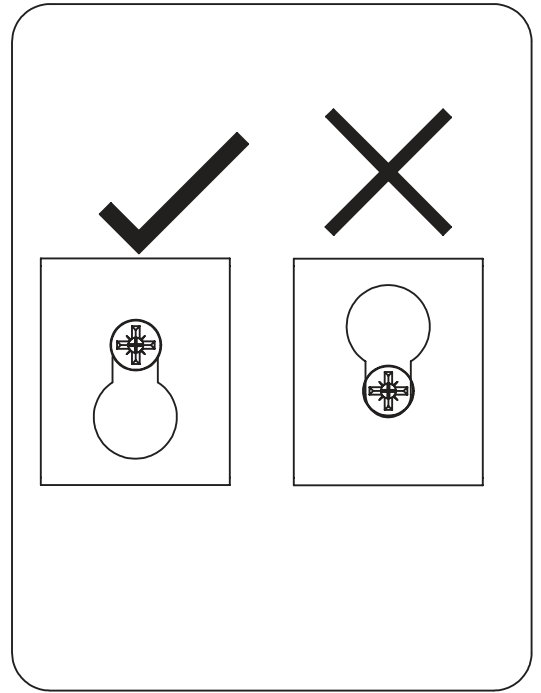
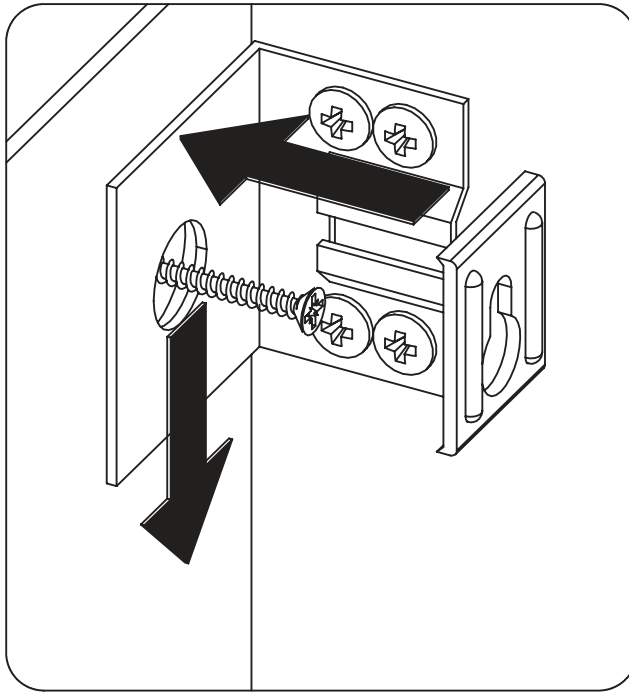


 <p>A warning icon consisting of an exclamation mark inside a triangle. Below it is another warning icon showing a person standing next to a rectangle with diagonal lines through it, indicating a heavy or sharp object.</p>	<p>1</p> <p>Three different types of wall panels: a brick-patterned panel, a perforated panel, and a slatted panel. Each panel is followed by a question mark.</p>	<p>2</p> <p>A shopping cart filled with various hardware items: a screw, a bolt, a nut, a washer, and a drill bit. A question mark is placed above the cart.</p>	<p>3</p> <p>A power drill with a double-flute bit.</p> <p>4</p> <p>Two screws and a screwdriver.</p>
---	--	--	--

10

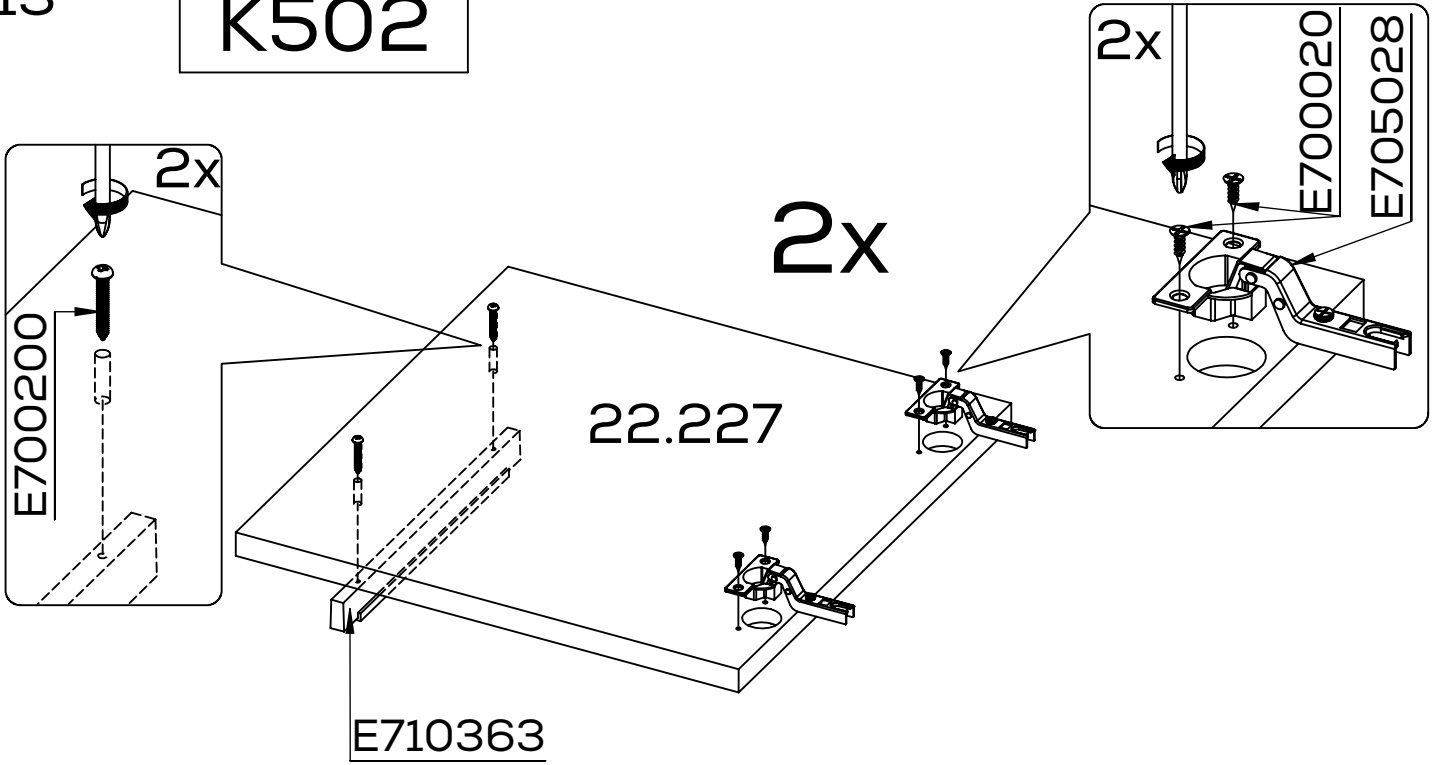






13

K502



14

